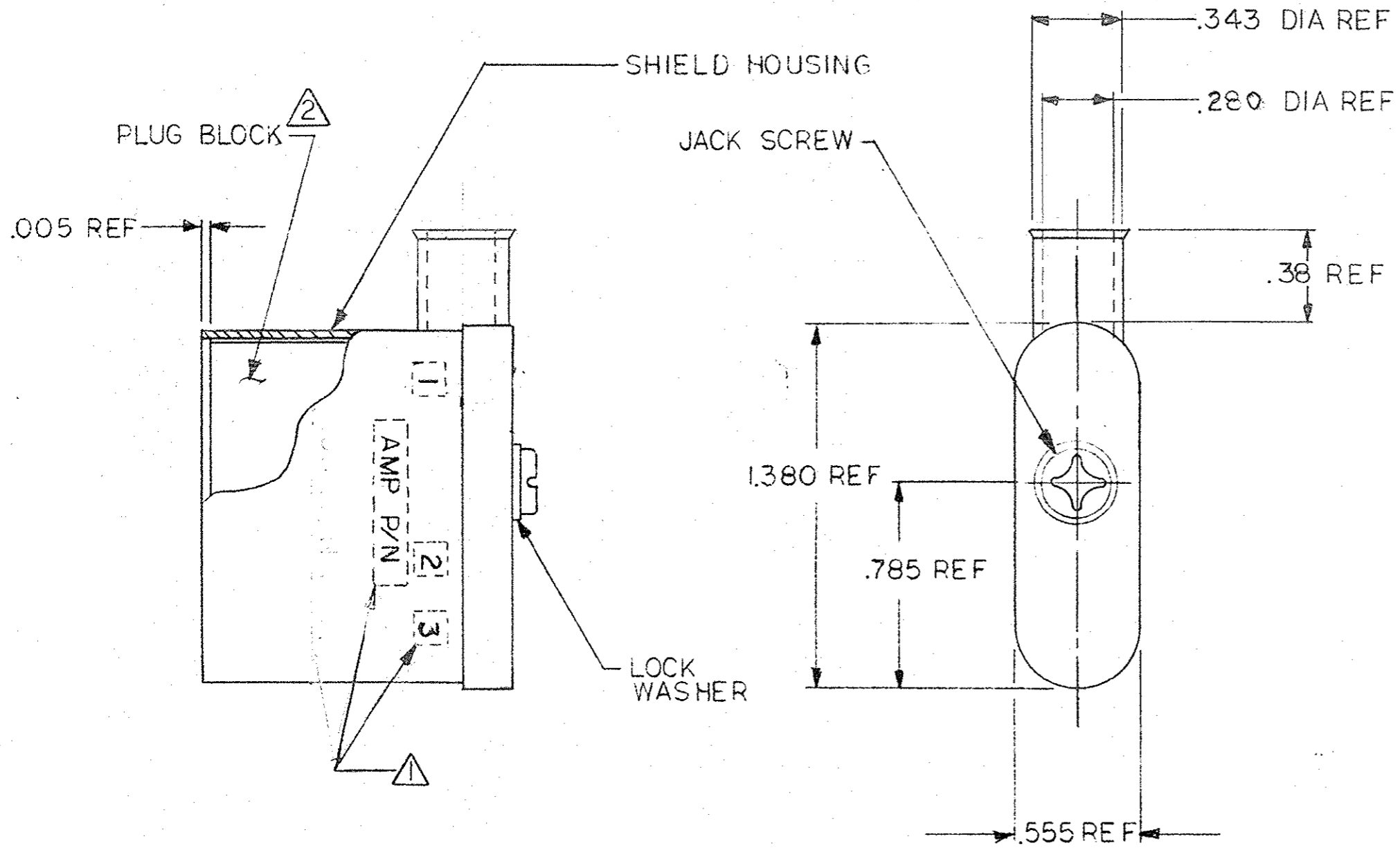
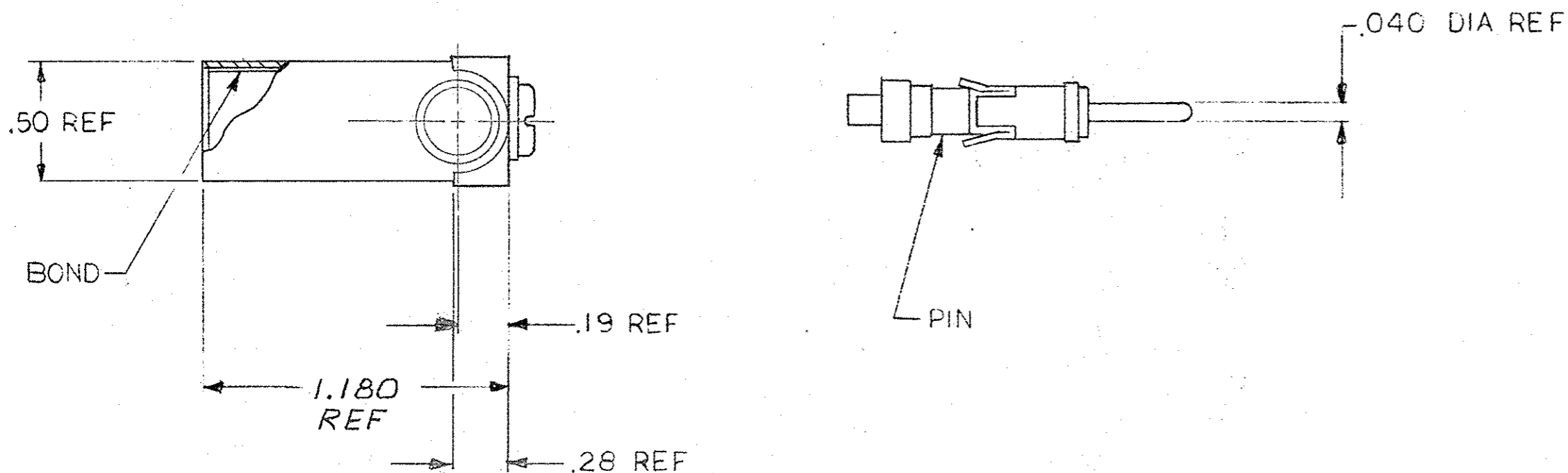


THIS DRAWING IS UNPUBLISHED. RELEASED FOR PUBLICATION, 19
 © COPYRIGHT 19 BY AMP INCORPORATED, HARRISBURG, PA. ALL INTERNATIONAL RIGHTS RESERVED. AMP PRODUCTS MAY BE COVERED BY U.S. AND FOREIGN PATENTS AND/OR PATENTS PENDING.

REVISIONS						
P	F	ZONE	LTR	DESCRIPTION	DATE	APPROVED
	✓		F	REDAWN W/CHANGE ECN1296	1-11-85	<i>W.P. Lehman</i>
✓	✓		G	REV; 0600-1066-93	CT 12-93	SG
			H	REV PER ECO-07-000501	PY 1-22-07	<i>D. Edy</i>



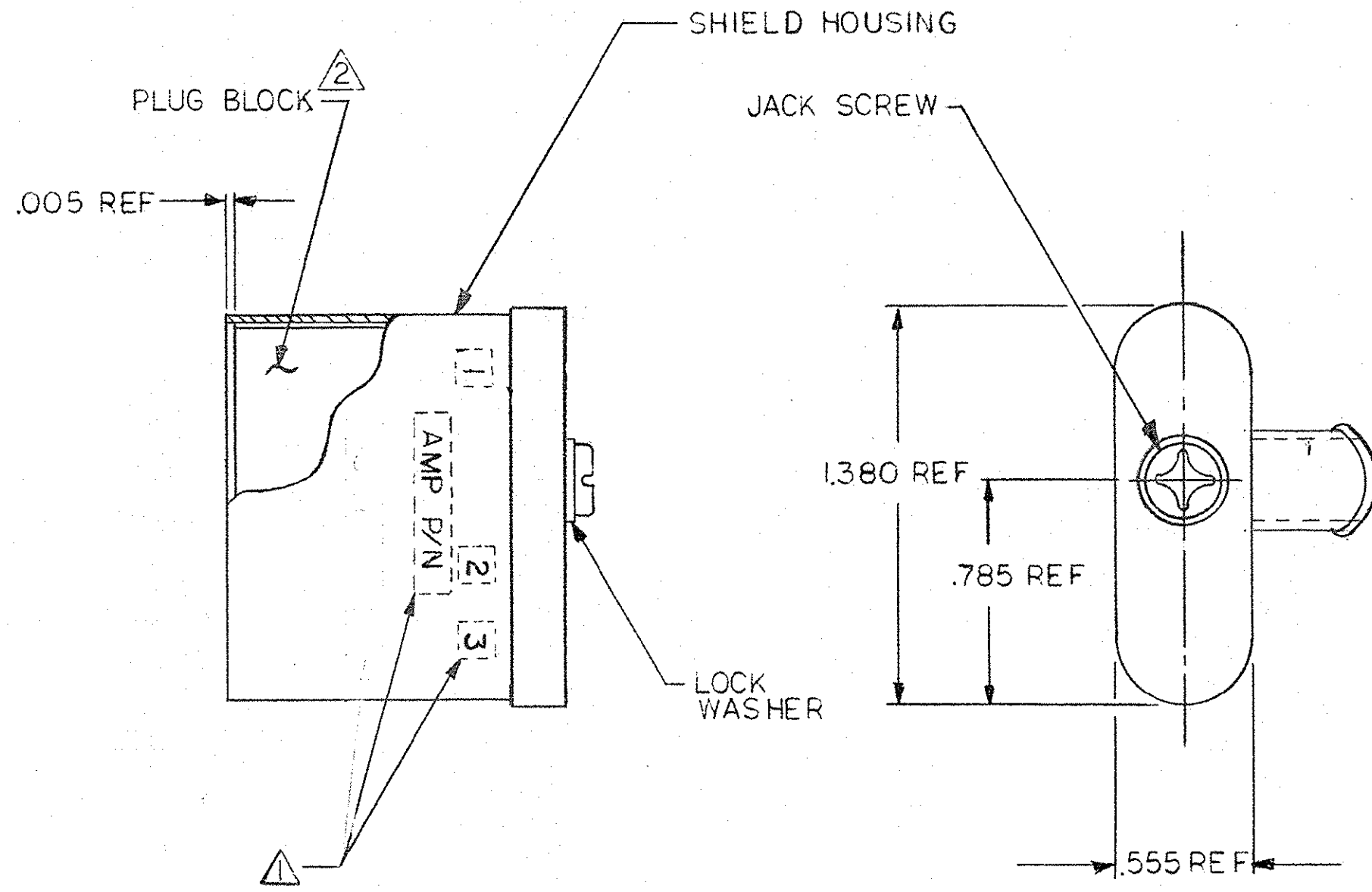
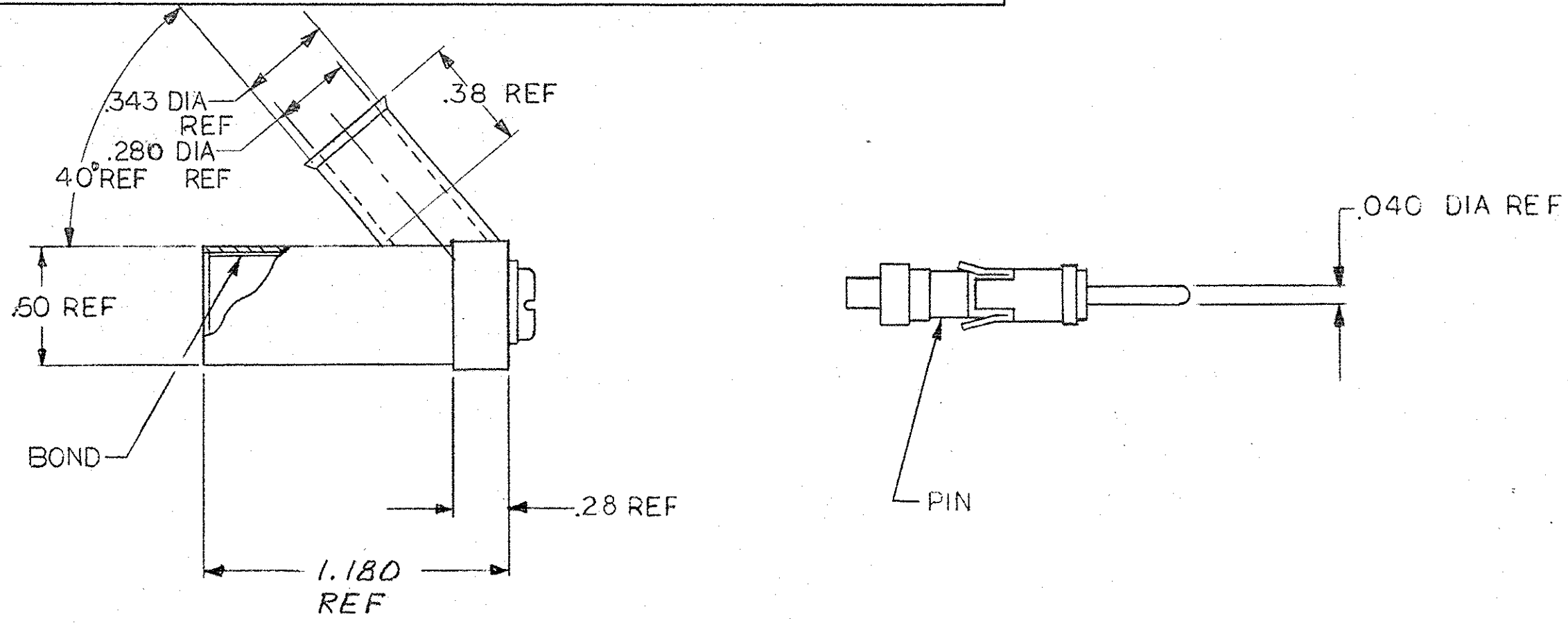
- 1 MARK IN THE AREA INDICATED PER MIL-STD-130 INCLUDING PIN LOCATION I.D. NUMBERS, 3331, P/N 1074.
- 2 THE PLUG-BLOCK AND SHIELD HOUSING ARE BONDED AT ASSY.
- 3 THE ASSEMBLED PLUG-BLOCK AND SHIELD HOUSING SHALL BE SEALED IN A PLASTIC BAG WITH A BAGGED SET OF THREE PINS FOR SHIPMENT AFTER FINAL INSPECTION.

AMP P/N 3331-1074

UNLESS OTHERWISE SPECIFIED DIMENSIONS ARE IN INCHES. TOLERANCES ON: DECIMALS ± .02 ANGLES ± .005	CONTRACT NO	AMP AMP INCORPORATED Harrisburg, Pa. 17105		
	DR. <i>B. Blach</i> 12/14/84			
MATERIAL	CHK <i>W.P. Lehman</i> 1-9-85	NAME THREE PIN PLUG ASSY KIT		
FINISH	APPD <i>D. CROWLEY</i> 1-9-85	SIZE C	FSCM NO 00779	DRAWING NO 848710
	OTHER APPD	SCALE NTS		REV H
				SHEET 1 OF 2

THIS DRAWING IS UNPUBLISHED. RELEASED FOR PUBLICATION, 19
 © COPYRIGHT 19 BY AMP INCORPORATED, HARRISBURG, PA. ALL INTERNATIONAL RIGHTS RESERVED. AMP PRODUCTS MAY BE COVERED BY U.S. AND FOREIGN PATENTS AND/OR PATENTS PENDING.

REVISIONS						
P	F	ZONE	LTR	DESCRIPTION	DATE	APPROVED
		F		REDAWN W/CHANGE ECN1296	1/11/85	<i>W.D. Robinson</i>
SEE SHEET # 1						



- 1 MARK IN THE AREA INDICATED PER MIL-STD-130 INCLUDING PIN LOCATION I.D. NUMBERS, (SEE TABLE)
- 2 THE PLUG-BLOCK AND SHIELD HOUSING ARE BONDED AT ASSY.
- 3 THE ASSEMBLED PLUG-BLOCK AND SHIELD HOUSING SHALL BE SEALED IN A PLASTIC BAG WITH A BAGGED SET OF THREE PINS FOR SHIPMENT AFTER FINAL INSPECTION.

AMP P/N	ST. P/N	REV.
6-8410-2	373117-04	

UNLESS OTHERWISE SPECIFIED DIMENSIONS ARE IN INCHES. TOLERANCES ON: DECIMALS ± .02 ANGLES ± .005	CONTRACT NO	AMP AMP INCORPORATED Harrisburg, Pa. 17105			
	DR. <i>B. Hech</i> 12/14/84				
MATERIAL	CHK. <i>W.D. Robinson</i> 1-9-85	NAME			
FINISH	APPD. <i>D. CROWLEY</i> 1-9-85	THREE PIN PLUG ASSY KIT			
	OTHER APPD	SIZE	FSCM NO	DRAWING NO	REV
		C	00779	848710	H
		SCALE	SHEET		2 OF 2
		NTS			