

SPECIFICATION

Part No.	:	OMB.242.08F21
Product Name	:	Barracuda - Omni-Directional Outdoor Antenna 2.4 - 2.5 GHz 8dBi
Features	:	Excellent Radiation Patterns Lightweight Installed for vertical polarization Dims 523mm Includes tilt and swivel mast mount RoHS Compliant



1. Introduction

This antenna is professionally designed with the highest industrial quality. The antenna base is aluminum and resists rust. The products have good water resistance.

Great care has been taken in the manufacture and assembly of the internal copper elements so they can bear a high input power.

1.1. Applications

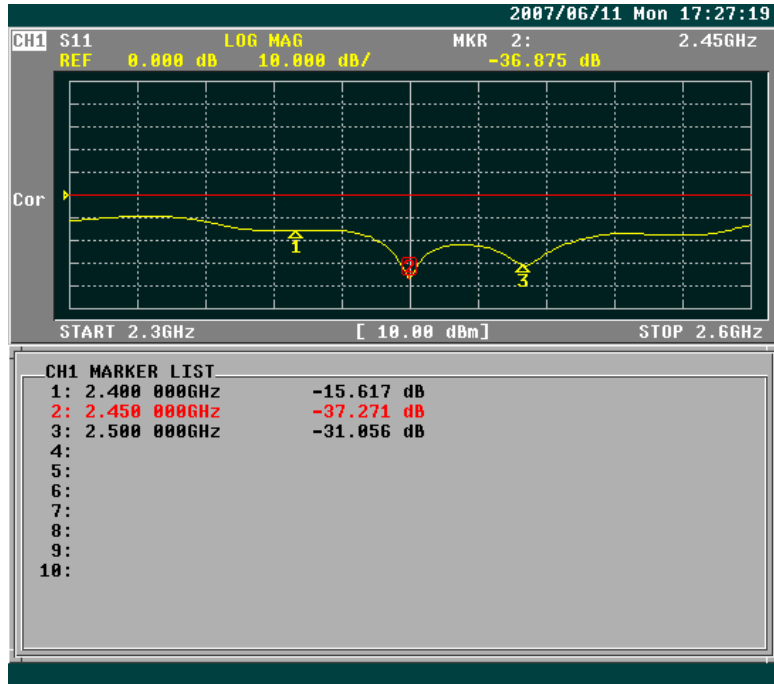
- 2.4 - 2.5 GHz ISM Band
- IEEE 802.11b, 802.11g, 802.11n Wireless LAN
- Directional and multipoint applications
- Bluetooth
- Public Wireless Hotspot
- Wi-Fi, RFID
- Wireless Video Systems

2. Antenna Performance

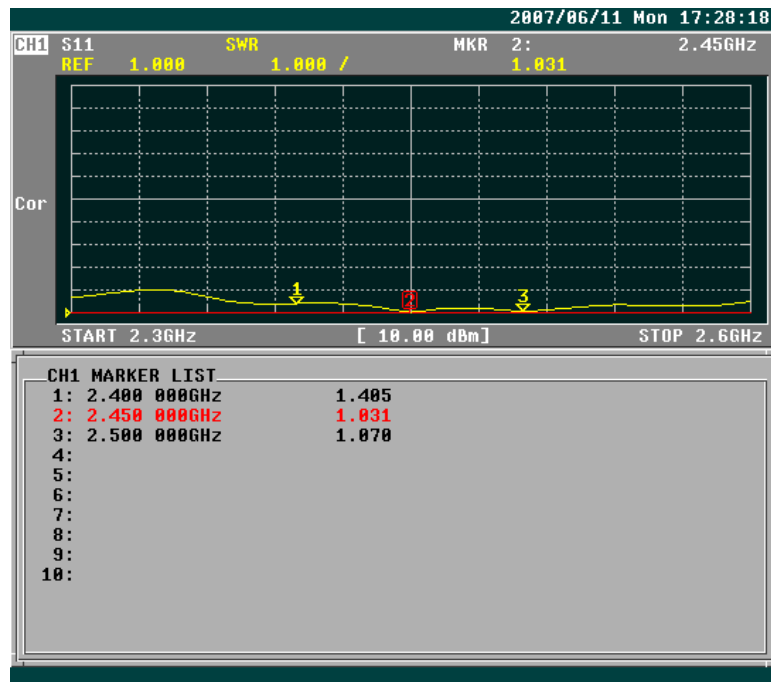
2.1. Electrical Specifications

ELECTRICAL	
Communication System	ISM
Frequency Band	2400 MHz - 2500 MHz
Bandwidth	100MHz
Gain	8.0 dBi
Impedance	50 Ohm
Polarization	Vertical
Max Power Handling	50W
VSWR	≤ 1.3
Vertical Beamwidth	12°
Horizontal Beamwidth	360°
MECHANICAL	
Connector	1 x N Type Female
Connector Location	Bottom
Dimensions (L*W*D)	Length 523mm, Diameter 70mm
Radome Diameter	24mm
Weight (& Mounting Bracket max)	380g
Internal Material	Copper
Radome Material	White Fiberglass
Mounting Options	U-Bolt(Stainless steel)
Mounting	32-45mm Stainless Steel U-Type Screw
ENVIRONMENTAL	
Temperature	-40°C to +80°C
Wind Survival	>150mph

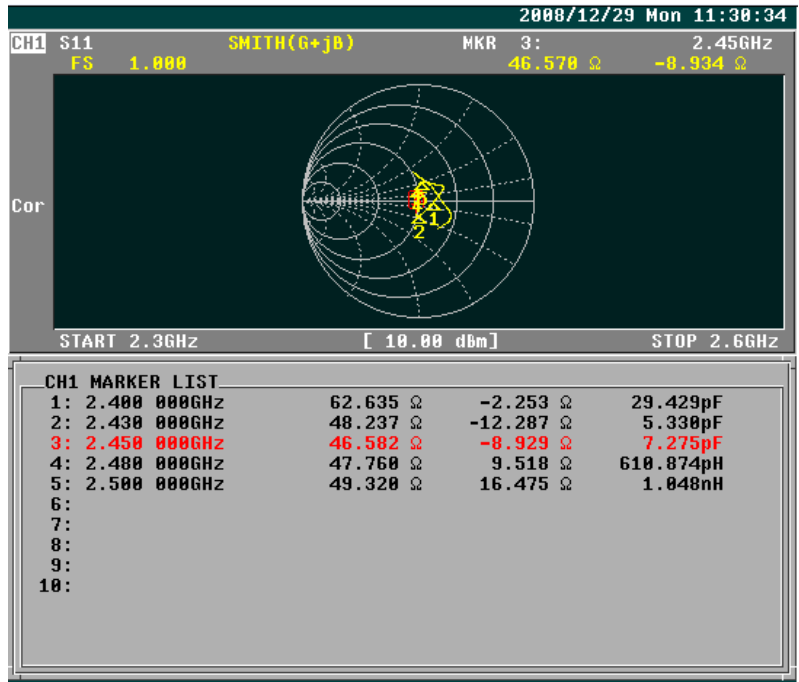
3. Return Loss



4. VSWR



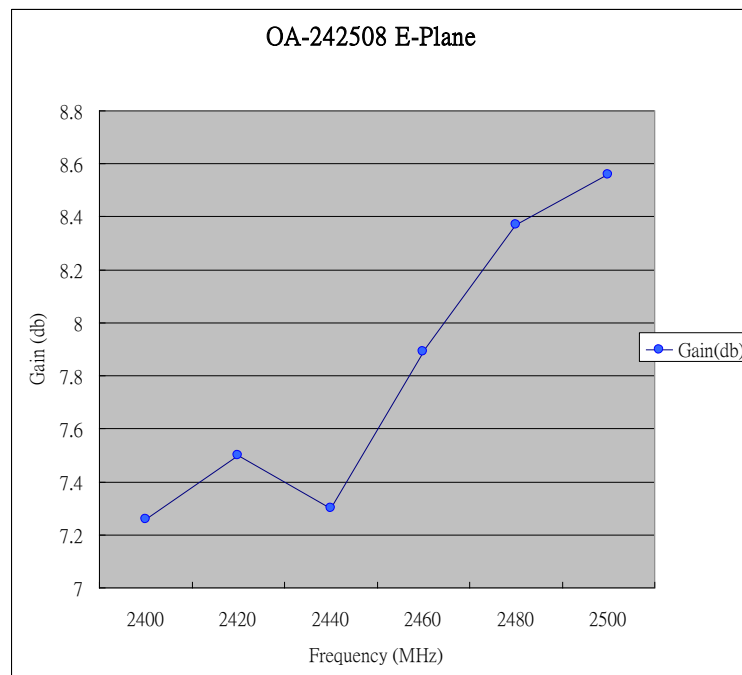
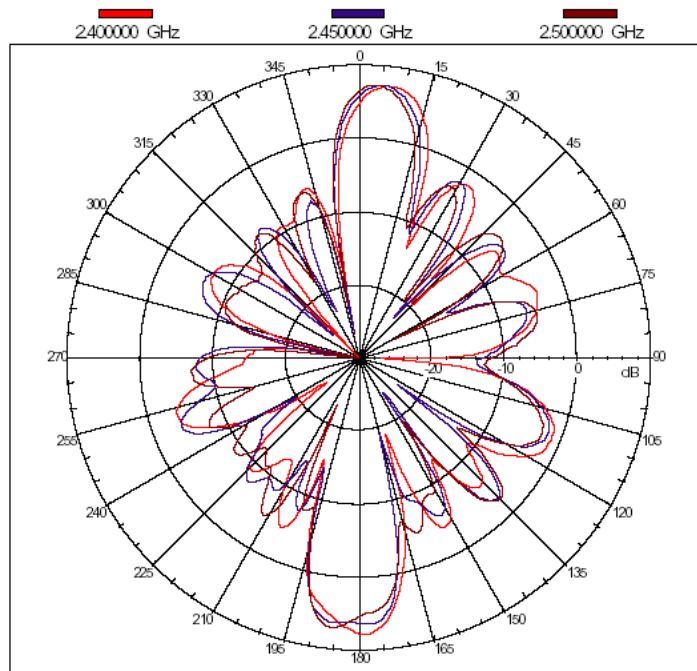
5. Smith Chart



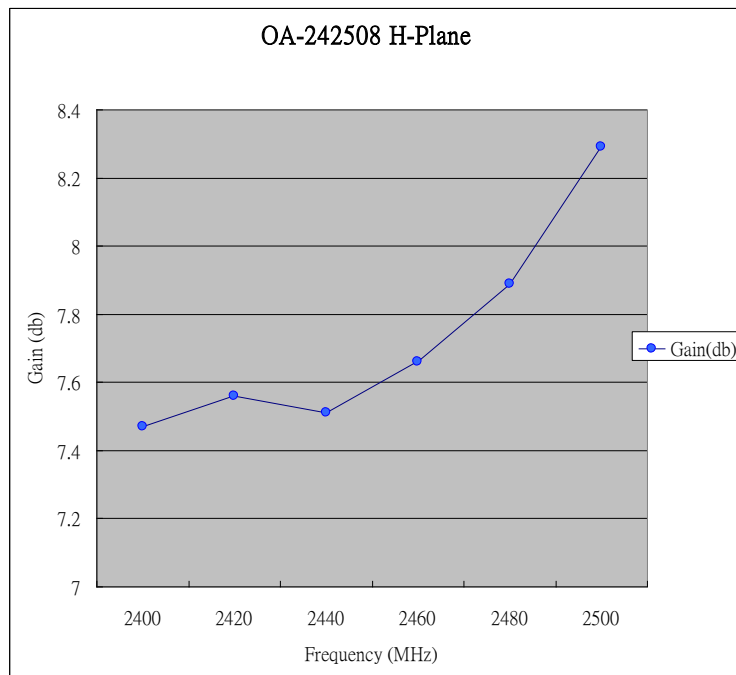
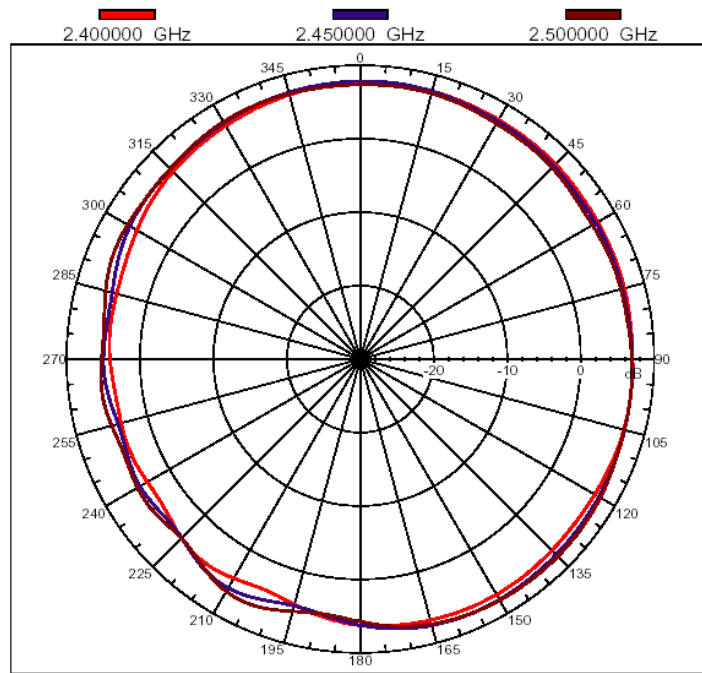
6. Radiation Patterns

Vertical

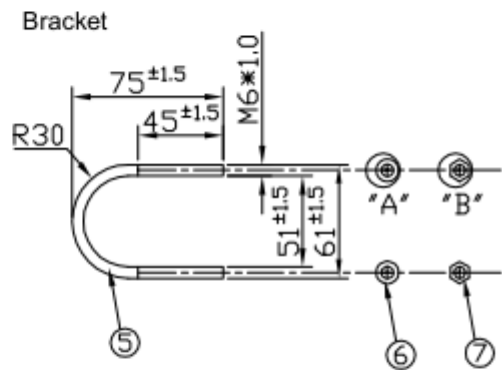
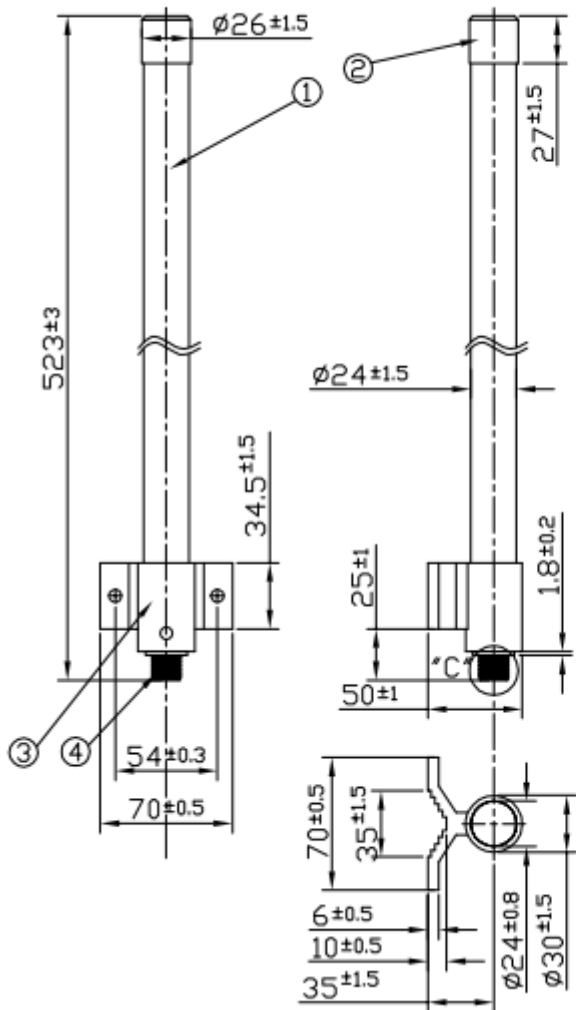
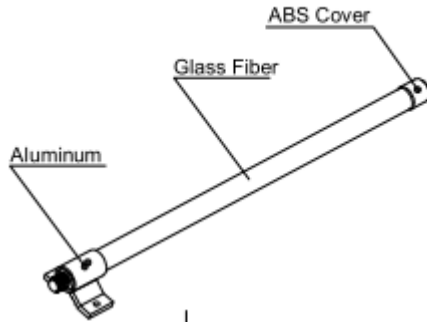
E-plane co-pol ----- 3-dB beam-with=15 Deg



Horizontal
H-plane co-pol ----- 3-dB beam-with=360 Deg

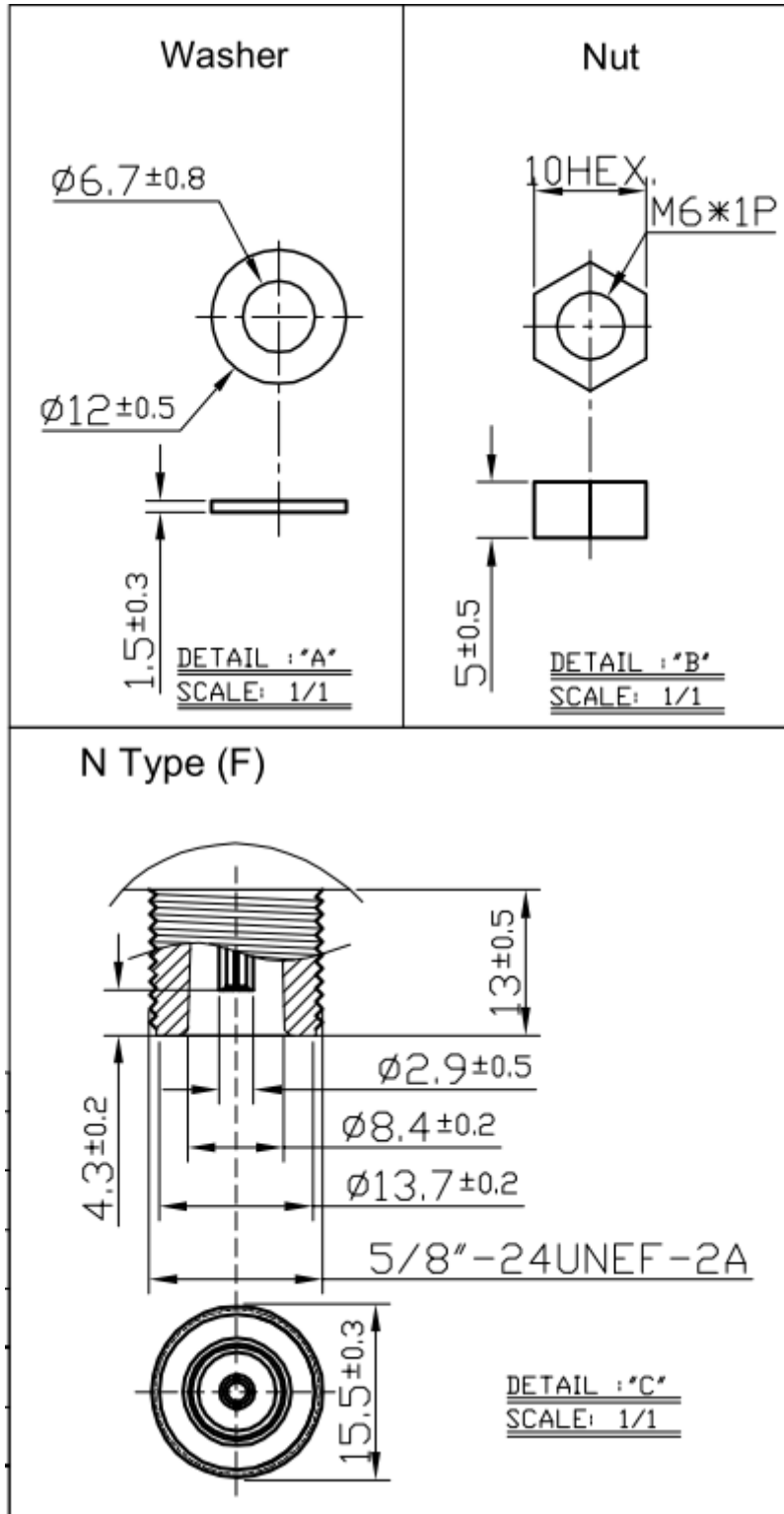


7. Mechanical Drawing

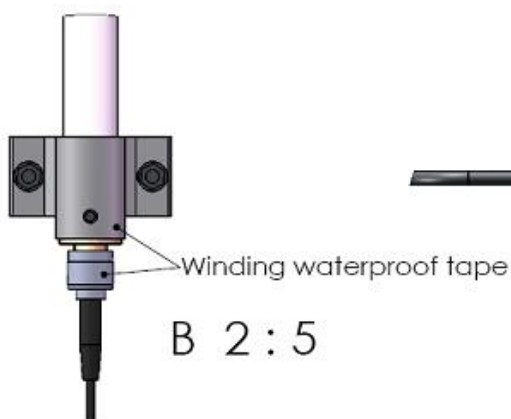
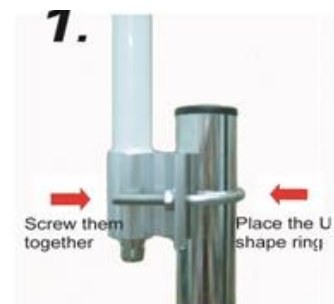
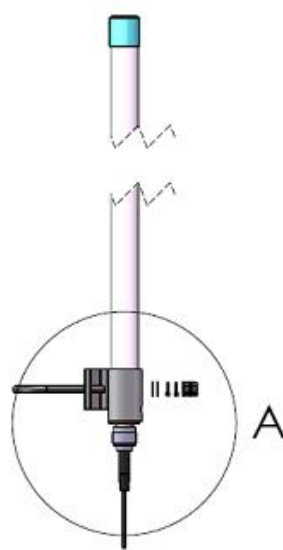
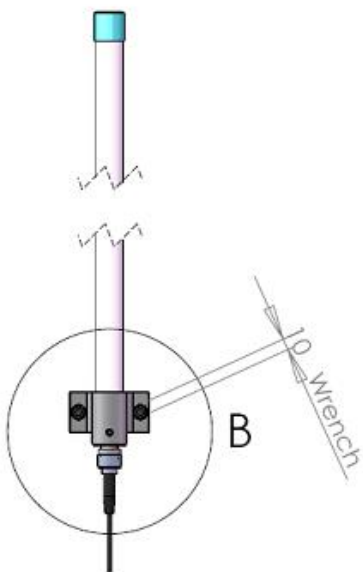


	Name	Material	Finish	QTY
1	OMB.242 Antenna	Glass Fiber	White	1
2	Cover	ABS	Silver	1
3	Holder	Aluminum	Silver	1
4	N Type(F)	Brass	Ni Plated	1
5	M6 U Type Screw	Stainless Steel	Silver	1
6	M6 Washer	Stainless Steel	Silver	2
7	M6 Nut	Stainless Steel	Silver	2

7.1. Connector Drawing



8. Antenna Installation Guide



Taoglas makes no warranties based on the accuracy or completeness of the contents of this document and reserves the right to make changes to specifications and product descriptions at any time without notice. Taoglas reserves all rights to this document and the information contained herein.

Reproduction, use or disclosure to third parties without express permission is strictly prohibited.

Copyright © Taoglas Ltd.