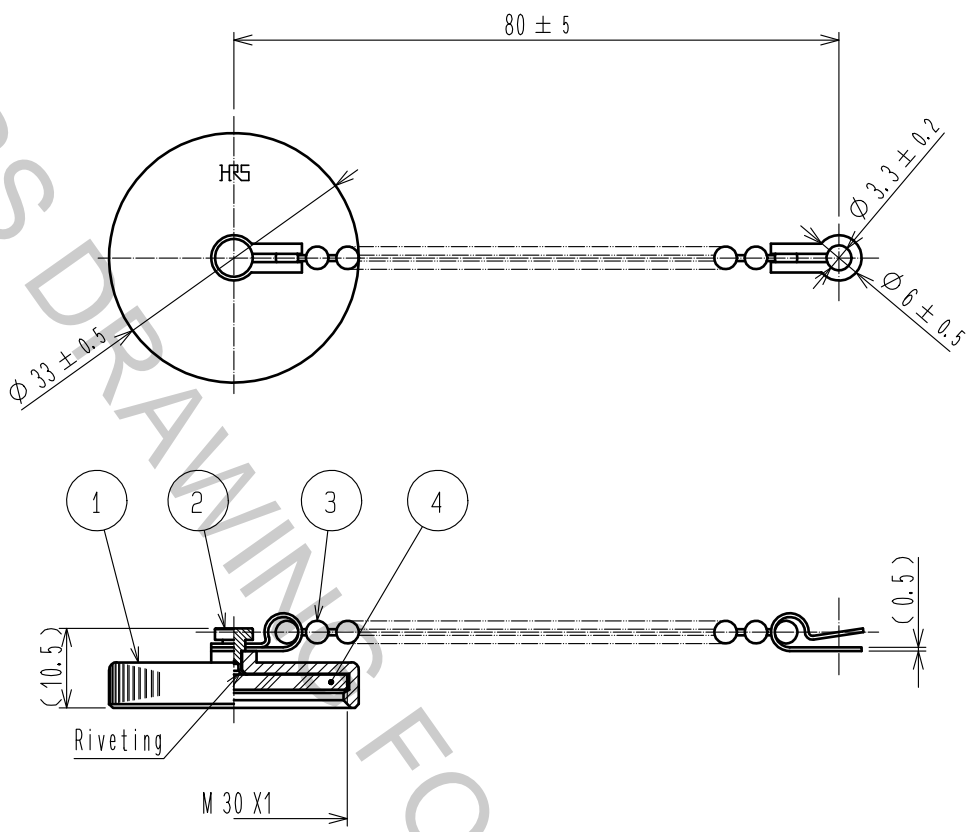


Aug.1.2018 Copyright 2018 HIROSE ELECTRIC CO., LTD. All Rights Reserved.
 In case that the application demands a high level of reliability, such as automotive,
 please contact a company representative for further information.



Note 1. This product is a cap for JR※25WR※-※(※).
 It is applicable regardless of given alphabets and/or numbers shown at ※.

2	Brass	Chrome plating	4	Chloroprene rubber	(Black)		
1	Aluminum alloy	Black chrome plating	3	Brass	Chrome plating		
NO.	MATERIAL	FINISH . REMARKS	NO.	MATERIAL	FINISH . REMARKS		
UNITS mm		SCALE 1 : 1	COUNT 	DESCRIPTION OF REVISIONS	DESIGNED	CHECKED	DATE
HIROSE ELECTRIC CO., LTD.	APPROVED	·HY. KOBAYASHI	18.02.26	DRAWING NO.	EDC-112110-31-00		
	CHECKED	·HY. KOBAYASHI	18.02.26	PART NO.	JRC25WRC(31)		
	DESIGNED	·TH. KAMEYA	18.02.24	CODE NO.	CL114-2156-1-31		
	DRAWN	·MK. INOUE	18.02.14		1/1		