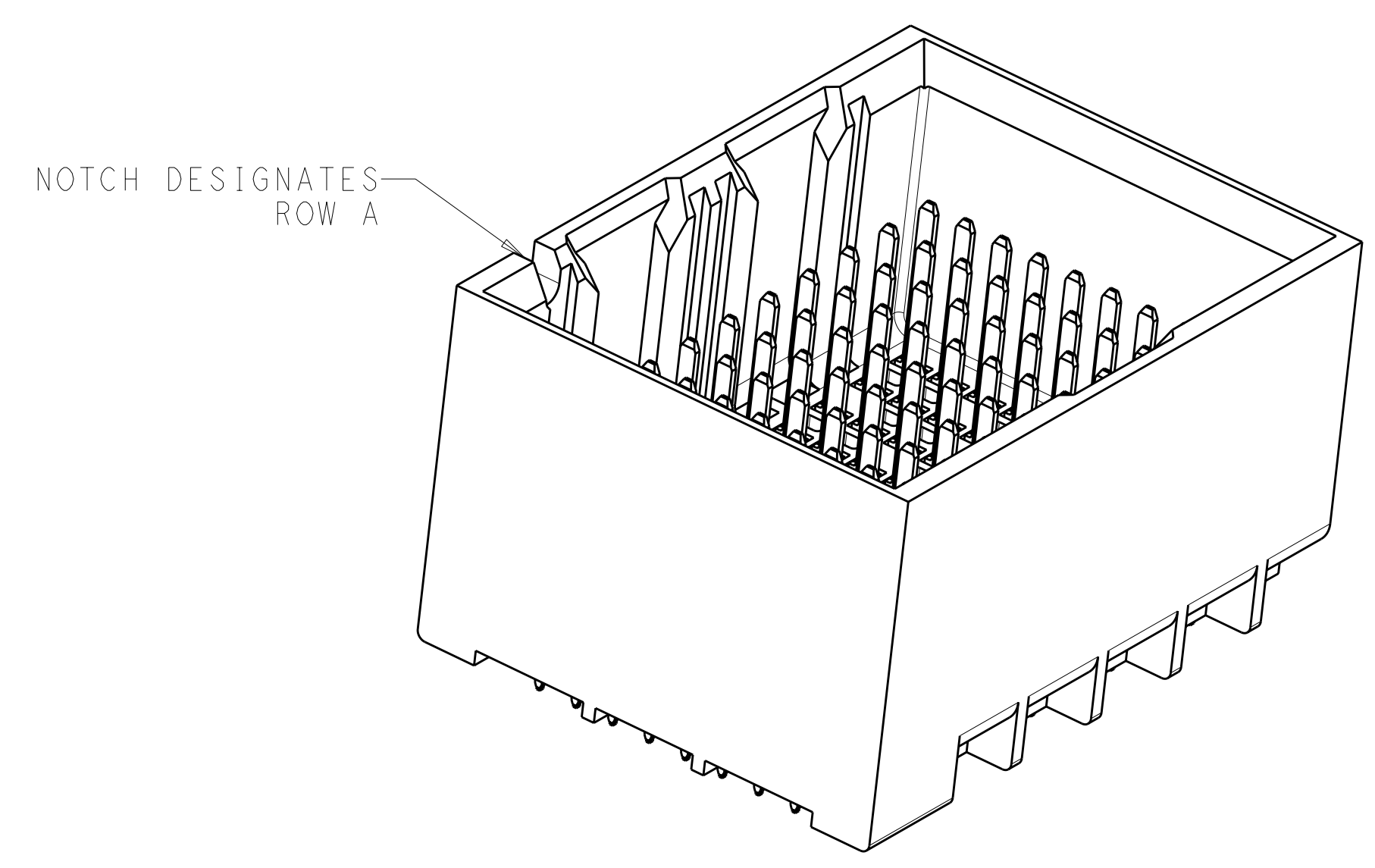
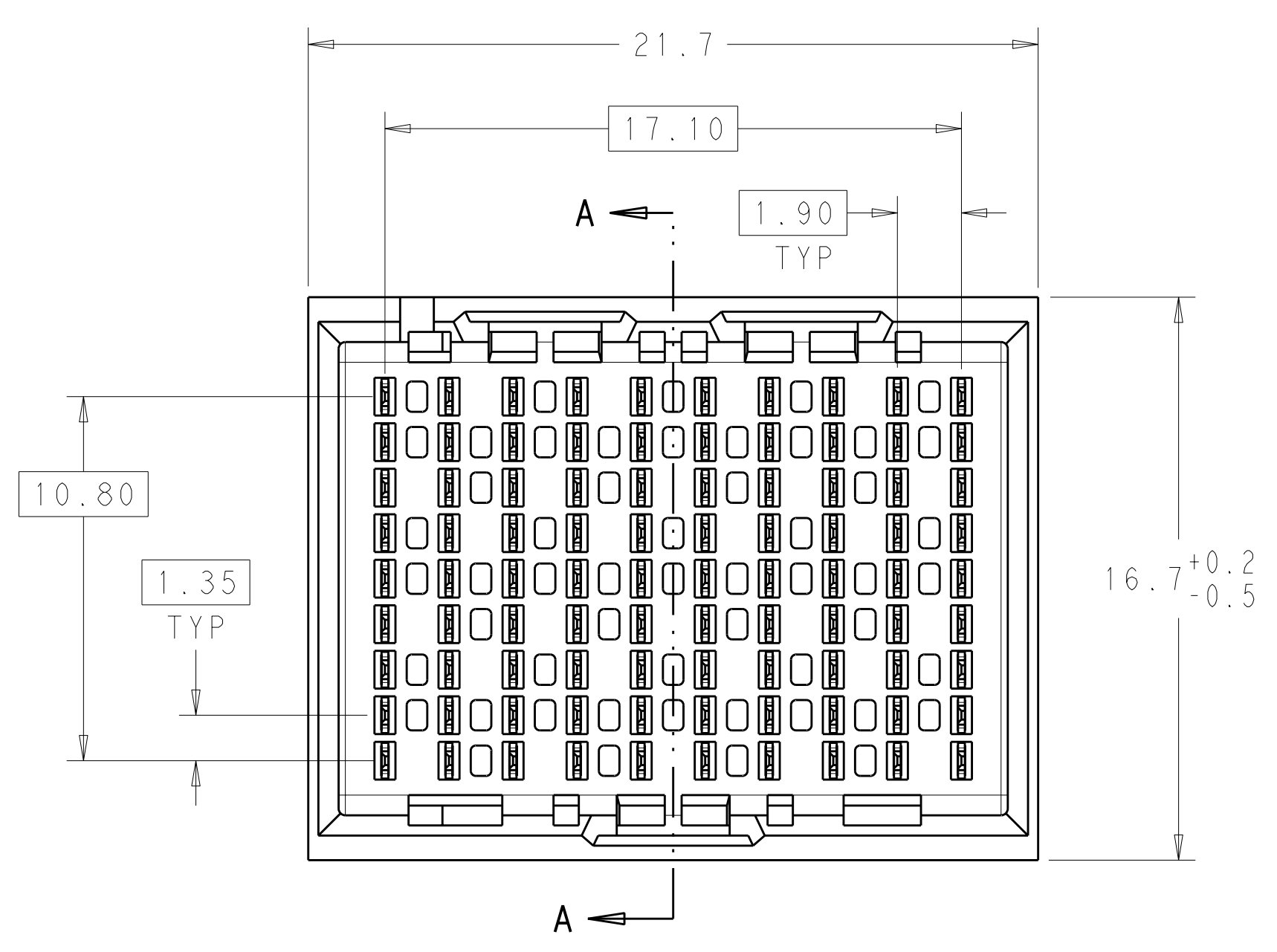
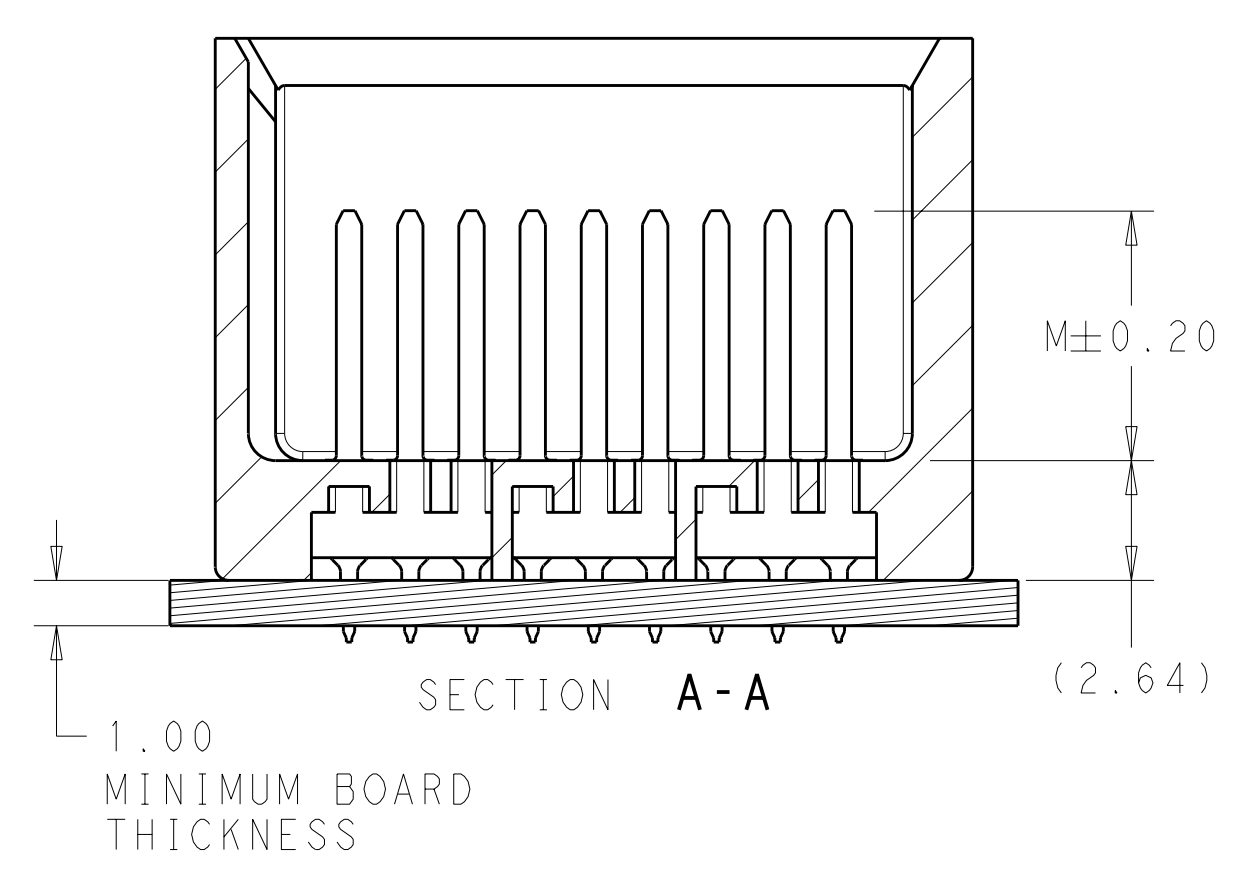
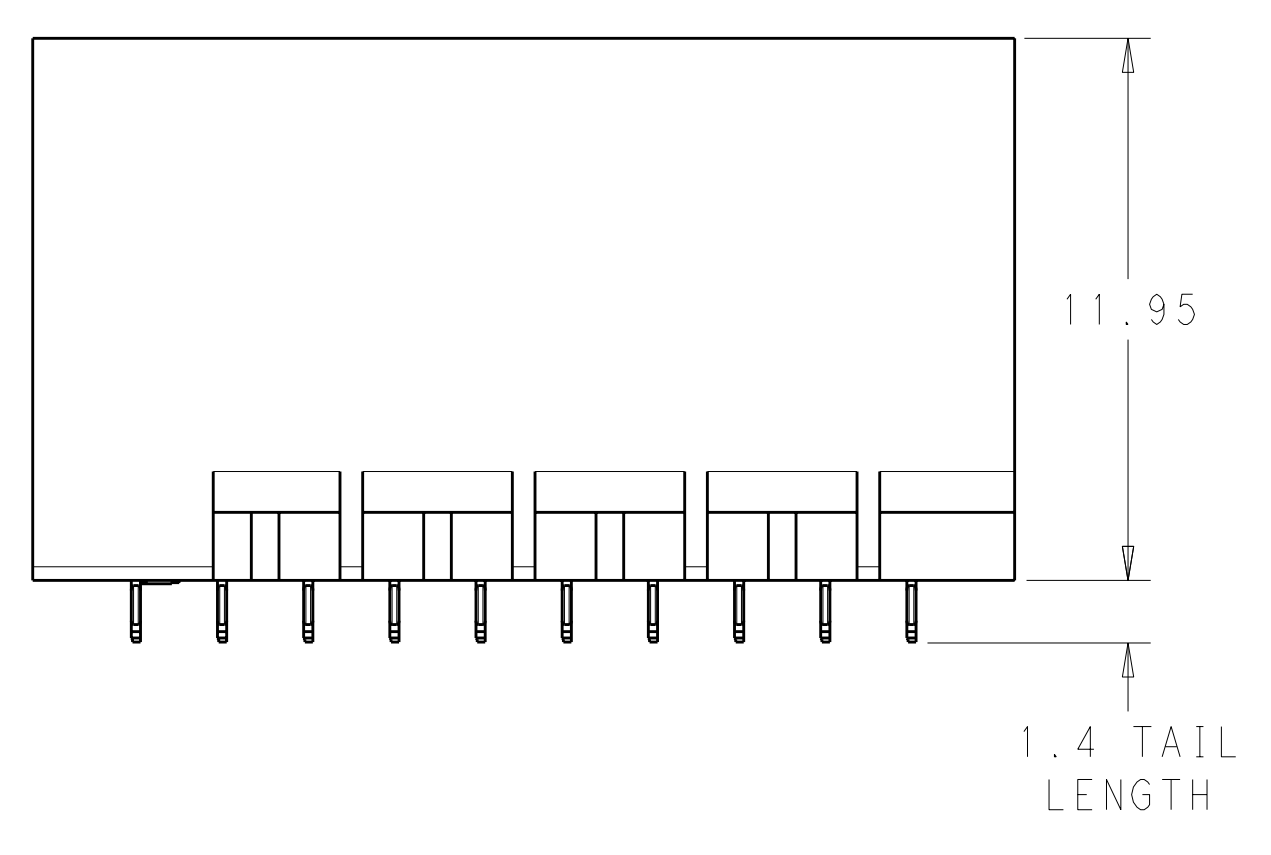
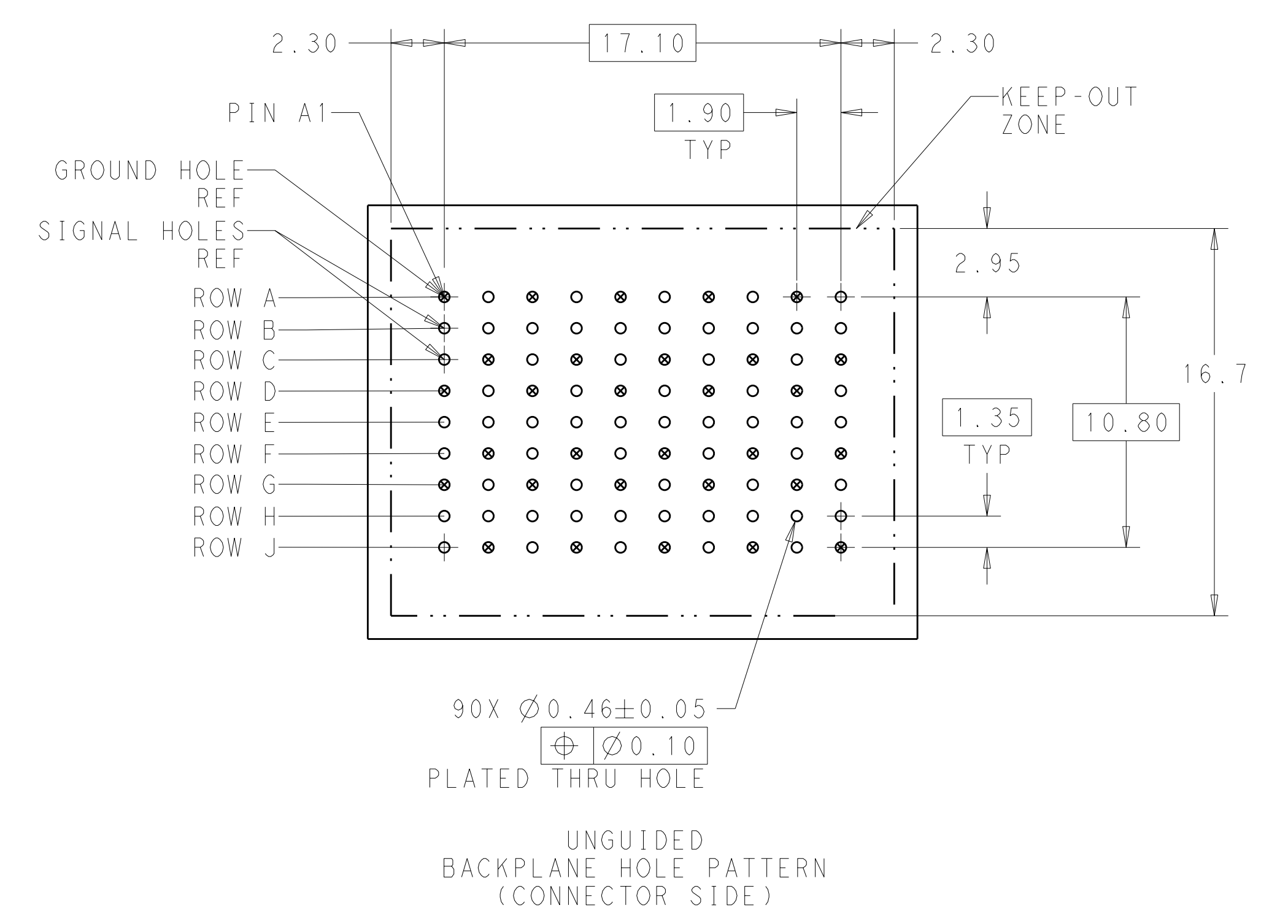


LOC		DIST		REVISIONS			
AD	00	P	LTR	DESCRIPTION	DATE	DWN	APVD
		C		REVISED PER ECO-11-025276	22DEC11	KH	DY



- 1 MATERIAL:
HOUSING: LCP, GLASS FILLED, UL94V-0.
TERMINALS: HIGH PERFORMANCE COPPER ALLOY.
- 2 FINISH:
30µ" MIN GOLD IN CONTACT AREA. SELECTIVE TIN
ON PCB TAILS, NICKEL OVERALL.
- 3 FINISH:
30µ" MIN GOLD IN CONTACT AREA. SELECTIVE TIN-LEAD
ON PCB TAILS, NICKEL OVERALL.




THIS DRAWING IS A CONTROLLED DOCUMENT.		DWN	J. K. SHOBER	22DEC11	TE Connectivity NAME: IMPACT, 3 PAIR, 10 COLUMN, HEADER UNGUIDED, DOUBLE END WALL SIGNAL MODULE, 0.46 PTH			
DIMENSIONS:		CHK	J. EARY	22DEC11				
TOLERANCES UNLESS OTHERWISE SPECIFIED:		APVD	J. EARY	22DEC11				
0 PLC ± 1 PLC ±0.25 2 PLC ±0.13 3 PLC ± 4 PLC ± ANGLES ± FINISH ±		PRODUCT SPEC						
MATERIAL		APPLICATION SPEC			SIZE	CAGE CODE	DRAWING NO.	RESTRICTED TO
		WEIGHT			A1100779	C=2007786		
		CUSTOMER DRAWING			SCALE	6:1	SHEET	1 OF 2
					REV			C

THIS DRAWING IS UNPUBLISHED. RELEASED FOR PUBLICATION 2011
 © COPYRIGHT 2011 ALL RIGHTS RESERVED.

LOC	DIST	REVISIONS				
AD	00	P	LTG	DATE	DWN	APVD
		-	-	SEE SHEET 1	-	-

\triangle_3	5.5	2007786-6
\triangle_3	4.9	2007786-5
\triangle_3	4.5	2007786-4
\triangle_2	5.5	2007786-3
\triangle_2	4.9	2007786-2
\triangle_2	4.5	2007786-1
FINISH	DIM M	PART NUMBER

REFER TO WWW.TE.COM
FOR PRODUCT AVAILABILITY

THIS DRAWING IS A CONTROLLED DOCUMENT.		DWN J. K. SHOBER	22DECT1	 TE Connectivity
DIMENSIONS: mm		CHK J. EABY	22DECT1	
TOLERANCES UNLESS OTHERWISE SPECIFIED: 9 PLC ± 7 PLC ±0.25 5 PLC ±0.13 4 PLC ± ANGLES ±		APVD J. EABY	22DECT1	NAME IMPACT, 3 PAIR, 10 COLUMN, HEADER UNGUIDED, DOUBLE END WALL SIGNAL MODULE, 0.46 PTH
MATERIAL		PRODUCT SPEC		RESTRICTED TO
FINISH		APPLICATION SPEC		SIZE CAGE CODE DRAWING NO A100779C=2007786
CUSTOMER DRAWING		WEIGHT		SCALE 5:1 SHEET 2 OF 2 REV C