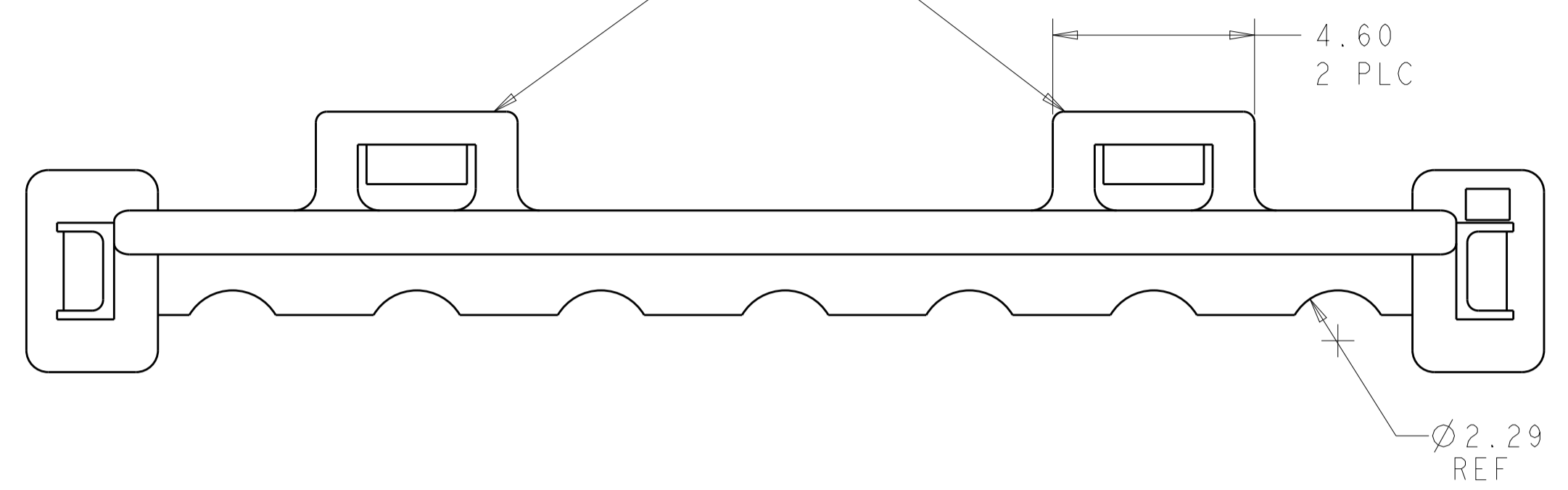
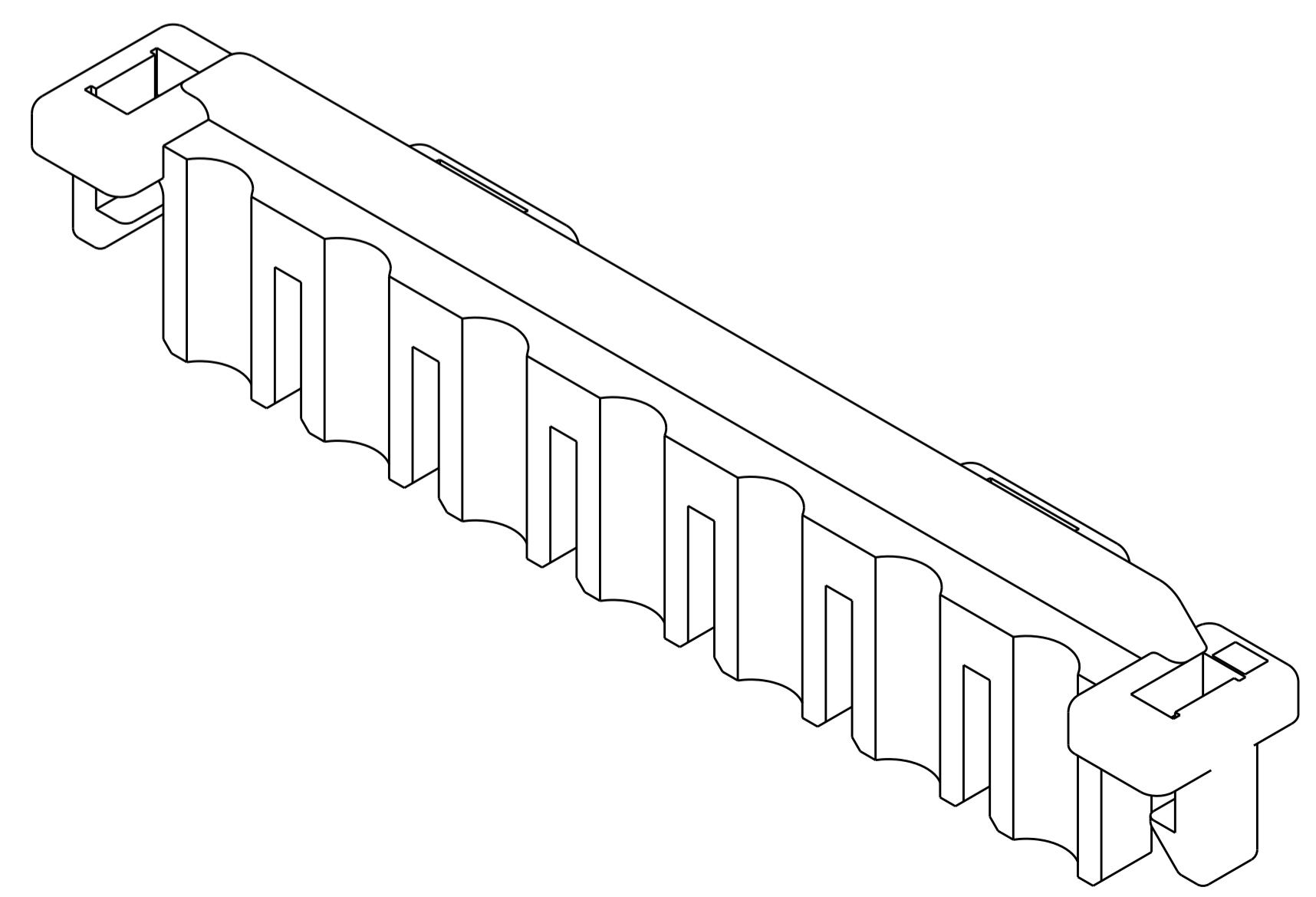
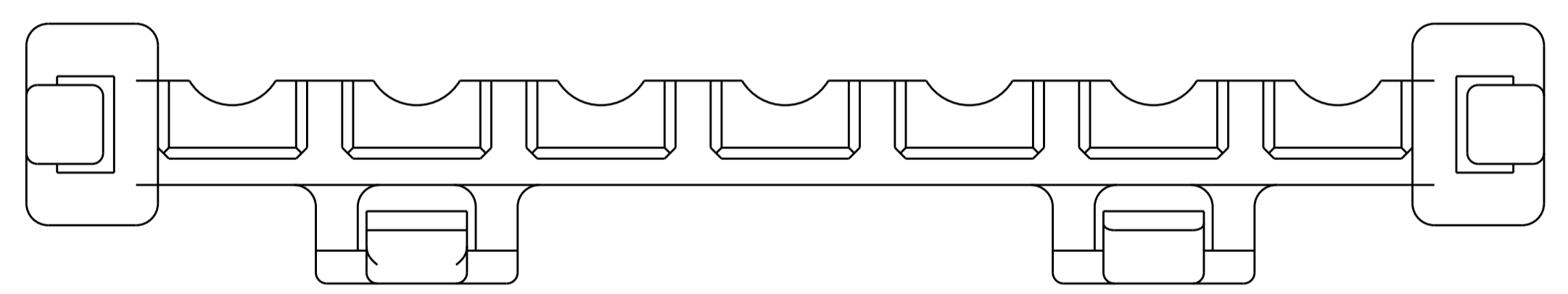
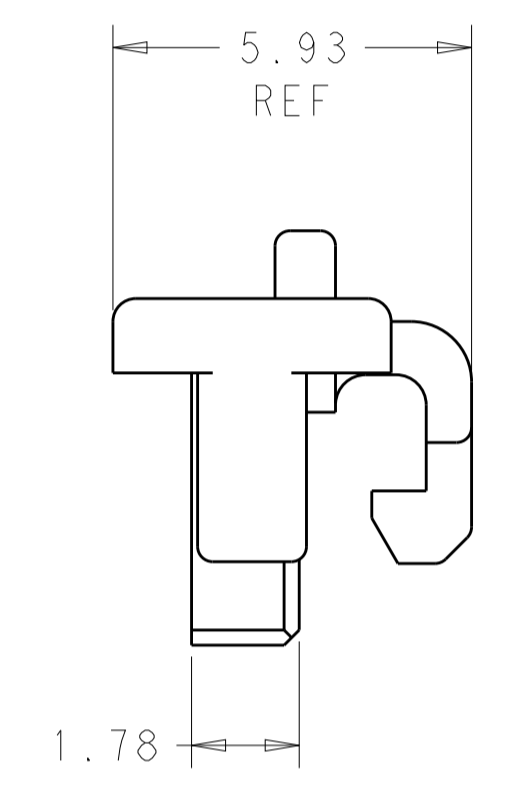
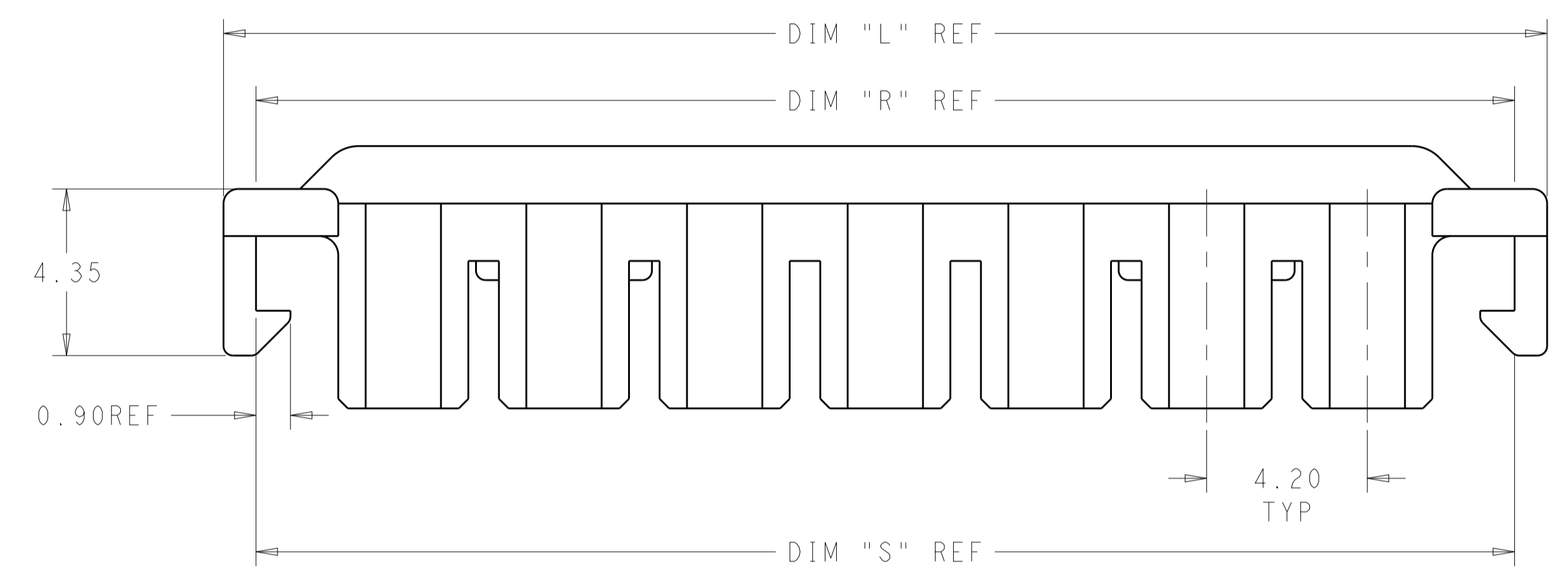
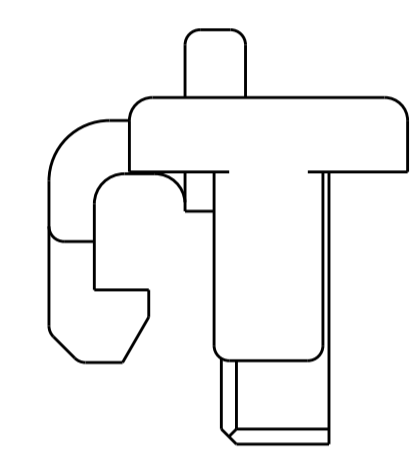


LOC		DIST		REVISIONS			
AF	-	P	LTN	DESCRIPTION	DATE	DWN	APVD
		A2		REVISED PER ECR-16-017699	12JAN2017	JJ	DZ

TOP LATCHES NOT PRESENT FOR POSITIONS 1-5



1. USE WITH VAL-U-LOK HOUSINGS.
 2. FOR USE WITH #26-#22 AWG LEAD WIRE WITH INSULATION DIA 2.03-2.16MM AND INSULATION CRIMP HEIGHT OF 2.54 MIN.
- 3 SIDE LATCHES ONLY, NO TOP LATCHES FOR POSITIONS 1-5



1969609-7 SHOWN HERE

53.94	53.90	55.60	12	1-1969609-2
49.74	49.70	51.40	11	1-1969609-1
45.54	45.50	47.20	10	1-1969609-0
41.34	41.30	43.00	9	1969609-9
37.14	37.10	38.80	8	1969609-8
32.94	32.90	34.60	7	1969609-7
28.74	28.70	30.40	6	1969609-6
24.54	24.50	26.20	5	1969609-5
20.34	20.30	22.00	4	1969609-4
16.14	16.10	17.80	3	1969609-3
11.94	11.90	13.60	2	1969609-2
7.74	7.70	9.40	1	1969609-1
DIM S	DIM R	DIM L	# OF POS	PART NO.

THIS DRAWING IS A CONTROLLED DOCUMENT.

DWN: S. EDWARDS 08JAN2013
 CHK: KURT RANDOLPH 08JAN13
 APVD: KURT RANDOLPH 08JAN13

STE TE Connectivity

NAME: HOUSING, TPA, VAL-U-LOK

PRODUCT SPEC: -
 APPLICATION SPEC: -

MATERIAL: NYLON 6/6
 FINISH: -
 COLOR: RED

WEIGHT: -
 SCALE: 8:1

SIZE: A100779
 CAGE CODE: 1969609

RESTRICTED TO: -
 SHEET 1 OF 1
 REV A2