

# D-SUB connector - VS-09-IBS-ST - 1689271

Please be informed that the data shown in this PDF Document is generated from our Online Catalog. Please find the complete data in the user's documentation. Our General Terms of Use for Downloads are valid (<http://phoenixcontact.com/download>)

D-SUB complete connector, for INTERBUS, shell size 1, pin, screw connection, shielded, connection direction straight, IP67 degree of protection



## Key Commercial Data

Packing unit	1 STK
GTIN	
GTIN	4017918892746

## Technical data

### Mechanical characteristics

Number of positions	9
Shielded	yes
Insertion/withdrawal cycles	≥ 200
Connection method	Screw connection
Conductor cross section	0.14 mm <sup>2</sup> ... 0.5 mm <sup>2</sup>
Connection cross section AWG	26 ... 20
External cable diameter	5 mm ... 9 mm
Cable outlet	Angled
Color	gray
Degree of protection	IP67
Type	D-SUB 9
Size of housing	1
No. of cable outlets	2

### Ambient conditions

Ambient temperature (operation)	-20 °C ... 70 °C
---------------------------------	------------------

### Material data

Flammability rating according to UL 94	V0
--	----

# D-SUB connector - VS-09-IBS-ST - 1689271

## Technical data

### Material data

Housing material	PA
Contact carrier material	PBTP
Contact material	Copper alloy
Contact surface material	Gold over nickel
Cable seal material	CR/NBR

### Electrical characteristics

Number of positions	9
Rated current	1 A
Overvoltage category	II
Degree of pollution	2
Rated voltage (III/3)	63 V

### Standards and Regulations

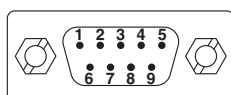
Flammability rating according to UL 94	V0
--	----

### Environmental Product Compliance

China RoHS	Environmentally Friendly Use Period = 50
	For details about hazardous substances go to tab "Downloads", Category "Manufacturer's declaration"

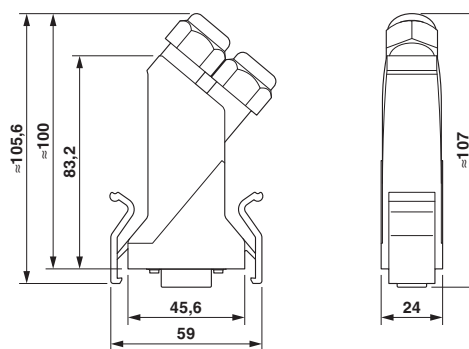
## Drawings

Schematic diagram



9-pos. D-SUB male plug

Dimensional drawing



D-SUB connector

## Approvals

Approvals

Approvals

EAC

## D-SUB connector - VS-09-IBS-ST - 1689271

### Approvals

Ex Approvals

---

#### Approval details

EAC		B.01742
-----	---	---------



---

Phoenix Contact 2018 © - all rights reserved  
<http://www.phoenixcontact.com>

PHOENIX CONTACT GmbH & Co. KG  
Flachsmarktstr. 8  
32825 Blomberg  
Germany  
Tel. +49 5235 300  
Fax +49 5235 3 41200  
<http://www.phoenixcontact.com>