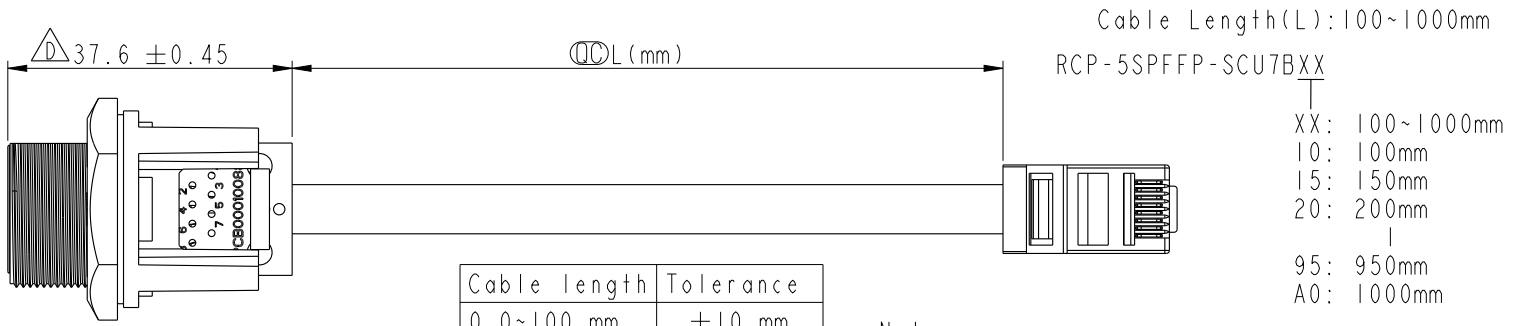
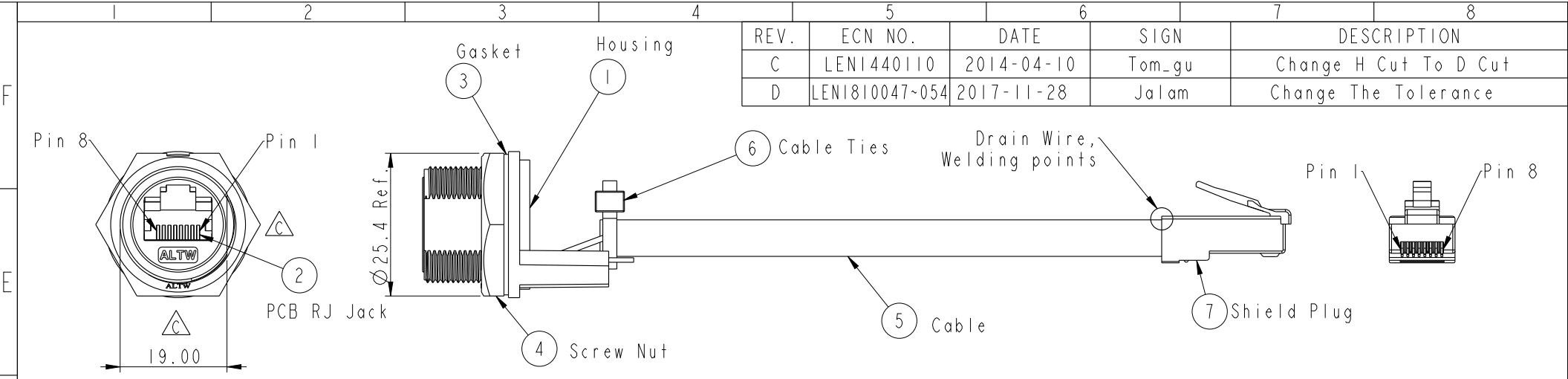


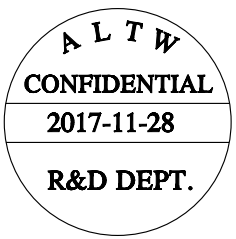
THIS DOCUMENT IS SUBJECT TO CHANGE WITHOUT NOTICE. IT IS CONFIDENTIAL AND A PROPERTY OF Amphenol LTW. DISCLOSURE TO THIRD PARTY HAS TO BE AUTHORIZED BY Amphenol LTW.

REV.	ECN NO.	DATE	SIGN	DESCRIPTION
C	LEN1440110	2014-04-10	Tom_gu	Change H Cut To D Cut
D	LEN1810047~054	2017-11-28	Jalam	Change The Tolerance

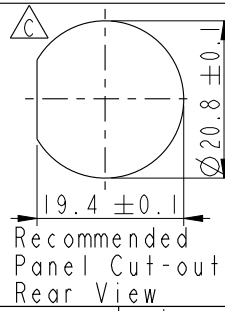


Cable length	Tolerance
0.0~100 mm	±10 mm
101~300 mm	±15 mm
301~1000 mm	±20 mm

- Note:
- \*  $\varnothing$  Important Dimension
  - \* Waterproof Rate : IP67 Unmated
  - \* Housing : Nylon+GF,UL 94V-0,BLACK
  - \* Screw Nut : Nylon+GF,BLACK
  - \* Gasket : Silicone,UL 94V-0,Gray.
  - \* PCB: FR-4
  - \* Jack : PBT Polyester UL 94V-0
  - \* Use without Waterproof cap or Dust cap  
For Panel Thickness Max: 4.2mm
  - \* Use with Waterproof cap or Dust cap  
For Panel Thickness Max: 3.0mm
  - \* Screw torsion value range: 8~12kgf-cm



Shield	Drain Wire	接地線	Shield	
8	Brown	棕	8	Twist
7	White/Brown	白/棕	7	
6	Green	綠	6	Twist
5	White/Blue	白/藍	5	
4	Blue	藍	4	Twist
3	White/Green	白/綠	3	
2	Orange	橘	2	Twist
1	White/Orange	白/橘	1	
Jack	Wire Color		Plug	
Pin Out				



UNIT: mm TOLERANCE .X ±0.25 .XX ±0.1 .XXX ±0.05 ANGLES ±1°		TITLE <b>RJ45,C SIZE,UNMATED WATERPROOF</b>		<b>Amphenol LTW</b> <b>安費諾亮泰企業股份有限公司</b>		ITEM NO RCP-5SPFFP-SCU7BXX	DRAWN BY Jalam	DATE 2017-11-28		
		SCALE 1:1	SIZE A4	SHEET 1 OF 1	DWG NO RCP-5SPFFP-SCU7BXX	CHECKED BY Feng_Li	DATE 2017-11-28	CUSTOMER ALTW	APPROVED BY Jerry	DATE 2017-11-28
		REV. D	WC-REV. B.4	$\varnothing$ : Inspection item						