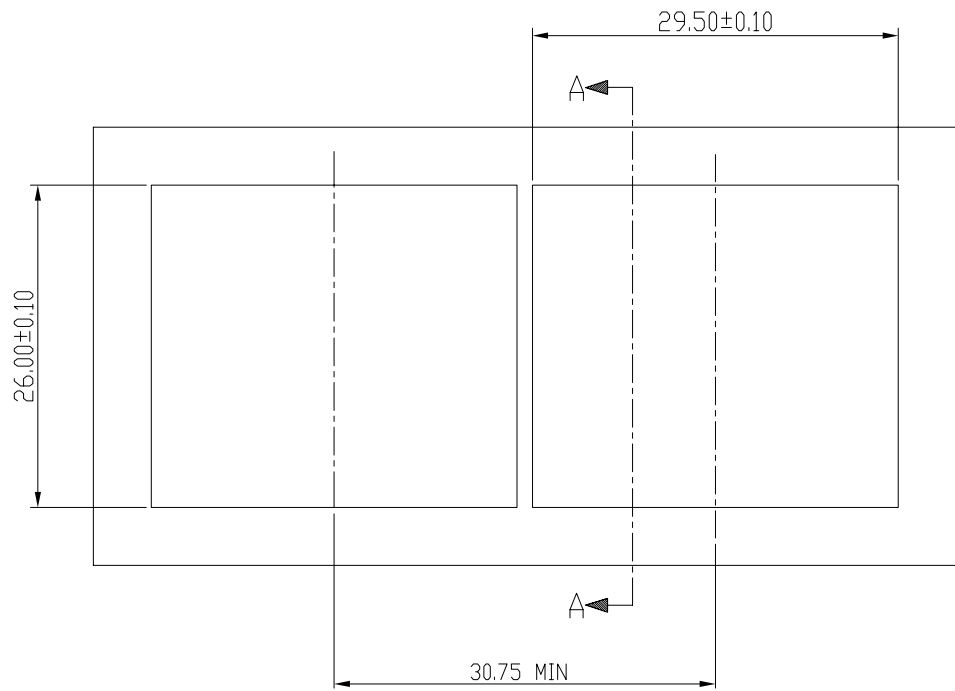


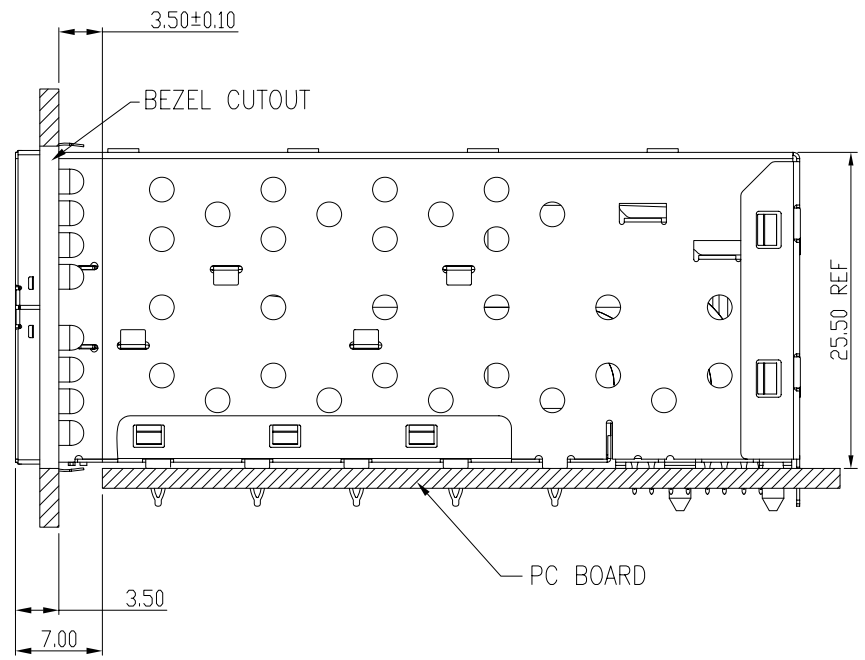
| Qty Per: | TRAY | CARTON | | |
|-------------|---------------------|--------|------------------------|---------|
| | 12 | 72 | | |
| PART NUMBER | STATEMENT | | | |
| SFPP-3131-L | INNER LIGHT PIPES | | | |
| No. | DESCRIPTION | Q'ty | MATERIAL | PLATING |
| 01 | SFP CAGE (Non-Logo) | 1 | COPPER ALLOY | |
| 02 | CONNECTOR | 2 | HIGH TEMP/COPPER ALLOY | GOLD |
| 03 | LIGHT PIPES | 2 | POLYCARBONITE | |
| 04 | EMI TAB | 2 | COPPER ALLOY | |

| | | | | | |
|----------------|----------------------------|-----------------------|--------------------------|---|-----|
| DETACHED LISTS | MM (INCH) | RoHS Compliant | | | |
| | TOLERANCES EXCEPT AS NOTED | | | TITLE SFP PLUS 2 BY 2 CAGE+CONNECTOR_P | |
| | MM | | | | ± |
| | .0 ± 0.25 | | | | ± |
| .00 ± 0.2 | ± | | | | |
| .000 ± 0.10 | ± | | | | |
| ANGLES ± 0.5 | | | | | |
| | THIRD ANGLE PROJECTION | DFTD Jack | DRAWING NO. CSFPP-3131-L | SIZE | REV |
| | | DATE 6/09/09' | /PART NO. SFPP-3131-L | A3 | 0 |
| | SCALE : 2:1 | DO NOT SCALE DRAWING | SHEET 1 | OF 4 | |

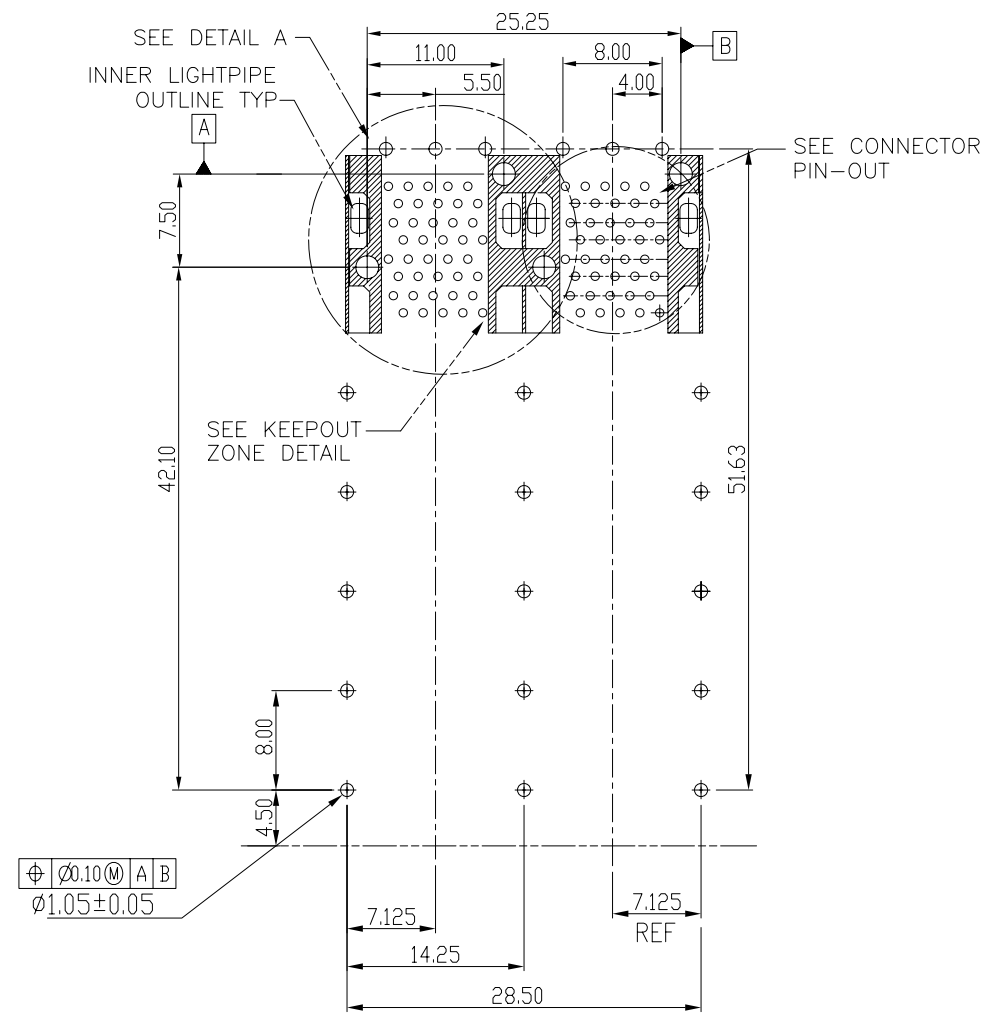
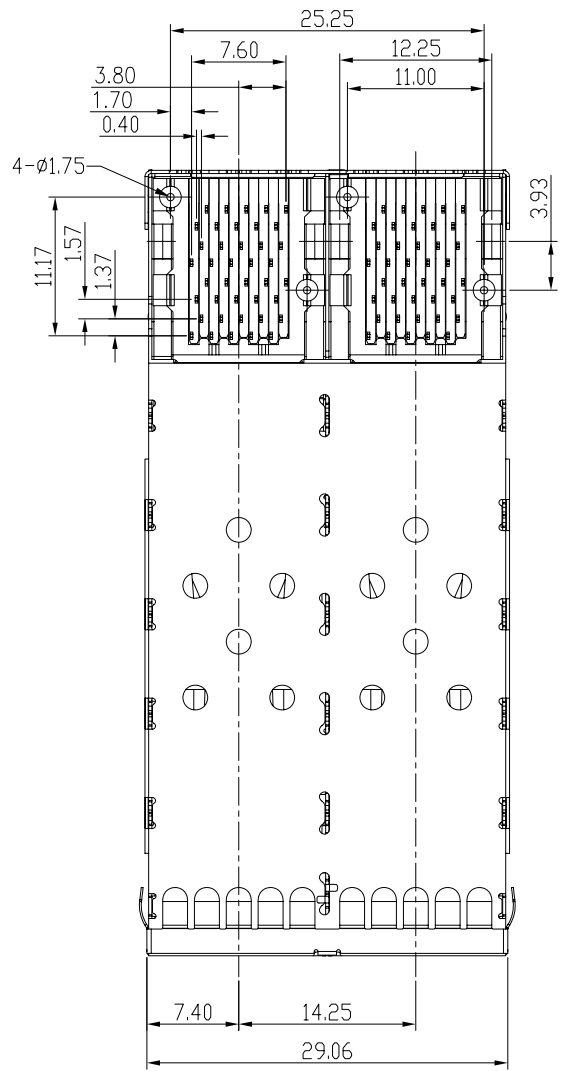
8 7 6 5 4 3 2 1



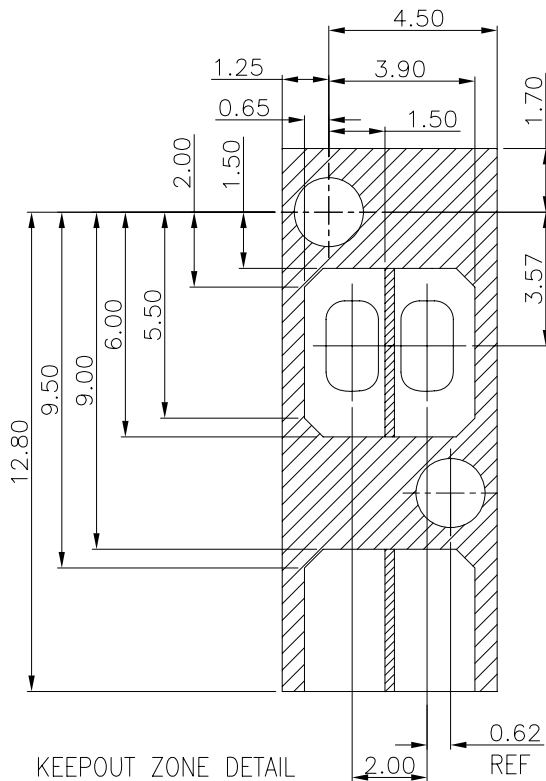
BEZEL CUT-OUT CENTER SPACING DETAIL
 BEZEL THICKNESS:0.8-2.6



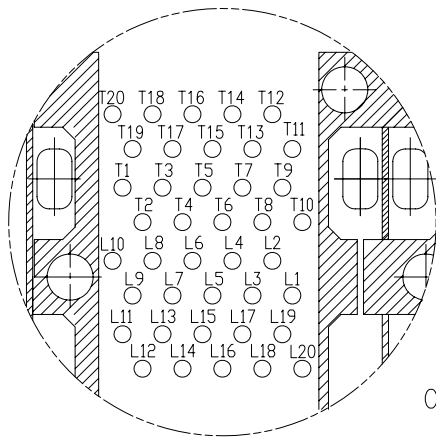
| | | | | | | |
|----------------------------|----------------------------|-----------------------|-----------------------------|--------------------------|--|--|
| DETACHED LISTS | MM (INCH) | RoHS Compliant | | | | |
| | TOLERANCES EXCEPT AS NOTED | | TITLE | | | |
| | MM | | W/LIGHT PIPES&EMI TAB | | | |
| | .0 ± 0.25 | ± | SFP 2 BY 2 CAGE+CONNECTOR_P | | | |
| .00 ± 0.2 | ± | DFTD Jack | | DRAWING NO. CSFPP-3131-L | | |
| .000 ± 0.10 | ± | DATE 6/09/09' | | /PART NO. SFPP-3131-L | | |
| ANGLES ± 0.5 | | SCALE : 2:1 | | DO NOT SCALE DRAWING | | |
| THIRD ANGLE PROJECTION | | SHEET 2 | | REV 0 | | |
| | | OF 4 | | | | |



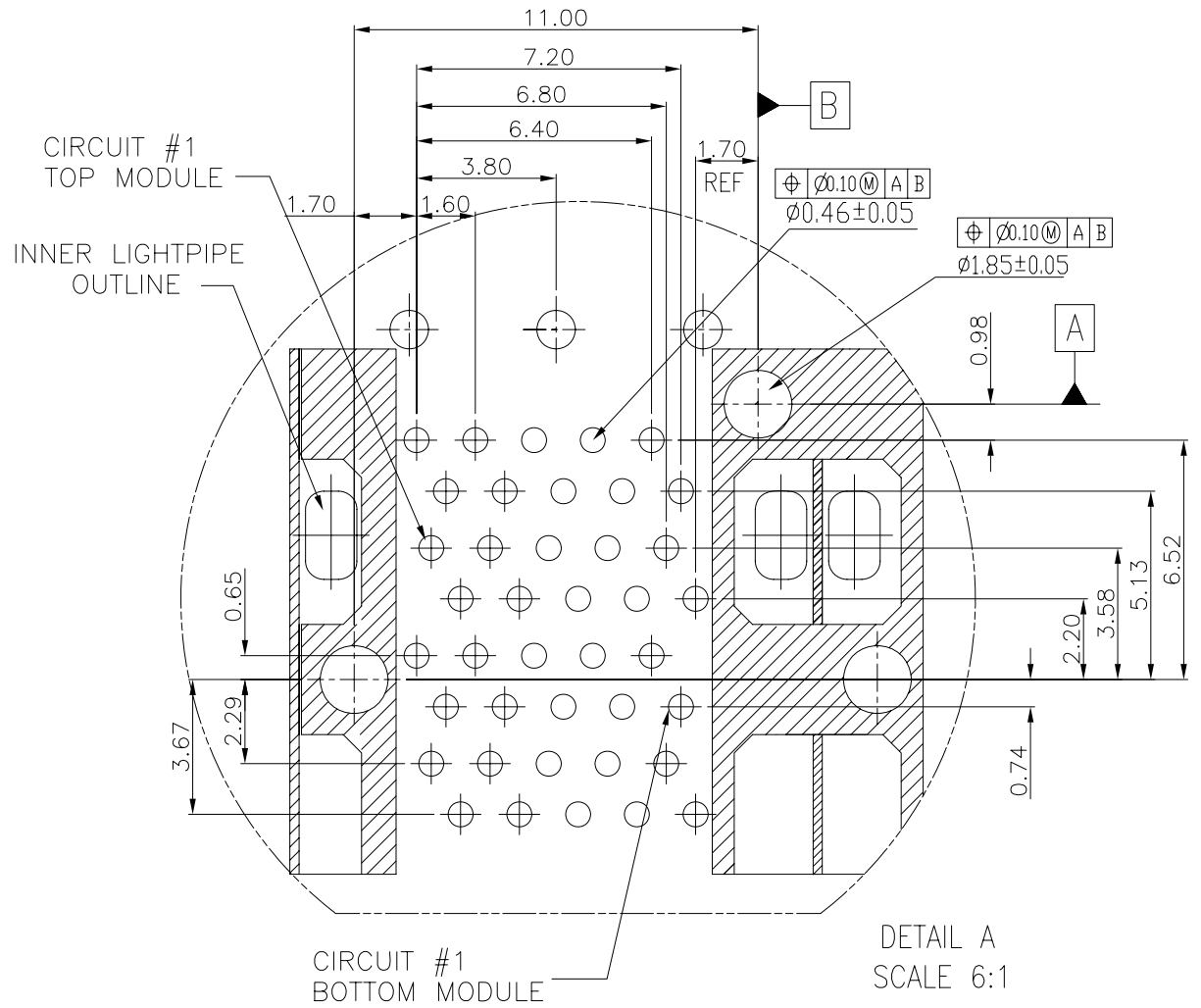
| | | | | | |
|----------------------------|---|---|---------------------------|----------------------|---|
| MM (INCH) | | RoHS Compliant | | | |
| TOLERANCES EXCEPT AS NOTED | | TITLE SFP 2 BY 2 CAGE+CONNECTOR_P W/LIGHT PIPES&EMI TAB | | | |
| DETACHED LISTS | MM .0 ± 0.25 .00 ± 0.2 .000 ± 0.10 | ± ± ± | DFTD Jack DATE 6/09/09 | | DRAWING NO. CSFPP-3131-L /PART NO. SFPP-3131-L |
| | ANGLES ± 0.5 | | SCALE : 2:1 | DO NOT SCALE DRAWING | SHEET 3 OF 4 |
| | THIRD ANGLE PROJECTION | | SIZE A3 | REV 0 | |



KEEPOUT ZONE DETAIL
SCALE 6:1



CONNECTOR PIN-OUT
COMPONENT SIDE OF BOARD



CIRCUIT #1
BOTTOM MODULE

DETAIL A
SCALE 6:1

| | | | | | |
|---|-------------|----------------------------|---|---|----------|
| ← MM (INCH) → TOLERANCES EXCEPT AS NOTED | | RoHS Compliant | | | |
| DETACHED LISTS | MM | ± | TITLE W/LIGHT PIPES&EMI TAB SFP 2 BY 2 CAGE+CONNECTOR_P | | |
| | .00 ± 0.2 | ± | | | |
| | .000 ± 0.10 | ± | | | |
| ANGLES ± 0.5 | | | | DATE 6/09/09' | |
| THIRD ANGLE PROJECTION | | DFTD Jack DATE 6/09/09' | | DRAWING NO. CSFPP-3131-L /PART NO. SFPP-3131-L | |
| SCALE : 2:1 | | DO NOT SCALE DRAWING | | SIZE A3 | REV 0 |
| | | | | SHEET 4 OF 4 | |