

NOTES:

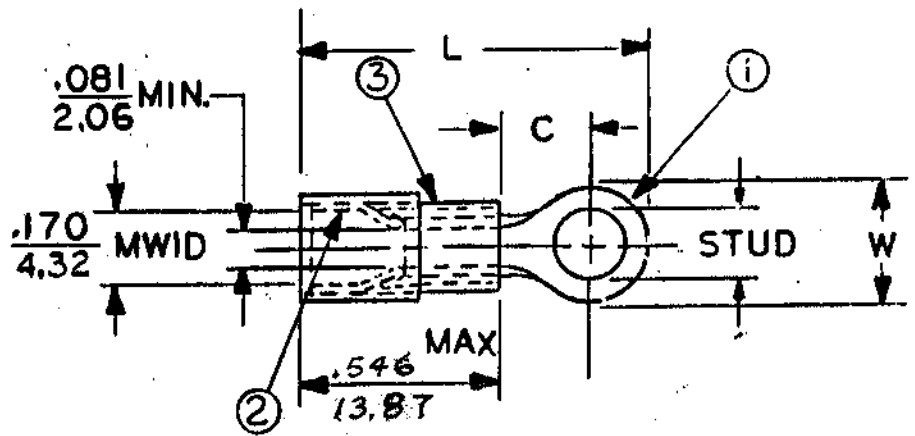
- ① MAT'L: COPPER (STOCK TKN. $\frac{.031}{.79} \pm .001$)
PLATING: ELECTRO TIN (.0003 MIN)
- ② TIN-PLATED BRASS FUNNEL FERRULE
- ③ NYLON INSULATION (COLOR CODED BLUE)

FILE NO. B-CD-501-01

STUD SIZES: ($\pm .005$)

- 02 = .094
- 04 = .119
- 06 = .146
- 08 = .173
- 10 = .198
- 14 = .265
- 56 = .328
- 38 = .390

"UL" LISTING #E32244
"CSA" LISTING #18689



WIRE SIZE: 16-14 AWG
1.0-2.5 MM²

ALL DIMENSIONS = $\frac{\text{INCHES}}{\text{MM}}$ (MWID) = DENOTES MAXIMUM WIRE INSULATION DIAMETER

PART NUMBER	"W" $\pm .010$	"C" MIN.	"L" MAX.				AVAILABLE STUD SIZES
B-518-	$\frac{.534}{13.56}$	$\frac{.554}{14.07}$	$\frac{1.407}{35.74}$				10, 14, 56, 38
B-523-	$\frac{.250}{6.35}$	$\frac{.209}{5.31}$	$\frac{.931}{23.65}$				02, 04, 06, 08
B-525-	$\frac{.467}{11.86}$	$\frac{.388}{9.86}$	$\frac{1.208}{30.68}$				10, 14, 56
B-539-	$\frac{.342}{8.69}$	$\frac{.310}{7.87}$	$\frac{1.067}{27.10}$				04, 06, 08, 10
B-537-	$\frac{.312}{7.92}$	$\frac{.285}{7.24}$	$\frac{1.022}{25.96}$				04, 06, 08, 10

DIMENSIONAL TOLERANCES UNLESS OTHERWISE SPECIFIED			REFERENCE	SCALE: NTS	DATE	TITLE:
FRAC.	DEC.	ANG.	REV. A 06/18/80 REV. B 1/6/93	DRWN. BY: K0	11-12-84	RING TONGUE TERMINAL AVIKRIMP 500-SERIES
±	±	±		CHKD. BY: 6Z	11-30-84	
				APPRD. BY:		



DWG. NO. A CUSTOMER DWG.