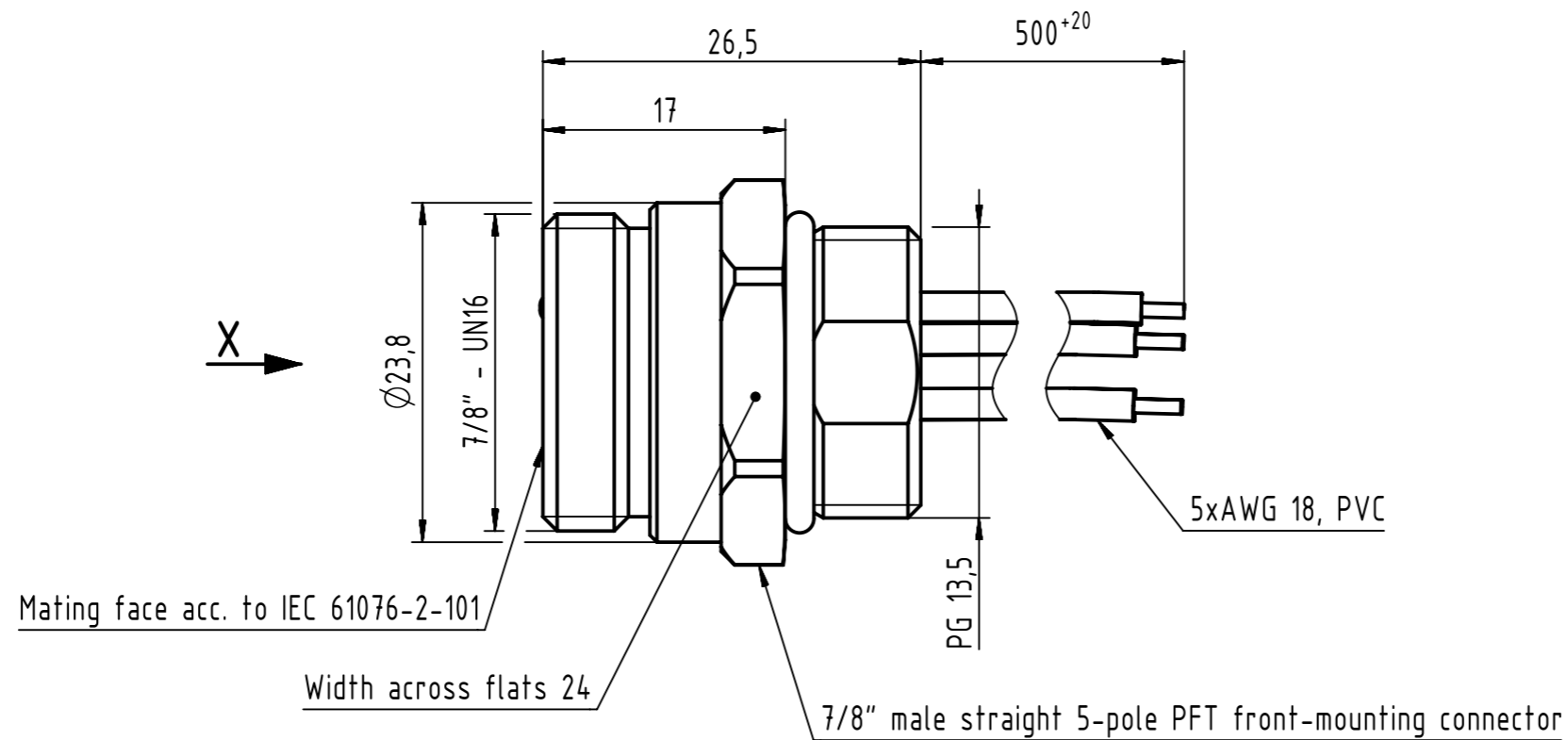
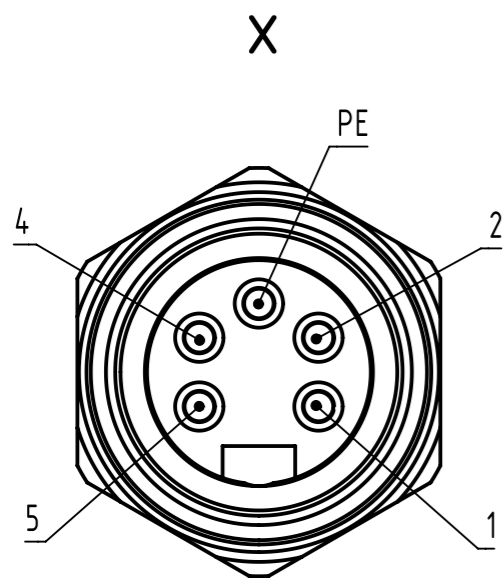
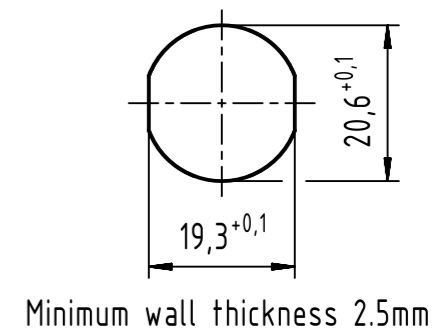


Connector Location A

Connector Location B

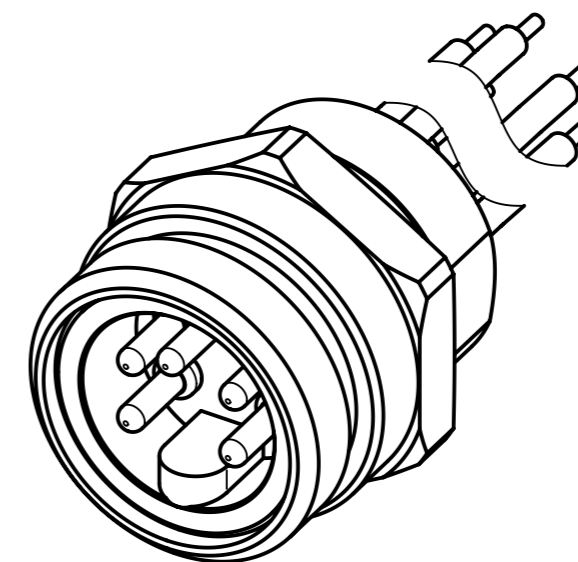


Recommended panel cut-out



Loading-Plan:

- 1 — black
- 2 — blue
- PE — green-yellow
- 4 — brown
- 5 — white



- Protection level: IP 65/67  
 - Temperature range:  $-30^{\circ}\text{C} \dots +75^{\circ}\text{C}$

	All rights reserved		Created by MUNTEANV		Inspected by POPESCUD		Standardisation AVRAM		Date 2016-10-18		State Final Release	
	Department HCS - RO		Title 7/8" Cable Assembly		Doc-Key / ECM-Nr. 100637135/UGD/000/B 500000110271		Rev. B		Page 1/1			
HARTING Customised Solutions D-32427 Minden			Type TB		Number 21347400571005							

All Dimensions in mm  
 Tech. Character.  
 Free size tol.  
 According to production drawing 2016-09-05