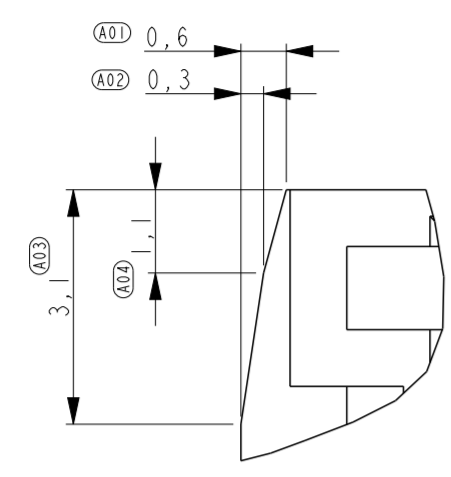
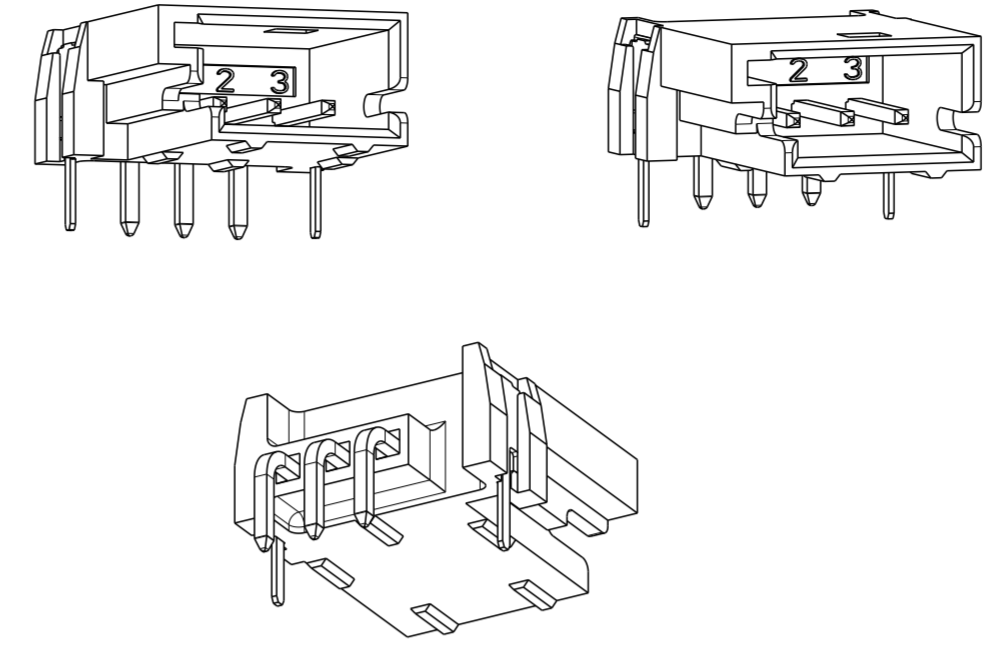
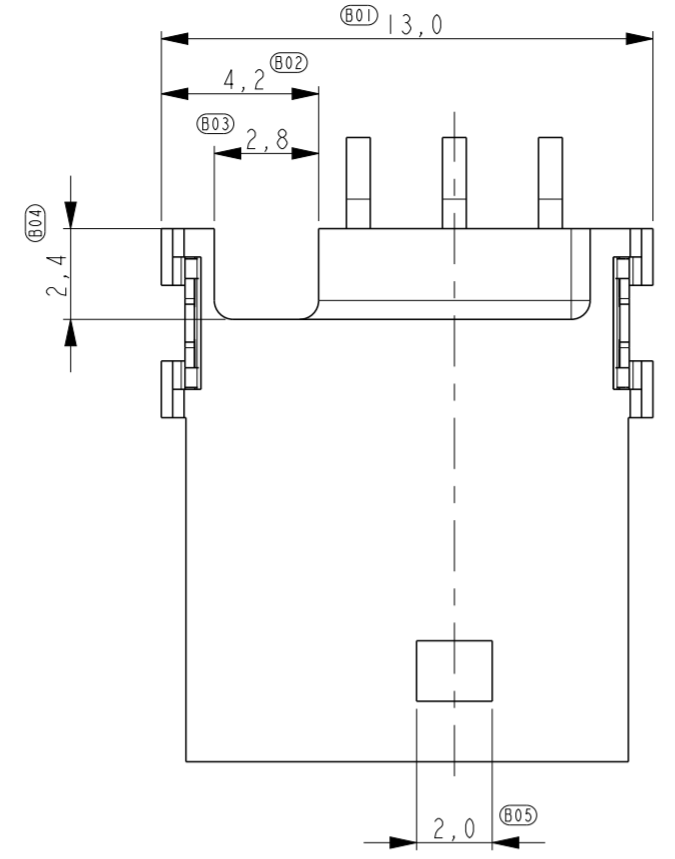


THIS DRAWING IS UNPUBLISHED. RELEASED FOR PUBLICATION
 © COPYRIGHT - ALL RIGHTS RESERVED.

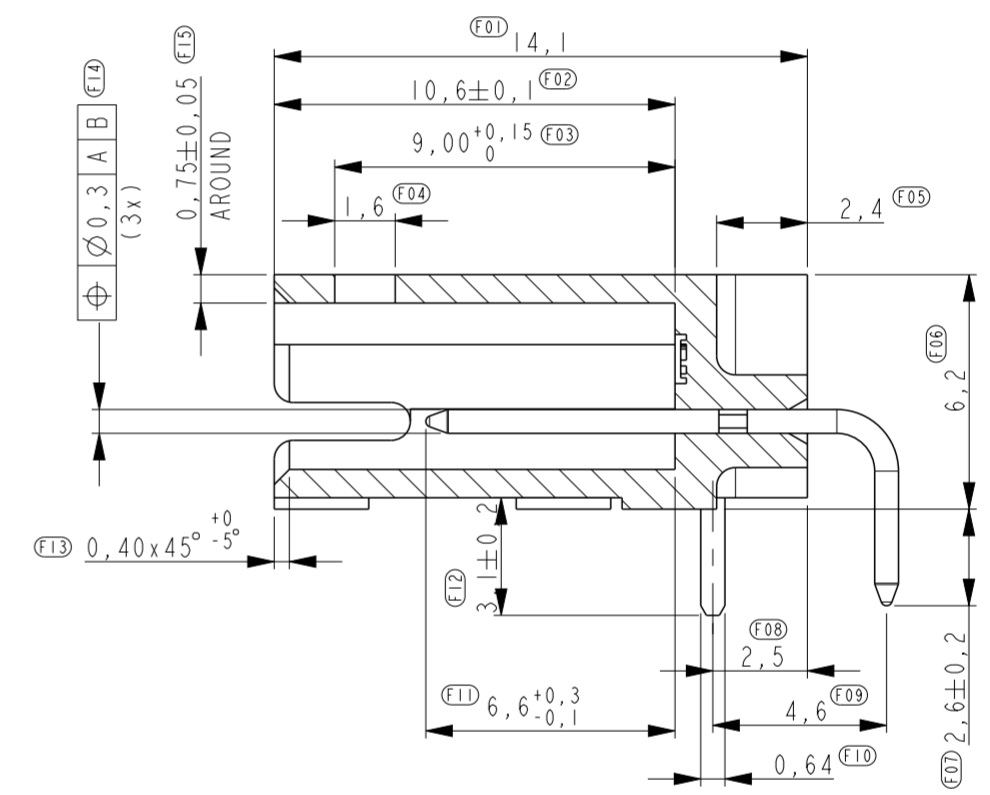
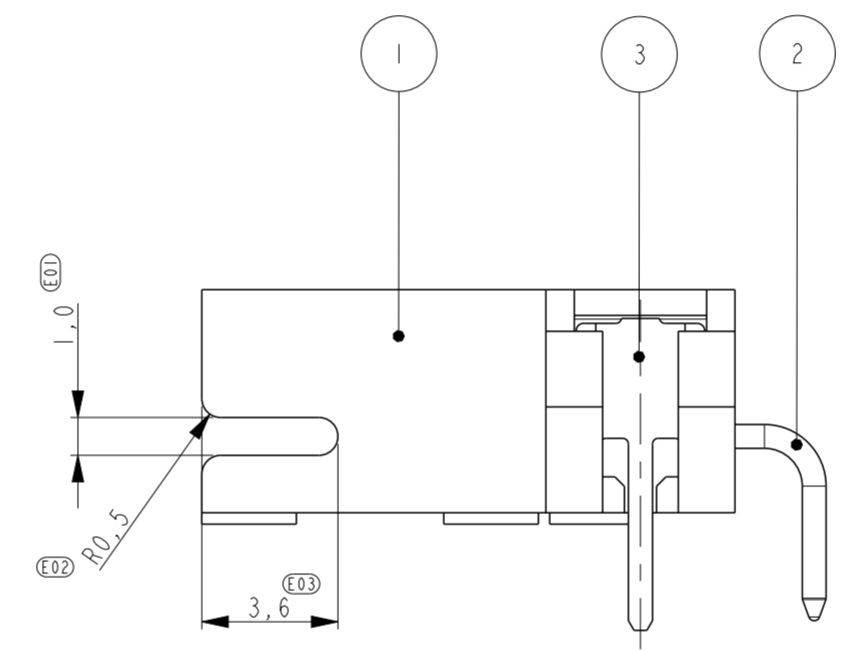
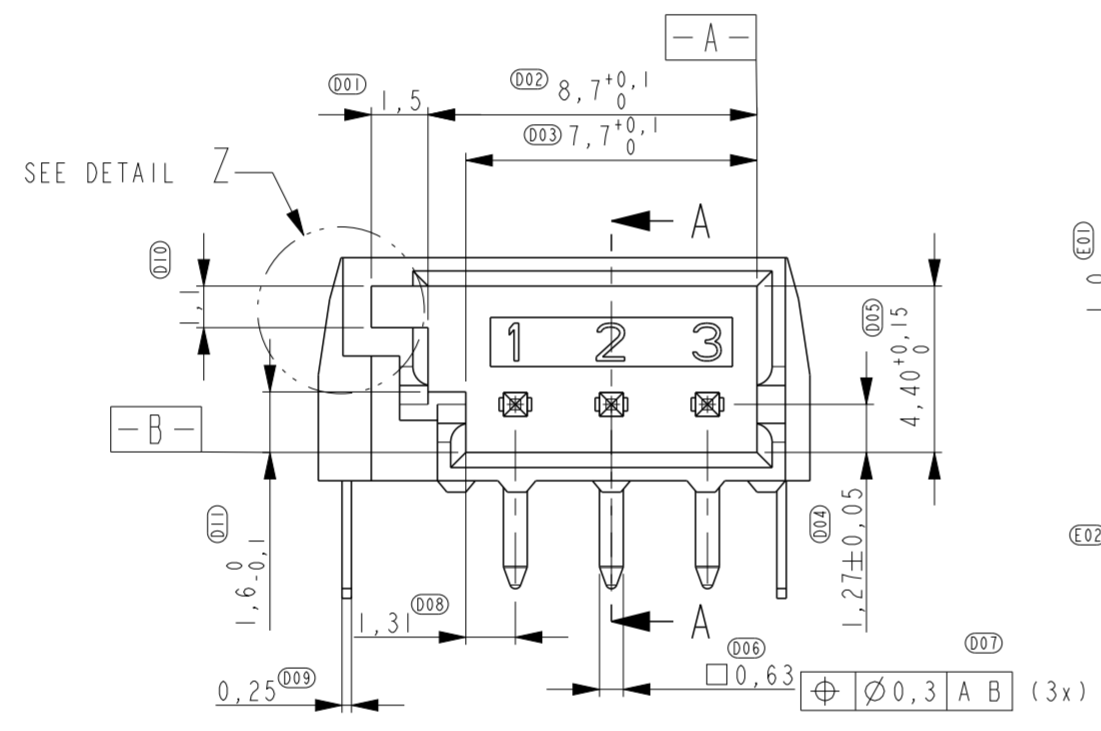
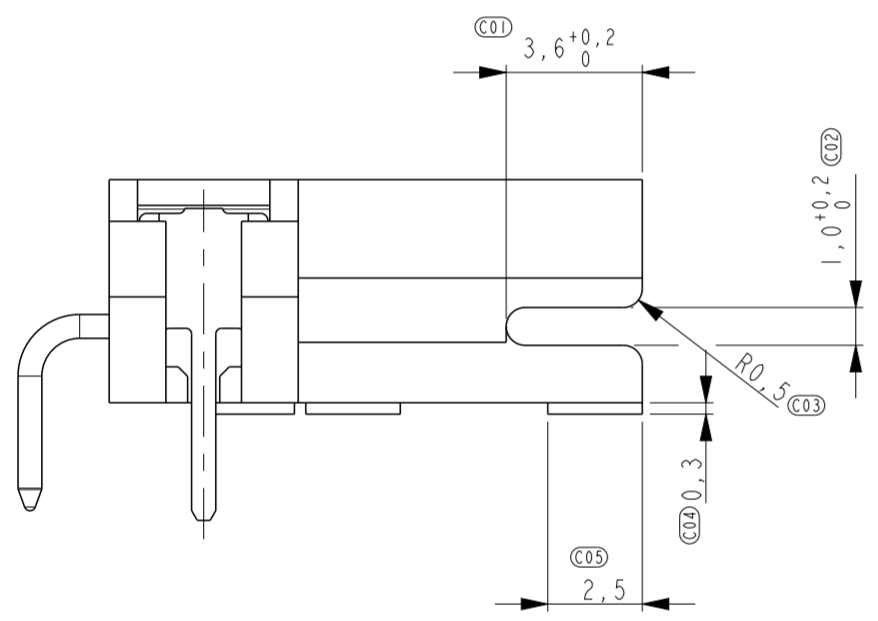
LOC		DIST		REVISIONS			
P	LTR	DESCRIPTION	DATE	DWN	APVD		
	FI	ECR-13-001688	29JAN2013	GG	RRP		



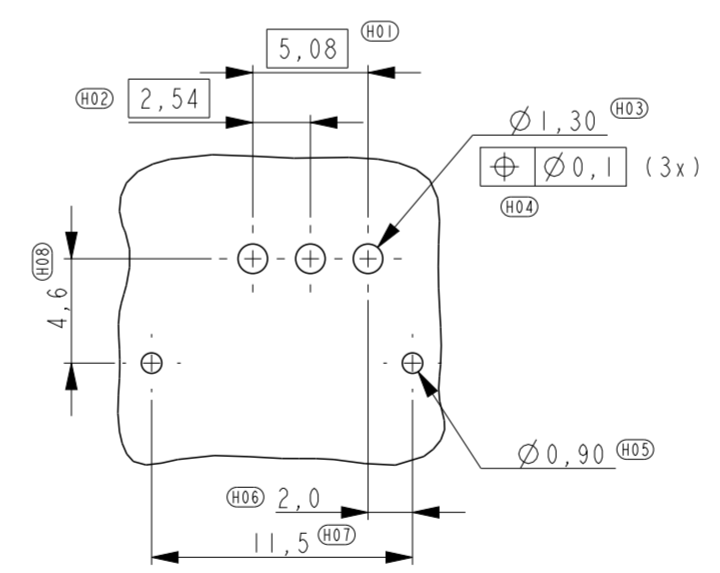
DETAIL Z
SCALE 10:1



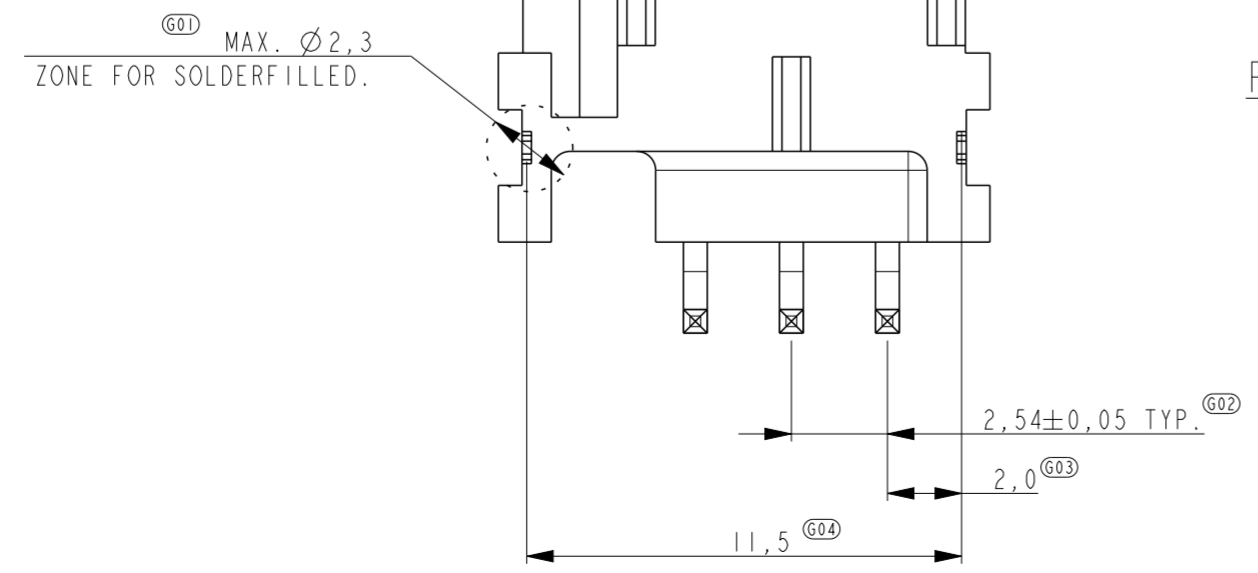
NOTE:
 1. ALL RADII R0,2 EXCEPT AS NOTED.
 2. PACKING:
 1857167-1 - TRAY PACKED
 1857167-2 - TAPE AND REEL PACKAGING ACCORDING TO EIA-481



SECTION A-A



PCB LAYOUT 3 POS
SCALE 3:1



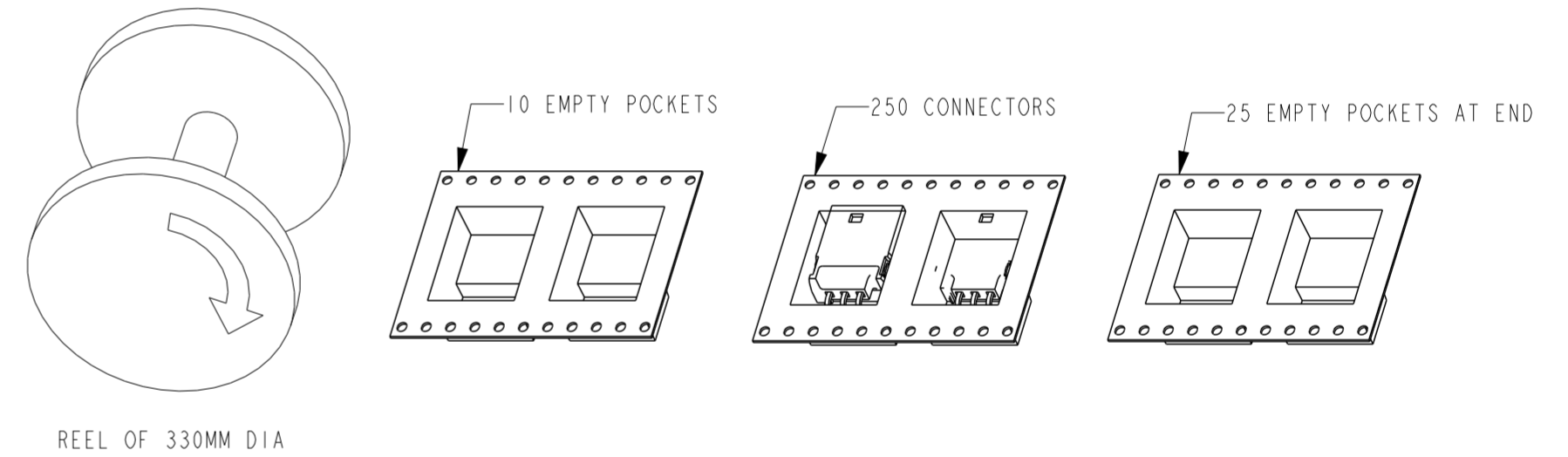
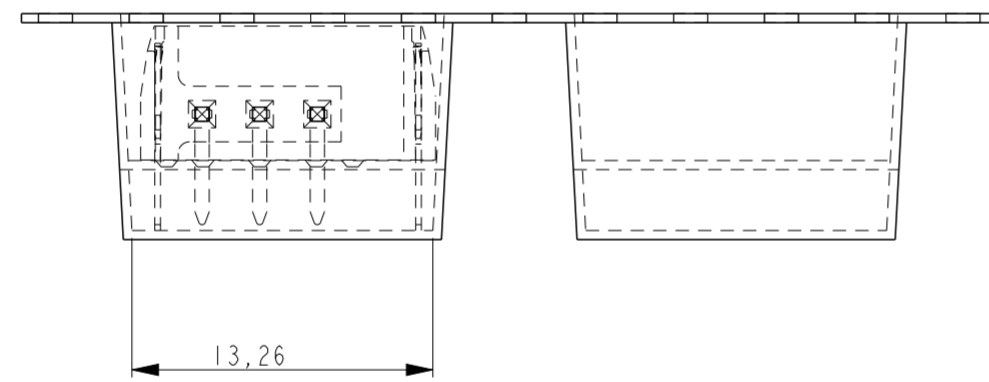
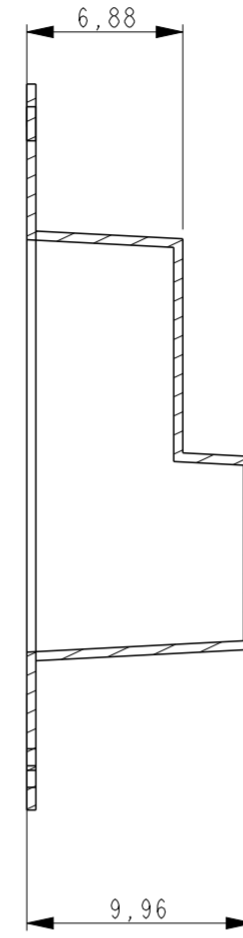
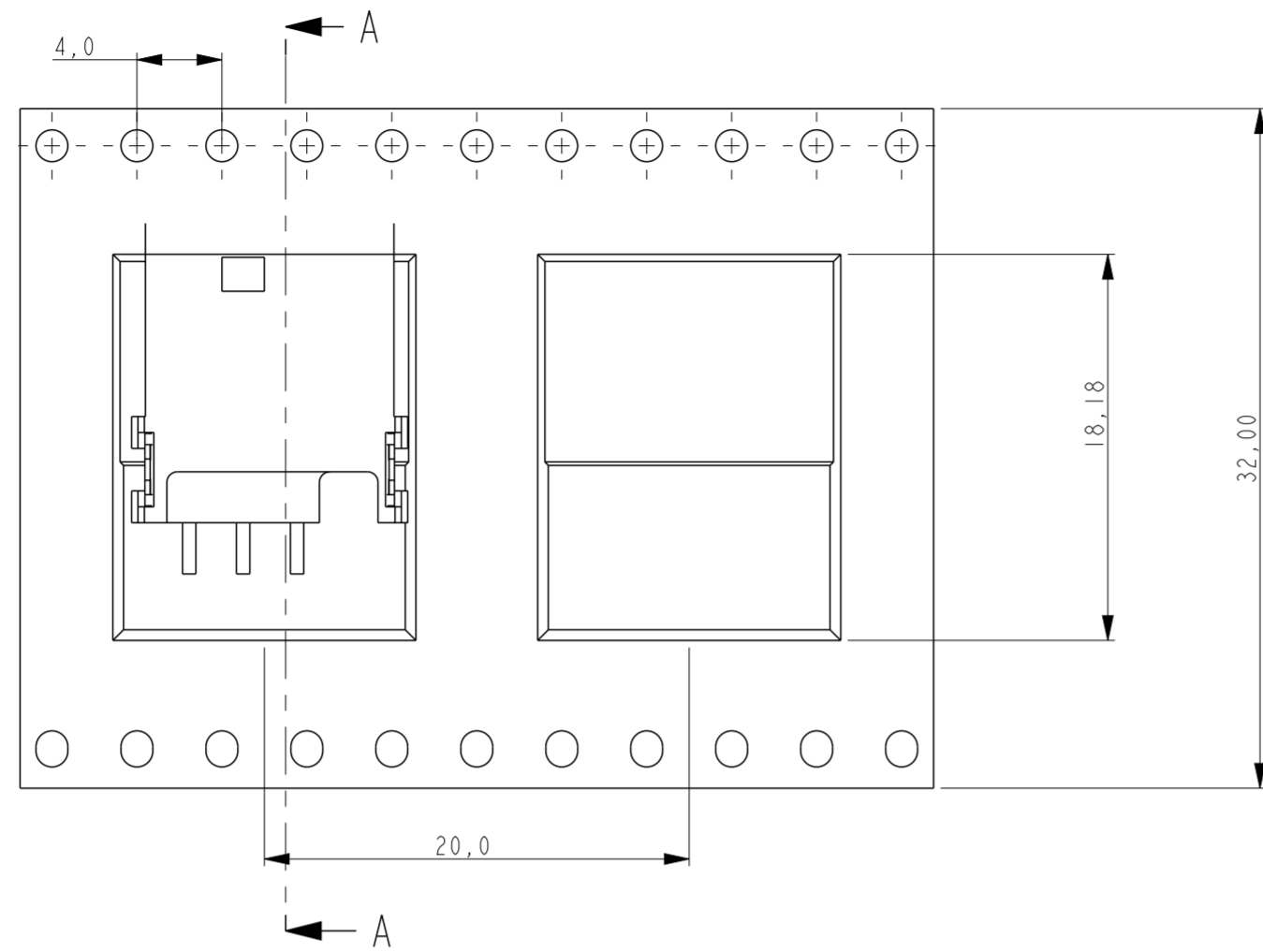
1857167-1 AS SHOWN

FINISH	MATERIAL	DESCRIPTION	FG PART NUMBER
Tin and Nickel	CuZn	BOARDLOCK	1857167-2
Tin and Nickel	CuFe2p	CONTACT	
-	LCP GF 30%	HOUSING	1857167-1
Tin and Nickel	CuZn	BOARDLOCK	
Tin and Nickel	CuFe2p	CONTACT	
-	PA 4.6 30% GF	HOUSING	


THIS DRAWING IS A CONTROLLED DOCUMENT.		DWN 06 JUL 05 J.V.D. HEIJDEN	TE Connectivity	
DIMENSIONS: mm		CHK 03 FEB 2006 D.CAMPSCROER		
TOLERANCES UNLESS OTHERWISE SPECIFIED:		APVD 06 JUL 05 J.BROEKSTEEG	NAME PIN HEADER 3 POSITION TYPE A	
0 PLC ±		PRODUCT SPEC	SIZE CAGE CODE DRAWING NO RESTRICTED TO	
1 PLC ±0,1		APPLICATION SPEC	A2 00779 C-1857167	
2 PLC ±0,05		WEIGHT	SCALE 5:1 SHEET 1 OF 2 REV FI	
3 PLC ±		CUSTOMER DRAWING		
4 PLC ±				
ANGLES ±				
FINISH				

THIS DRAWING IS UNPUBLISHED. RELEASED FOR PUBLICATION
 © COPYRIGHT - ALL RIGHTS RESERVED.

LOC	DIST	REVISIONS				
P	LTR	DESCRIPTION	DATE	DWN	APVD	
IR	-	SEE SHEET 1	-	-	-	



1857167-2 AS SHOWN

THIS DRAWING IS A CONTROLLED DOCUMENT.		DWN J.V.D. HEIJDEN 06 JUL 05	 TE Connectivity	
DIMENSIONS: mm		CHK D.CAMPSCHEER 03 FEB 2006		
TOLERANCES UNLESS OTHERWISE SPECIFIED:		APVD J.BROEKSTEEG 06 JUL 05	PRODUCT SPEC	RESTRICTED TO
0 PLC ±-		APPLICATION SPEC	SIZE A2	CAGE CODE 00779
1 PLC ±0,1		WEIGHT	DRAWING NO C-1857167	SCALE 5:1
2 PLC ±0,05		CUSTOMER DRAWING	SHEET 2	OF 2
3 PLC ±-			REV F1	
4 PLC ±-				
ANGLES ±-				
FINISH				