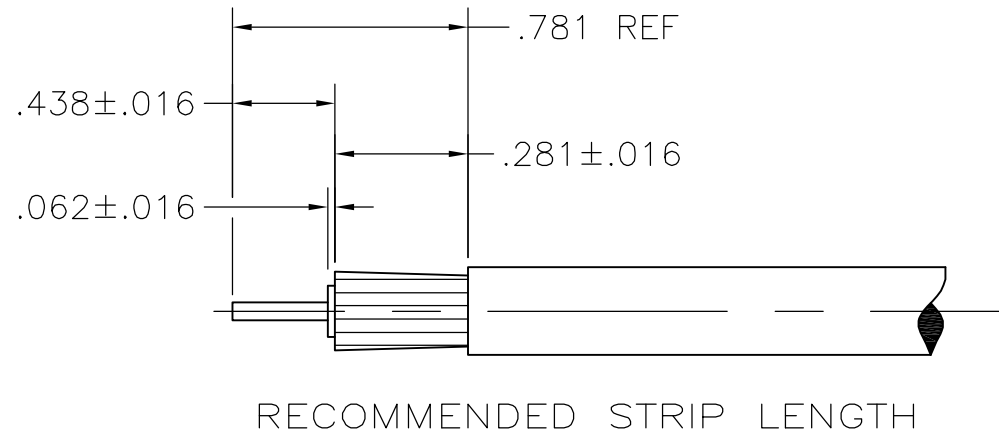
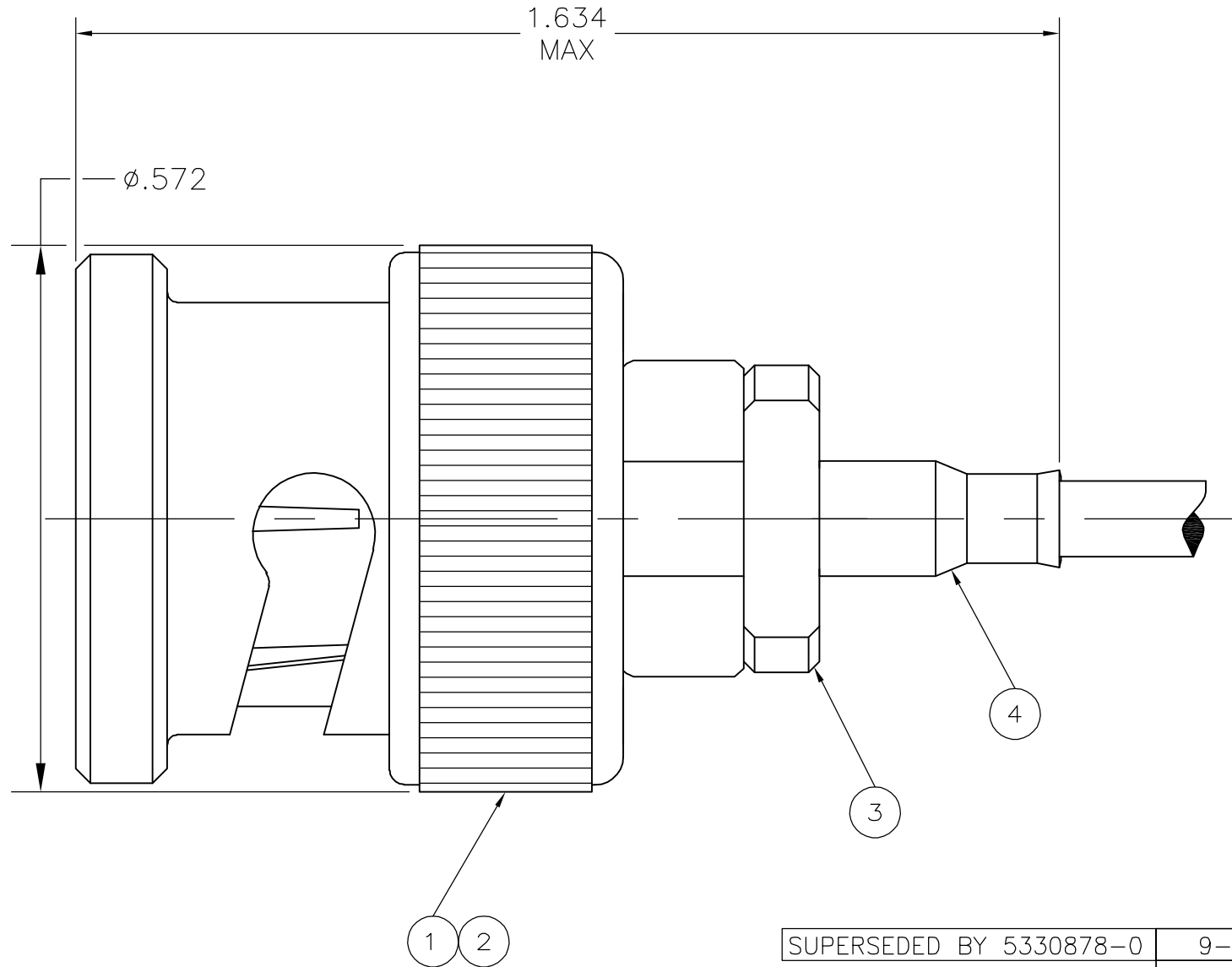


THIS DRAWING IS UNPUBLISHED. RELEASED FOR PUBLICATION  
 © COPYRIGHT BY TYCO ELECTRONICS CORPORATION. ALL RIGHTS RESERVED.

LOC	DIST	REVISIONS			
P	LTR	DESCRIPTION	DATE	DWN	APVD
AJ	16	J	REVISED PER EC OS14-0173-05	26JULY05	BM JL

- FOR USE WITH: BELDEN 8281, WE 724 & 3049 CABLES.
- CRIMPING TOOL: 69652
- SEE INSTRUCTION SHEET 408-1799-1.



SUPERSEDED BY 5330878-0	9-331256-0	1-50780-7	2-329106-1	9-329327-0	9-330878-0
	9-331256-0	1-50780-7	2-329106-1	329327	330878
4 FERRULE QTY=1	3 CRIMP END QTY=1	2 GASKET QTY=1	1 PLUG ASSEMBLY QTY=1	PART NUMBER	

THIS DRAWING IS A CONTROLLED DOCUMENT.		DWN M. E. 05-24-83	Tyco Electronics Corporation Harrisburg, Pa 17105-3608		
DIMENSIONS: INCHES		CHK D. HEIDE 08-26-83			
TOLERANCES UNLESS OTHERWISE SPECIFIED:		APVD G. M. 12-09-83	NAME CONNECTOR, COAXIAL RF PLUG, SERIES BNC		
0 PLC ± - 1 PLC ± - 2 PLC ± - 3 PLC ± - 4 PLC ± - ANGLES ± -		PRODUCT SPEC -	SIZE	CAGE CODE	DRAWING NO
MATERIAL		FINISH	WEIGHT .458 OZ	A300779	C-330878
CUSTOMER DRAWING			RESTRICTED TO -	SCALE NTS	SHEET 1 OF 1
			REV J		