

4

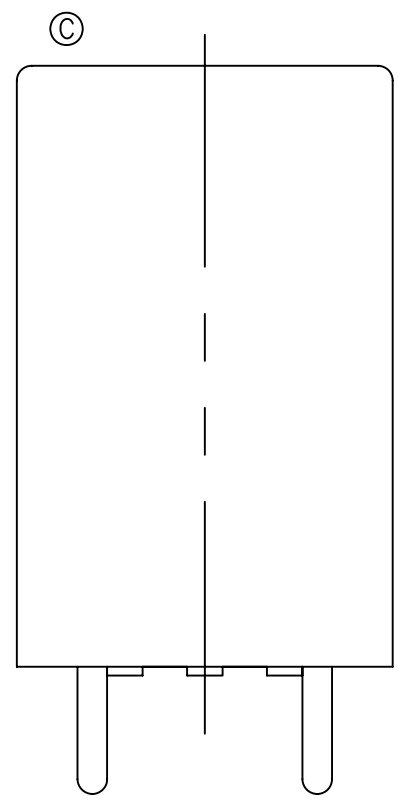
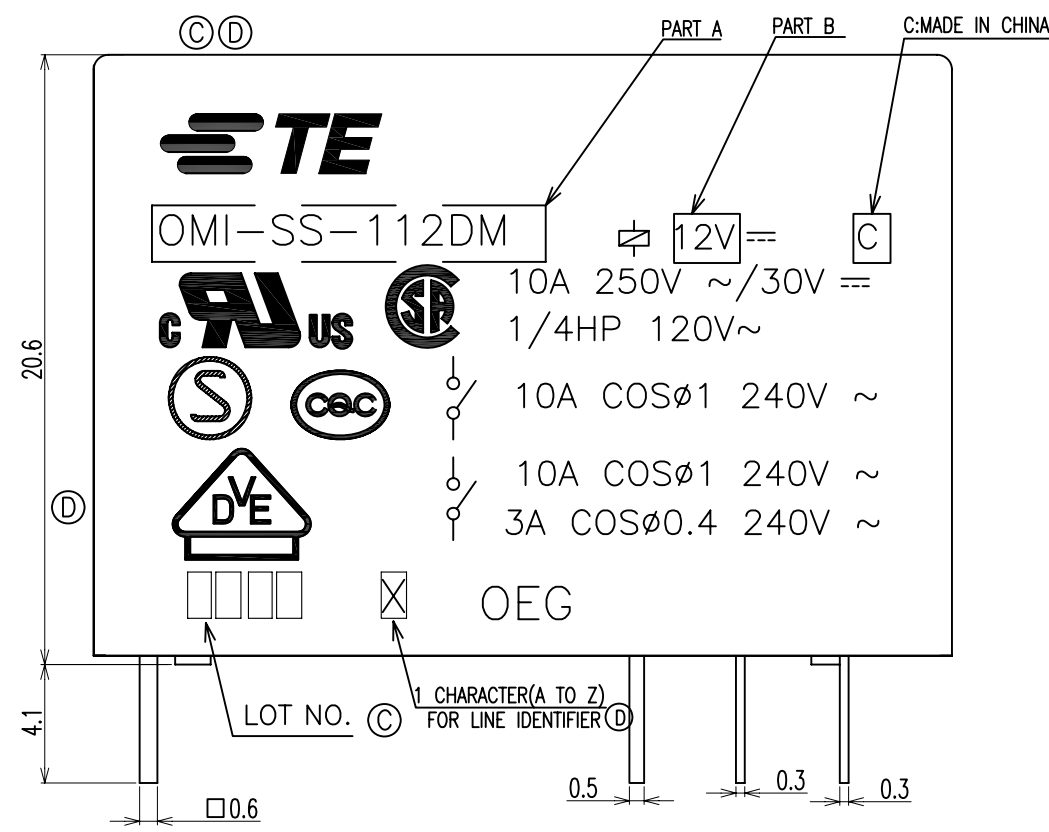
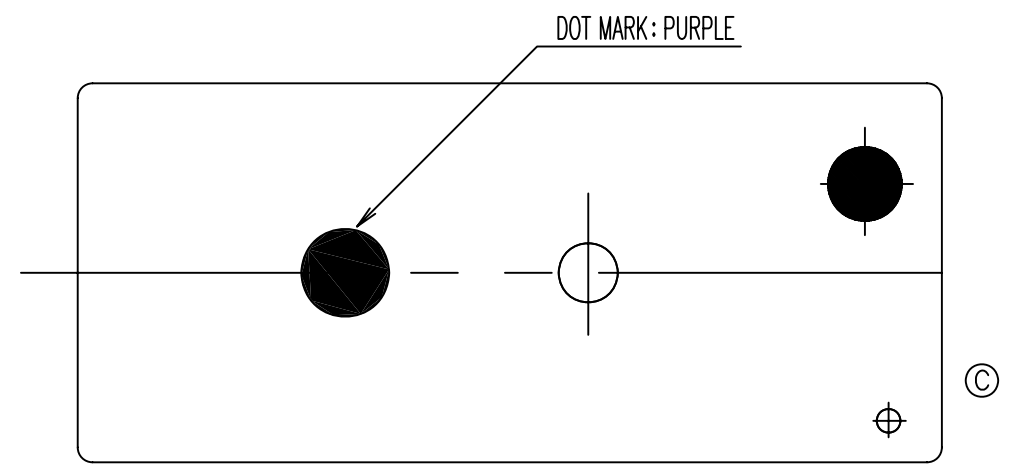
3

2

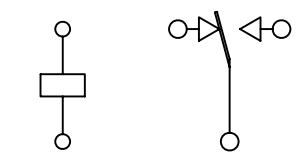
1

THIS DRAWING IS UNPUBLISHED. RELEASED FOR PUBLICATION  
 © COPYRIGHT - By - ALL RIGHTS RESERVED.

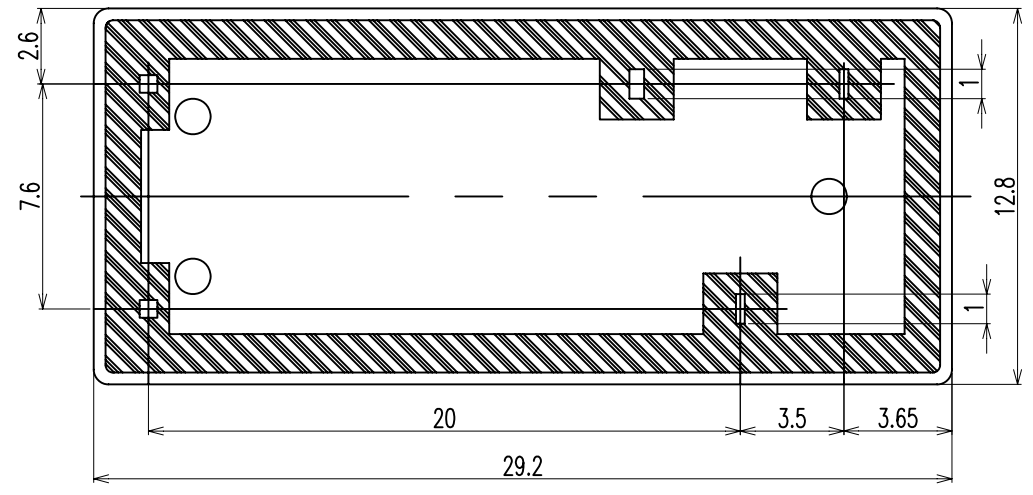
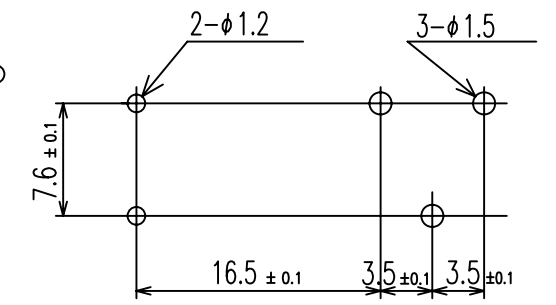
LOC	DIST	REVISIONS					
		P	LTR	DESCRIPTION	DATE	DWN	APVD
HB	-	D		CHANGE LOGO; ADD CQC, LINE IDENTIFIER, PLATING THICKNESS ECO-12-005725	20-AUG-12	D.L	BH.Y



CONNECTION DIAGRAM (BOTTOM VIEW)



DRILLING DIAGRAM(2/1) (BOTTOM VIEW)

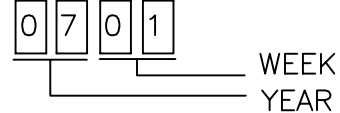


THIS DRAWING IS A CONTROLLED DOCUMENT.		DWN H.SASAKI		TE Connectivity	
DIMENSIONS: mm		CHK Y.OIKAWA			
TOLERANCES UNLESS OTHERWISE SPECIFIED:		APVD A.NAGAI		NAME	
0 PLC ± -		PRODUCT SPEC		-	
1 PLC ± -		APPLICATION SPEC		-	
2 PLC ± -		WEIGHT		-	
3 PLC ± -		SIZE A3		CAGE CODE 00779	
4 PLC ± -		DRAWING NO. C-3-1440000-8		RESTRICTED TO	
ANGLES ± -		CUSTOMER DRAWING		-	
FINISH		SCALE 4:1		SHEET 1 of 2	
		REV D			

THIS DRAWING IS UNPUBLISHED. RELEASED FOR PUBLICATION  
 © COPYRIGHT - By - ALL RIGHTS RESERVED.

LOC	DIST	REVISIONS					
		P	LTR	DESCRIPTION	DATE	DWN	APVD
HB	-						

NOTES:  
 1.-SH- : WASHABLE TYPE  
 2.LOT NO. SYSTEM AS FOLLOWING:



3.GENERAL TOLERANCE AS FOLLOWING:

TOLERANCE	
0~0.99mm	±0.1
1mm~2.99mm	±0.2
3mm MIN.	±0.3

④ 4.FOR THE TIN-PLATING OF THE PINS:  
 +0.1mm FOR WIDTH,THICKNESS AND DIAMETER.  
 +0.5mm FOR LENGTH.

1-1461330-5	OMI-SH-124D,394	OMI-SH-124D	24V
1461330-2	OMI-SH-148D,394	OMI-SH-148D	48V
1461330-1	OMI-SH-148L,394	OMI-SH-148L	48V
4-1440000-3	OMI-SH-124L,394	OMI-SH-124L	24V
4-1440000-0	OMI-SH-112L,394	OMI-SH-112L	12V
3-1440000-8	OMI-SH-112D,394	OMI-SH-112D	12V
TE PART NO	EC TYPE NAME	PART A	PART B

RELAY TYPE

		UV RESIN	UV SEAL	18
		EPOXY RESIN	SEAL	17
UL94 V-0		PBT	CASE	16
		-	TAPE	15
CLASS E		UEW	MAGNETIC WIRE	14
UL94 V-0		PET	BASE	13
UL94 V-0		PBT	BOBBIN	12
	SOLDER DIP	CP WIRE	COIL TERMINAL	11
UL94 V-0		PPS	CARD	10
		Ag ALLOY	MOVABLE CONTACT	9
		Ag ALLOY	STATIONARY CONTACT	8
		Cu ALLOY	HINGE SPRING	7
	SOLDER DIP	Cu ALLOY	B TERMINAL	6
	SOLDER DIP	Cu ALLOY	M TERMINAL	5
	SOLDER DIP	Cu ALLOY	MOVABLE SPRING	4
		STEEL	CORE	3
		STEEL	ARMATURE	2
		STEEL	YOKE	1
INCOMBUSTIBILITY	TREATMENT	MATERIAL	DESCRIPTION	ITEM

THIS DRAWING IS A CONTROLLED DOCUMENT.		DWN H.SASAKI	TE Connectivity	
DIMENSIONS: mm		CHK Y.OIKAWA		
		APVD A.NAGAI	NAME	
TOLERANCES UNLESS OTHERWISE SPECIFIED:		PRODUCT SPEC	OMI-SH-D/L SPEC,394	
0 PLC ± - 1 PLC ± - 2 PLC ± - 3 PLC ± - 4 PLC ± - ANGLES ± -		APPLICATION SPEC	SIZE CAGE CODE DRAWING NO RESTRICTED TO	
MATERIAL FINISH		WEIGHT	A3 00779 C-3-1440000-8	
		CUSTOMER DRAWING	SCALE 4:1	SHEET 2 of 2 REV D