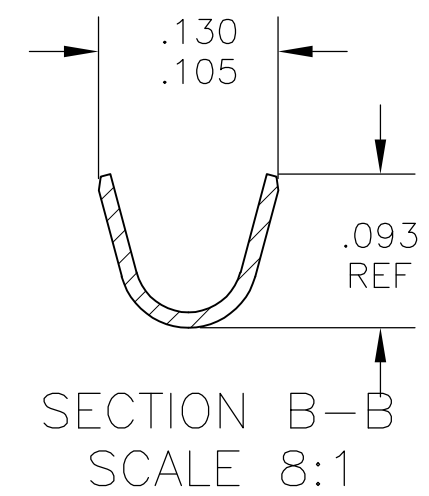
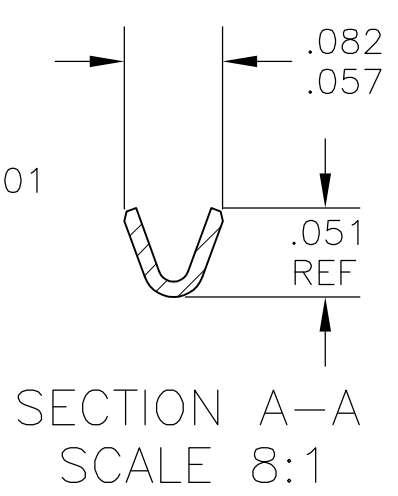
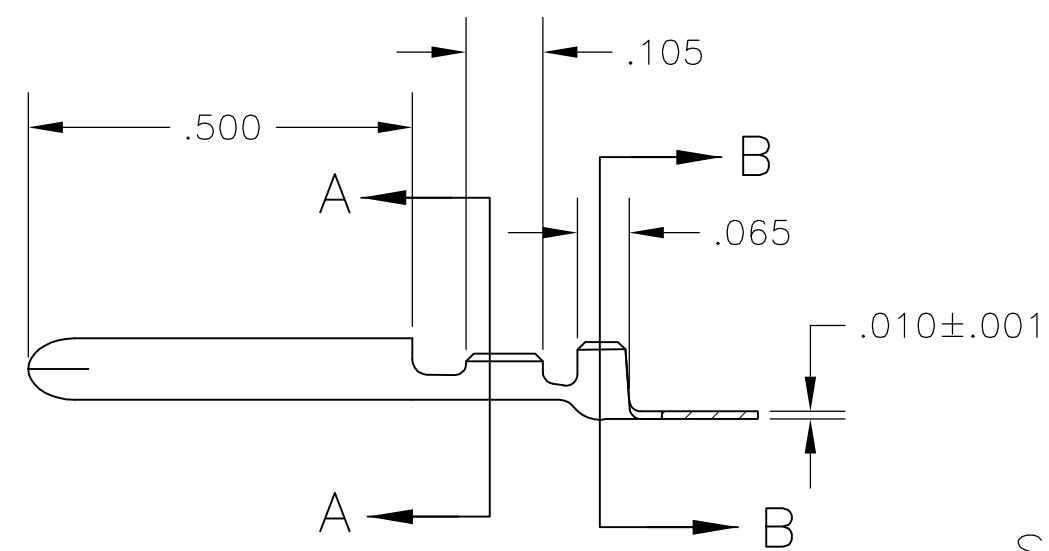
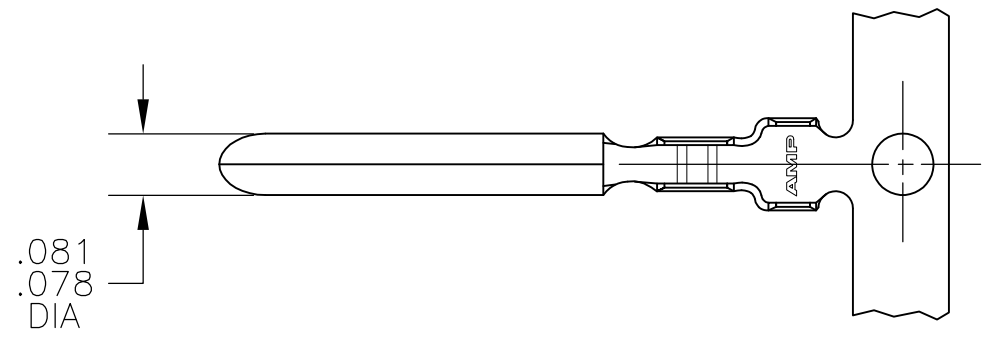


THIS DRAWING IS UNPUBLISHED. RELEASED FOR PUBLICATION
 © COPYRIGHT - BY TYCO ELECTRONICS CORPORATION. ALL RIGHTS RESERVED.

LOC	DIST	REVISIONS			
P	LTR	DESCRIPTION	DATE	DWN	APVD
AF	50	A2	REVISED PER ECR-08-016042	26JUN08	JR DD

- 1 CONTINUOUS STRIP ON REELS
- 2 WIRE SIZE #30-#26 AWG
- 3 INSULATION RANGE IS .042-.073 DIA.
- △ 4 REELS ARE DOUBLE BAGGED IN CARTON.



PLASTIC FLANGE	△ 4 1742377-2
PLASTIC FLANGE	1742377-1
REEL TYPE	PART NO

THIS DRAWING IS A CONTROLLED DOCUMENT.		DWN M.S. FEHER 28OCT2005	Tyco Electronics Corporation Harrisburg, PA 17105-3608	
DIMENSIONS: INCHES		CHK D.F. DECKER 28OCT2005		
TOLERANCES UNLESS OTHERWISE SPECIFIED:		APVD D.F. DECKER 28OCT2005	NAME PIN, .080 DIAMETER	
0 PLC ± - 1 PLC ± - 2 PLC ± - 3 PLC ± .010 4 PLC ± - ANGLES ± 1°		PRODUCT SPEC -	RESTRICTED TO -	
MATERIAL 082 BRASS		FINISH .000080 MIN TIN	APPLICATION SPEC -	SIZE A3
		WEIGHT -	CAGE CODE 00779	DRAWING NO C-1742377
CUSTOMER DRAWING			SCALE 4:1	SHEET 1 OF 1
			REV A2	