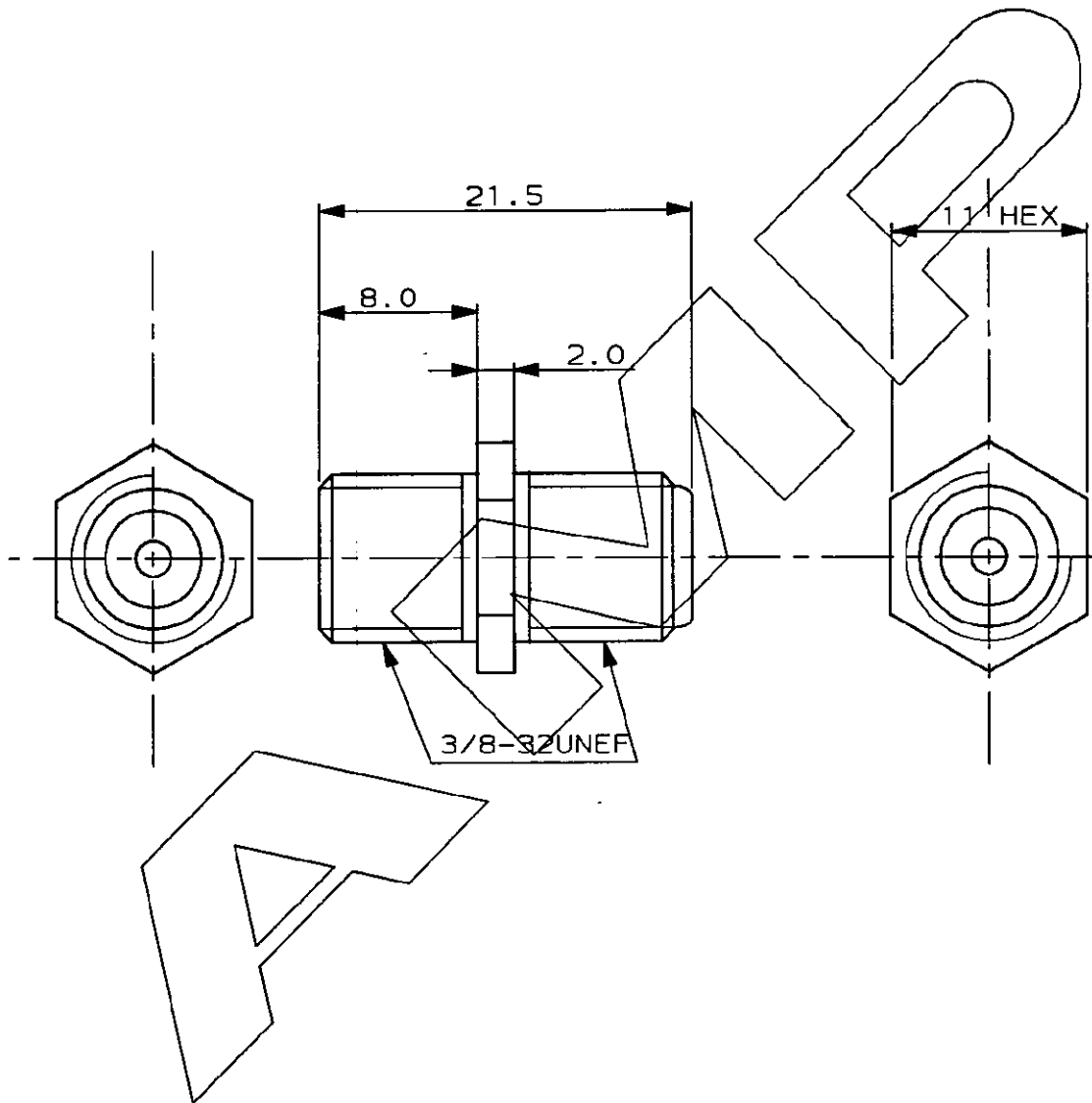


SCALA NON IMPEGNATIVA  
(DO NOT SCALE)  
DIMENSIONI IN mm  
(DIMENSIONS IN mm)

METRIC

PROIEZIONE EUROPEA  
(EUROPEAN PROJECTION)

A  
B  
C  
D



- 1) PERFORMANCE AS PER AMP SPEC. 108-20168
- 2) P/N 282938-1: 100 PIECES FOR BAG

P/N 282938-2 AS SHOWN

CUSTOMER DRAWING  
FOR REFERENCE ONLY

DISEGNO PER CLIENTE  
SOLO PER RIFERIMENTO

THIS DRAWING IS UNPUBLISHED | RELEASE FOR PUBLICATION 19  
 © COPYRIGHT 19 BY AMP INCORPORATED, HARRISBURG, PA. ALL INTERNATIONAL RIGHT RESERVED. AMP PRODUCTS MAY BE COVERED BY U.S. AND FOREIGN PATENT AND/OR PATENT PENDING  
 TOLLERANZE, SE NON DIVERSAMENTE SPECIFICATO | DIAM. ISOLANTE (INS. DIA. RANGE) | RANGO FILO (WIRE RANGE) | SCALA (SCALE)  
 (TOLERANCES, UNLESS OTHERWISE SPECIFIED) | - | - | 2.5:1

± 0.3  
 ANGOLI (ANGLES) ± 2°

**AMP**

AMP ITALIA S.p.A.  
 Corso F.lli Cervi, 15  
 COLLEGNO (TORINO)

DIS. 16 MAY 96 (DR.) M. COLOMBO

DESCRIZIONE (DESCRIPTION)  
 FEMALE/FEMALE "F" SPLICE

B RELEASED, ET00-0475-96

CONT. 16 MAY 96 (CHK) L. MARCHITTO

A FIRST ISSUE, ET00-0216-96

LOC. SIZE NUMERO (DWG NO) REV. FOGLIO (SHEET)

REV. REVISIONI (REVISION RECORD)

DIS DATA (DR) (DATE)

APP. 16 MAY 96 (APP.) C. MARTINS

I A4 C-282938 B

1 01 (OF) 1

DISTRIBUZIONE (PRINT DIST.)