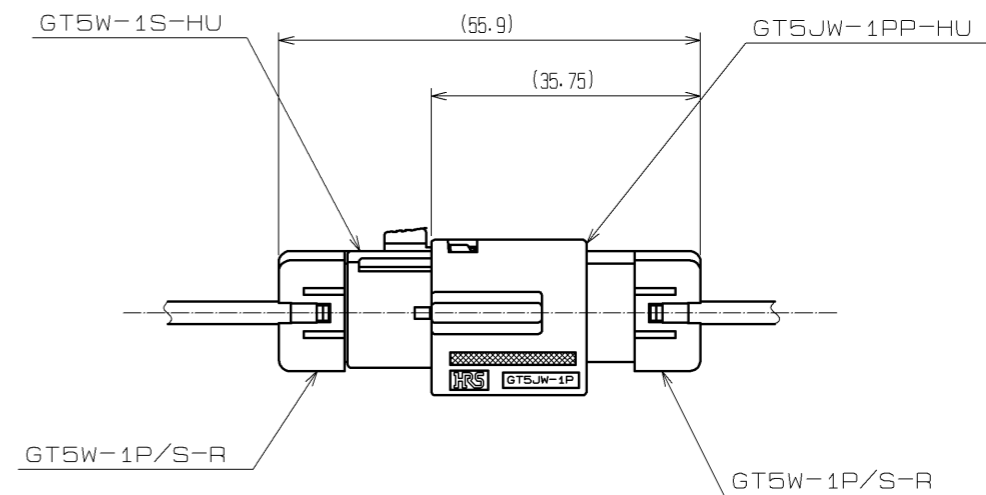
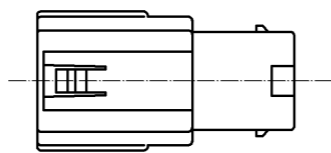
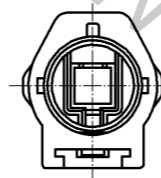
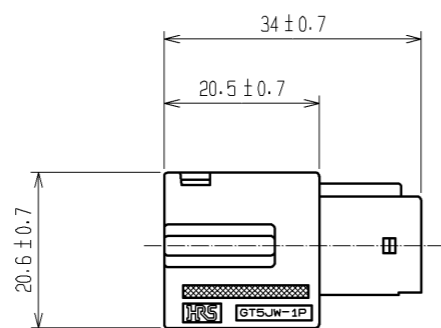
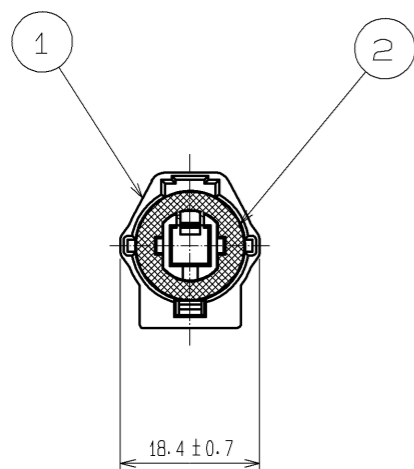
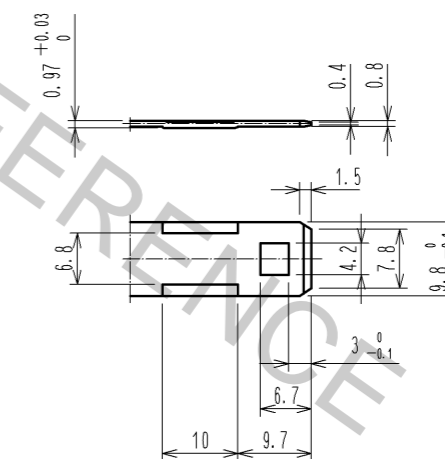


ELV. RoHS COMPLIANT



MATED CONNECTORS



△ DETAIL OF RECOMMENDED FITTING PLATE

NOTE1. THIS CONNECTOR SHALL BE USED WITH A RETAINER APPLICABLE TO CABLE SIZE.

1	PBT-M	LIGHT GRAY	2	SILICONE RUBBER	WHITE		
NO.	MATERIAL	FINISH . REMARKS	NO.	MATERIAL	FINISH . REMARKS		
UNITS mm		SCALE 1 : 1	COUNT 1	DESCRIPTION OF REVISIONS DIS-T-001001	DESIGNED MH. YAMAGUCHI	CHECKED MO. OKADA	DATE 08. 10. 16
HRS HIROSE ELECTRIC CO., LTD.		APPROVED : KS. SATOH	05. 01. 05	DRAWING NO. EDC3-165491-00			
		CHECKED : NH. NAKATA	05. 01. 05	PART NO. GT5JW-1PP-HU			
		DESIGNED : TS. KUBOTA	05. 01. 05	CODE NO. CL755-0069-2-00			
		DRAWN : MO. OKADA	05. 01. 05				