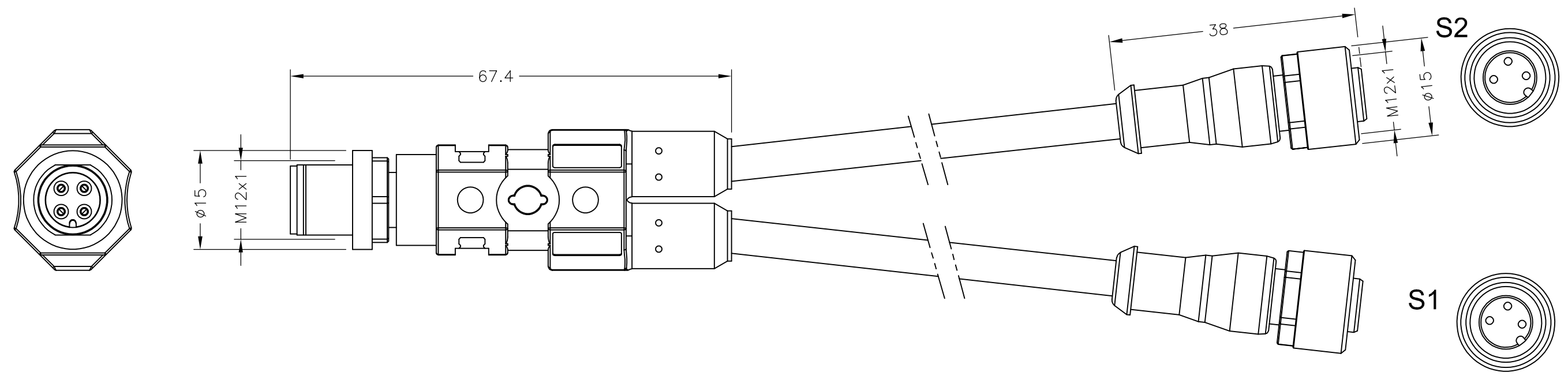
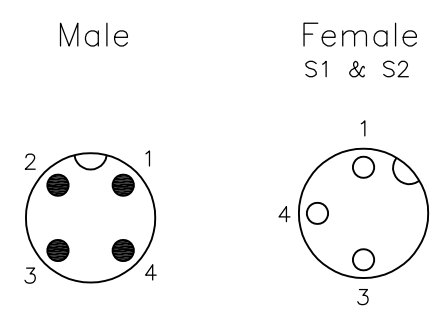


THIS DRAWING IS UNPUBLISHED. RELEASED FOR PUBLICATION
 © COPYRIGHT - By - ALL RIGHTS RESERVED.

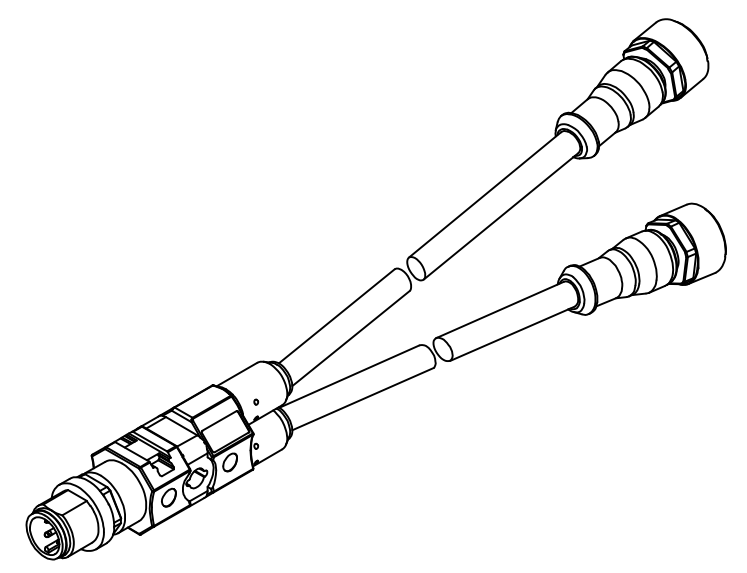
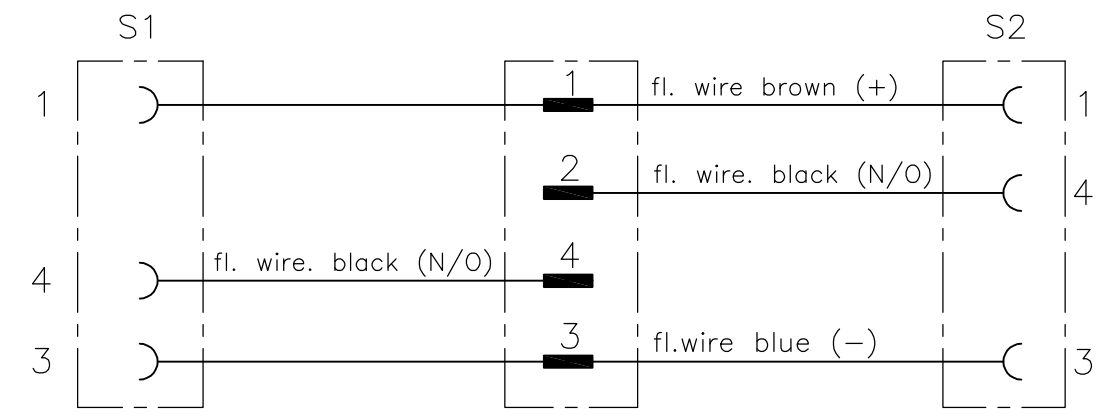
P	LTR	DESCRIPTION	DATE	DWN	APVD
	A1	ECR-14-015049	13OCT2014	GSK	BvH
	A2	ECR-15-000154	07JAN2015	GSK	BvH
	A3	ECR-16-003945	16MAR2016	GSK	BvH



Contact Layout



Schematic diagram



3 POS PVC 2,0M	1-2273107-5
3 POS PVC 1,5M	1-2273107-4
3 POS PVC 1,0M	1-2273107-3
3 POS PVC 0,6M	1-2273107-2
3 POS PVC 0,3M	1-2273107-1
3 POS PUR 2,0M	2273107-5
3 POS PUR 1,5M	2273107-4
3 POS PUR 1,0M	2273107-3
3 POS PUR 0,6M	2273107-2
3 POS PUR 0,3M	2273107-1
DESCRIPTION	TE PN

THIS DRAWING IS A CONTROLLED DOCUMENT.		DWN 23AUG2013 SATHISH KUMAR .G	TE Connectivity	
DIMENSIONS: mm		CHK 23AUG2013 B.VELDHOVEN		
TOLERANCES UNLESS OTHERWISE SPECIFIED:		APVD 23AUG2013 A.VAN ZANDVOORT	NAME M12 Y CONN MALE TO 2XM12 FEMALE A	
0 PLC ± - 1 PLC ± - 2 PLC ± - 3 PLC ± - 4 PLC ± - ANGLES ± -		PRODUCT SPEC 108-19483	RESTRICTED TO	
MATERIAL		APPLICATION SPEC 114-32127	SIZE A3	CAGE CODE 00779
FINISH		WEIGHT	DRAWING NO C-2273107	REV A3
CUSTOMER DRAWING			SCALE NTS	SHEET 1 OF 1