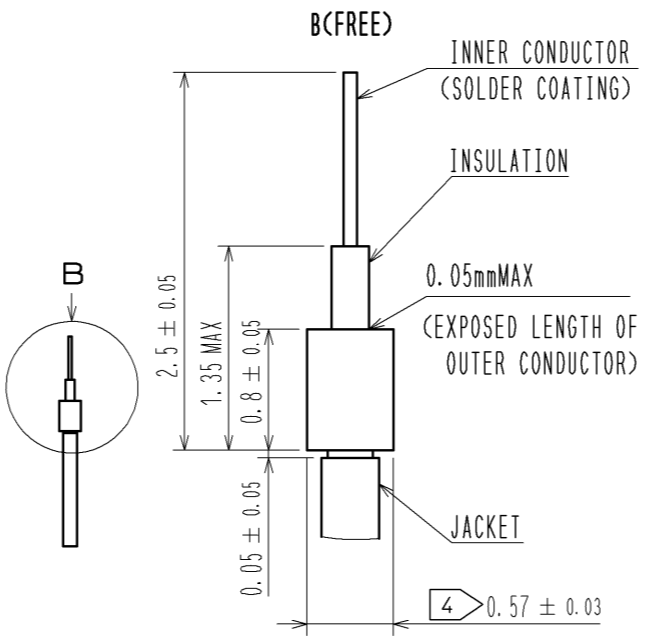
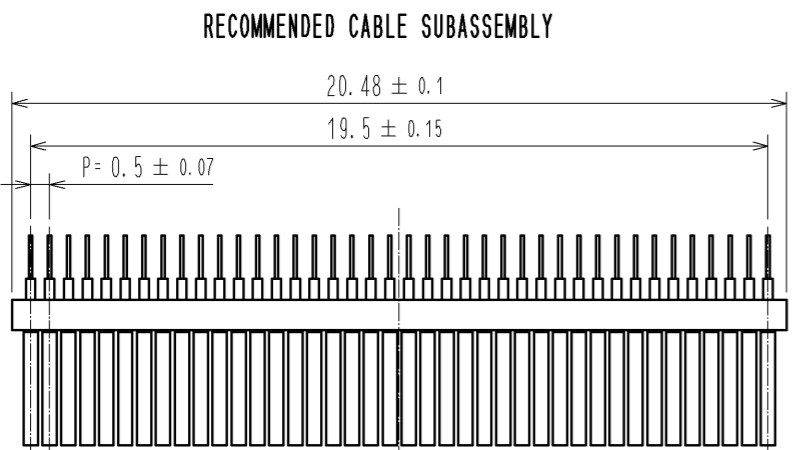


ITEM No.	PART NAME	PART No.	CODE No.
1, 2, 3	CONNECTOR UNIT	DF80D-40P-0.5SD(52)	CL662-8118-0-52
-	METAL SHIELDING	DF80-40P-SHL(52)	CL662-8003-8-52

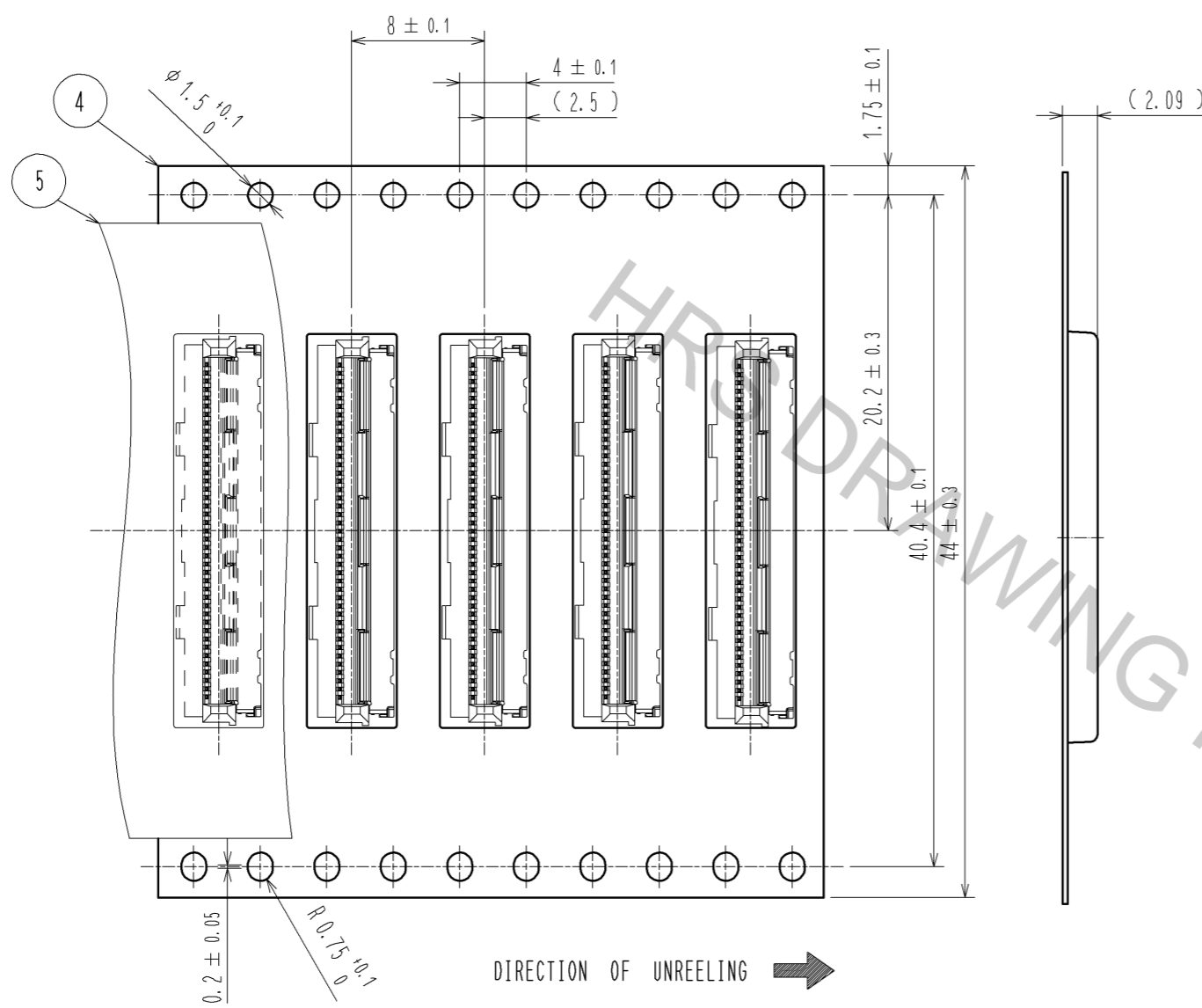
NOTES

1. APPLICABLE CABLE: DISCRETE CABLE(AWG#32~AWG#36) , MICRO COAXIAL CABLE (AWG#40~AWG#46)
2. THIS CONNECTOR IS NOT HOT PLUGGABLE. MATE AND UNMATE WHILE THE POWER IS OFF.
3. THE ASSEMBLY IS COMPLETED BY COMBINING TWO PARTS 'CONNECTOR UNIT, AND METAL SHIELDING'. REFER TO THE TABLE FOR EACH ITEM No. PART NAME, PART No AND CODE No.
4. SOLDER A GRAND BAR WITH AN EXTERNAL CONDUCTOR OF THE CABLE ABOUT STICKING A GRAND BAR TOGETHER.
5. PLEASE CONSULT ABOUT THE USE OF THE POTTING AND KAPTON TAPE SEPARATELY.

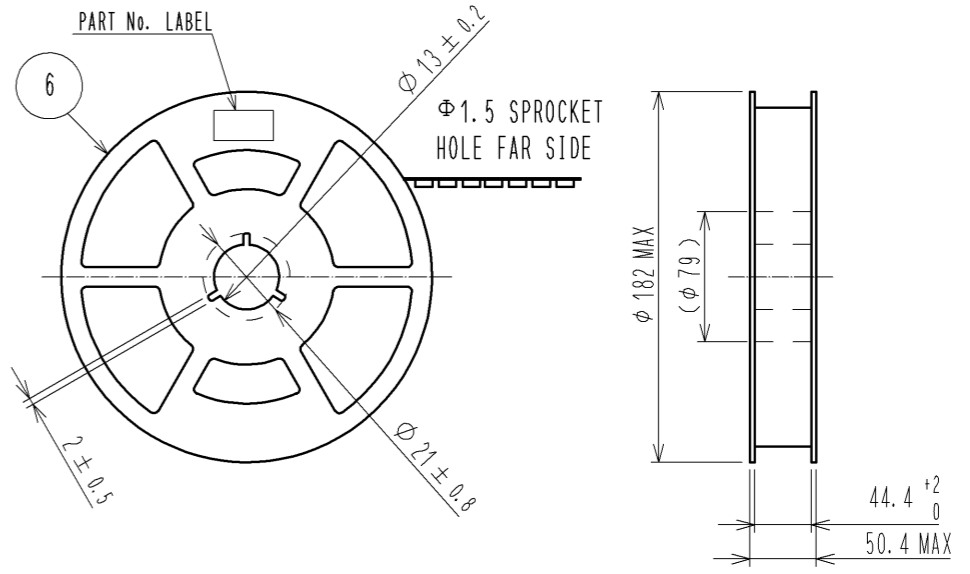


NO.	MATERIAL	FINISH	REMARKS	NO.	MATERIAL	FINISH	REMARKS
2	PHOSPHOR BRONZE		CONTACT AREA : Au PLATING 0.05μmMIN TERMINATION AREA : Au PLATING 0.05μmMIN UNDER PLATING : Ni PLATING 1μmMIN	6	PS		BLACK
1	LCP		UL94V-0 , BLACK	5	PHPOLYESTER		CLEAR
				4	PS		CLEAR
				3	STAINLESS		WHOLE AREA : Sn PLATING 1μmMIN UNDER PLATING : Ni PLATING 0.2μmMIN

UNITS	SCALE	COUNT	DESCRIPTION OF REVISIONS	DESIGNED	CHECKED	DATE
mm	FREE	△				
APPROVED : MH. YAMANE			13.08.30	DRAWING NO. EDC3-351197-02		
CHECKED : MH. TSUCHIDA			13.08.30	PART NO. DF80D-40P-0.5SD(52)		
DESIGNED : IO. DENPOUYA			13.08.29	CODE NO. CL662-8118-0-52		
DRAWN : IO. DENPOUYA			13.08.29	△ 1/2		



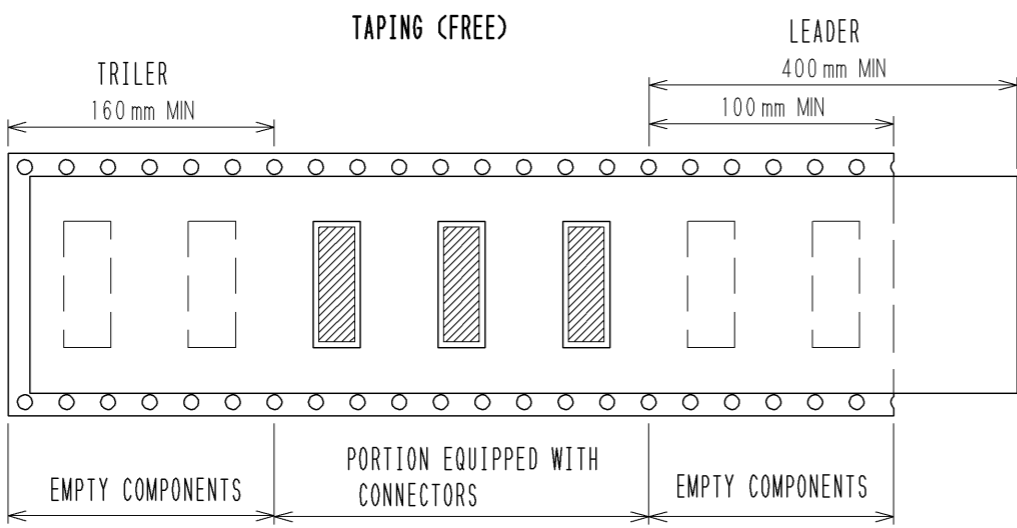
STYLE AND DIMENSION OF REEL (FREE)



DETAIL OF PART No. LABEL

生産月日	年月日
図番	CL662-8118-0-52
品名	DF80D-40P-0.5SD(52)
納入数量	500個
納入者	ヒロセ電機株式会社

- SUPPLIER
- QUANTITY
- PART No.
- CODE No.
- DATE OF MANUFACTURED



HRS	DRAWING NO.	EDC3-351197-02
	PART NO.	DF80D-40P-0.5SD(52)
	CODE NO.	CL662-8118-0-52
		\triangle 2/2