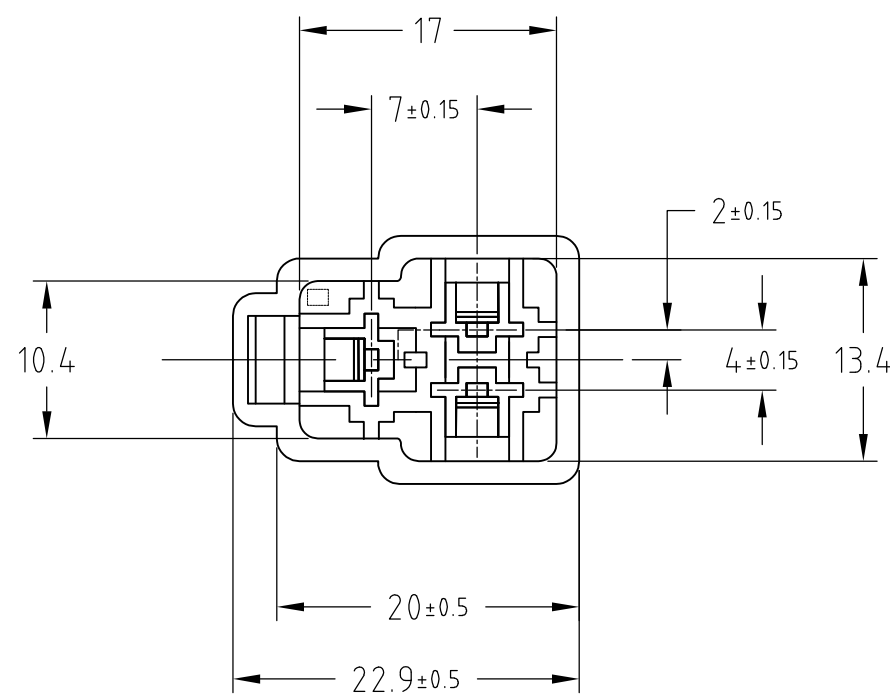
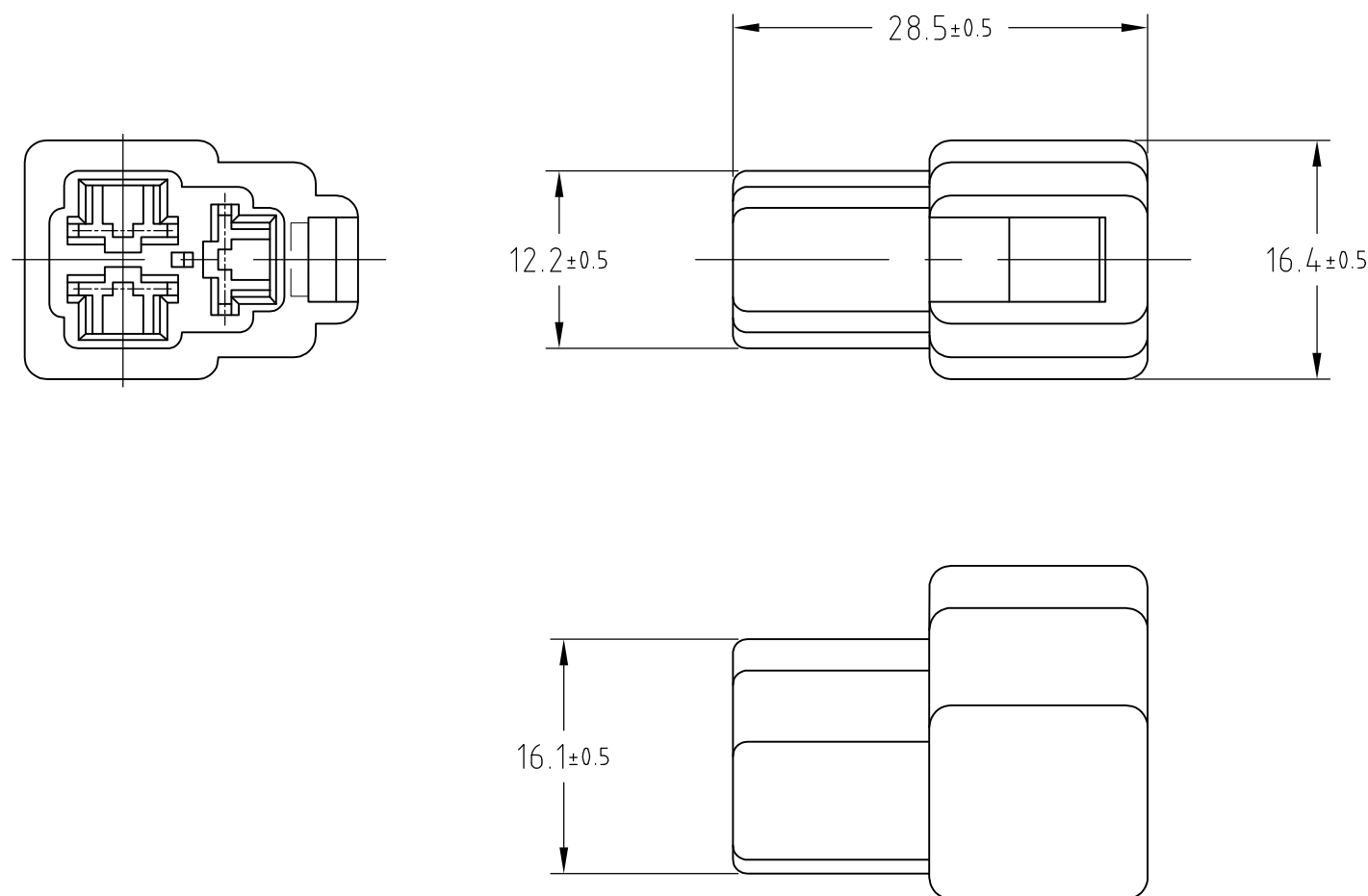


THIS DRAWING IS UNPUBLISHED. RELEASED FOR PUBLICATION
 © COPYRIGHT - By - ALL RIGHTS RESERVED.

LOC	DIST	REVISIONS 変更					
J	-	P	LTR	DESCRIPTION	DATE	DWN	APVD
		E2		REVISED PER ECO-11-005030	11MAR11	RK	HMR



	△4	NATURAL	1-172131-1
△5 OBSOLETE	↑	LIGHT GRAY	6-172131-6
		RED	↑ -9
△5 OBSOLETE		ORANGE	8
		GRAY	-6
		BLUE	-5
△5 OBSOLETE		BROWN	3
		BLACK	-2
	△3	NATURAL	172131-1
	△3	材料 MATERIAL	色調 COLOR
			型番 PART NUMBER

注記
 1. かん合する相手ハウジングは型番172132
 2. 使用端子は型番170340,170341,170349
 △3材料：6/6ナイロン（UL94V-2）
 △4材料：6/6ナイロン（UL94V-0）

NOTES
 1. THE MATING PLUG HOUSING P/N : 172132
 2. APPLIED CONTACT P/N : 170340,170341,170349
 △3 MATERIAL : 6/6NYLON (UL94V-2)
 △4 MATERIAL : 6/6NYLON (UL94V-0)
 △5 OBSOLETE PARTS: OBSOLETE CIS STREAMLINING PER D.RENAUD/D.SINISI

THIS DRAWING IS A CONTROLLED DOCUMENT.		DWN J.SATO 14OCT2008	TE Connectivity 250 SERIES HOUSING LANCE CONNECTOR 3POS CAP HOUSING					
DIMENSIONS: 単位：mm		CHK S.MANABE 14OCT2008				NAME 名称	SIZE	CAGE CODE
TOLERANCES UNLESS OTHERWISE SPECIFIED: 一般公差		APVD S.MANABE 14OCT2008				PRODUCT SPEC 製品規格	DRAWING NO 番号	RESTRICTED TO
≤10 ±0.2 10< ≤30 ±0.25 30< ≤100 ±0.3		APPLICATION SPEC 取付適用規格				WEIGHT	A3	00779
MATERIAL 材料 SEE NOTE		ANGLES 仕上 ±3°	FINISH 仕上	G-172131				
CUSTOMER DRAWING			SCALE 尺度 2:1	SHEET 1 OF 1	REV E2			