


VS-08-KU-IP67-BK

Order No.: 1658684

<http://eshop.phoenixcontact.de/phoenix/treeViewClick.do?UID=1658684>

RJ45 coupling, IP67, CAT5e, with protective cover, color: black

Ethernet**Commercial data**

GTIN (EAN)	 4 046356 163217
sales group	D510
Pack	1 pcs.
Customs tariff	85366990
Catalog page information	Page 201 (PC-2009)

Product notesWEEE/RoHS-compliant since:
10/02/2006

<http://www.download.phoenixcontact.com>
Please note that the data given here has been taken from the online catalog. For comprehensive information and data, please refer to the user documentation. The General Terms and Conditions of Use apply to Internet downloads.

Technical data**Mechanical characteristics**

Number of positions	8
Insertion/withdrawal cycles	≥ 750
Color	black
Ambient temperature (operation)	-10 °C ... 60 °C
Ambient temperature (storage/transport)	-40 °C ... 70 °C

Material data

Inflammability class acc. to UL 94	V0
Housing material	PBT
Contact carrier material	Thermoplastic
Contact material	Copper alloy
Contact surface material	Gold over nickel
Sealing material	NBR
Seal material	NBR
Degree of protection	IP67

Electrical characteristics

Number of positions	8
Transmission characteristics (category)	CAT5 (IEC 11801:2002), CAT5e (TIA 568B:2001)
Rated current	1 A
Surge voltage category	I
Pollution degree	1

Certificates / Approvals

Certification CUL, UL

Accessories

Item	Designation	Description
------	-------------	-------------

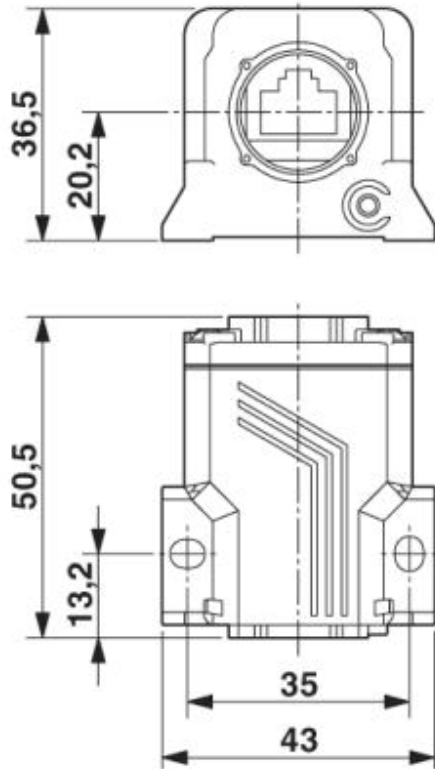
Protective covers

1658066	VS-08-SD-F-BK	Protective cover, IP67, flat design, to cover the contact insert in the panel mounting frame, color: black
---------	---------------	--

Diagrams/Drawings

Dimensioned drawing

RJ45 coupling



Address

PHOENIX CONTACT Deutschland GmbH
Flachmarktstr. 8
32825 Blomberg, Germany
Phone +49 5235 3 12000
Fax +49 5235 3 41200
<http://www.phoenixcontact.de>



© 2011 Phoenix Contact
Technical modifications reserved;