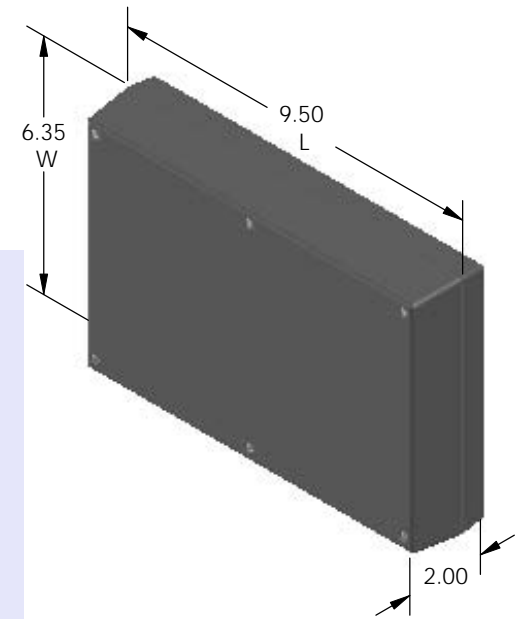
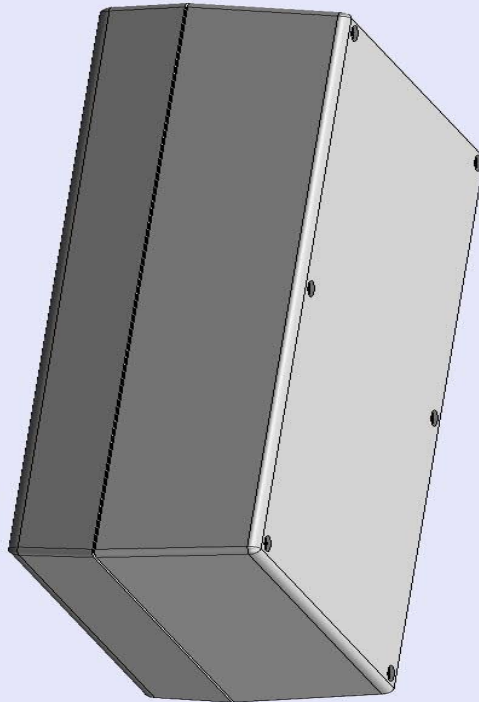


SERPAC 192R (3D exploded)

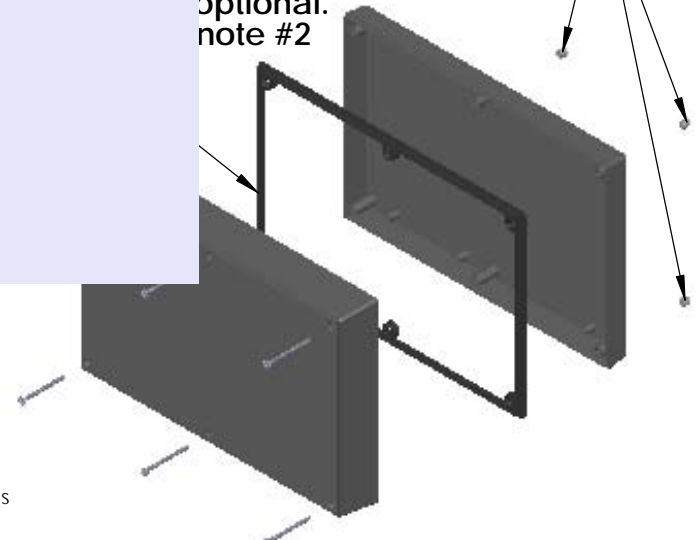
Electronic Enclosures

-Click on image to show toolbar. Use ▶ || to Play/Pause Animation.
 -Left click and drag on image to move 3D model.



Threaded inserts only have to be assembled the first time.

Sealing gasket optional. note #2



- a) Zoom in & out with center wheel.
- b) Pause at any moment to view and or print views.
- c) Change the views to ortho and section views if needed from the Views pull down menu.
- d) Explore options included in the tool bar like: Views, Transparency of model, Lighting type, etc.

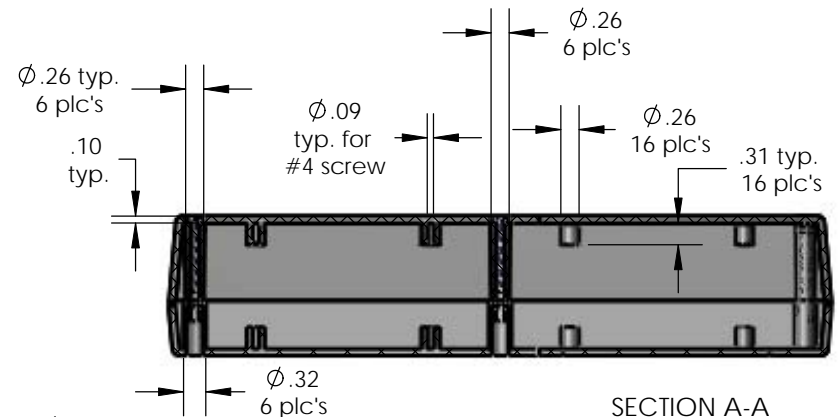
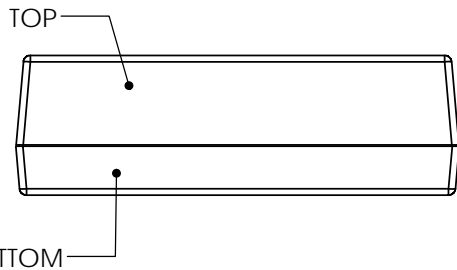
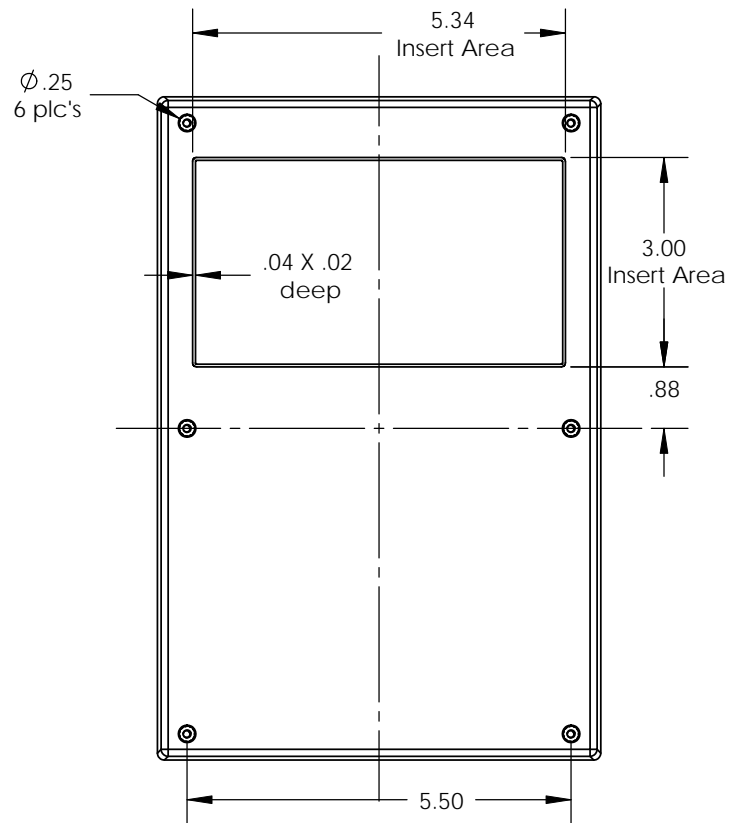
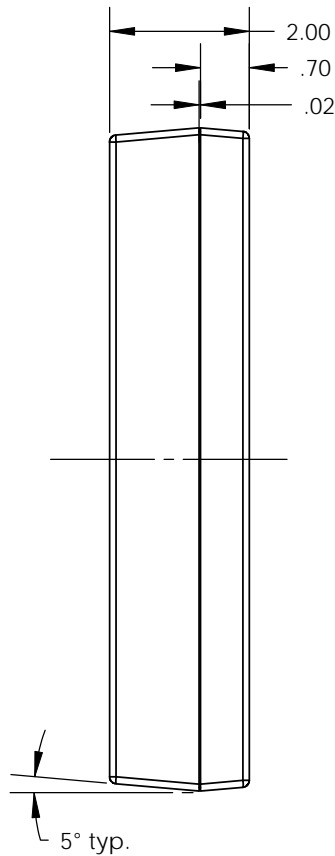
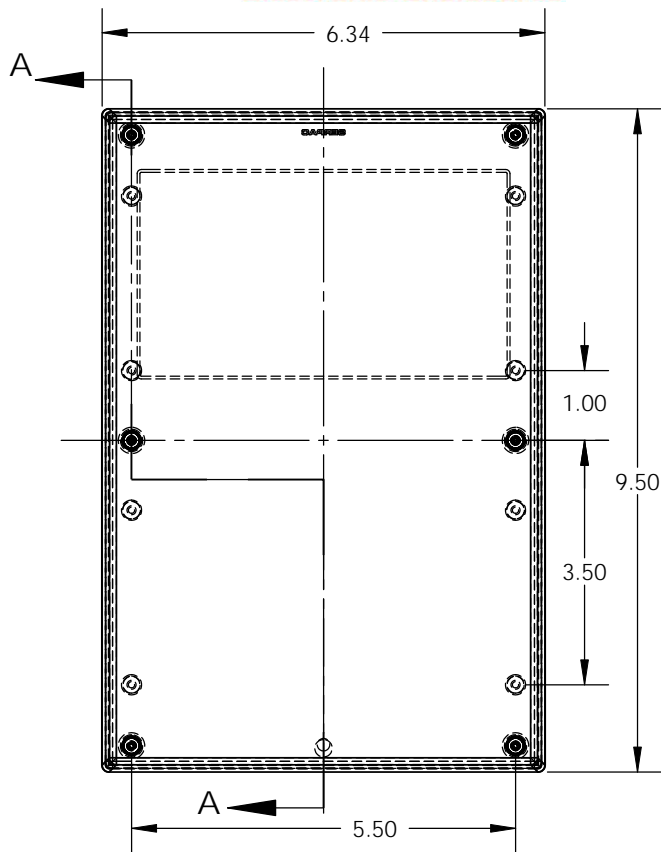
| PART NO. | DESCRIPTION (Included) | ACCESSORIES (Optional) | |
|----------|------------------------|------------------------|----------------|
| 9-2R | TOP | PART NO. | DESCRIPTION |
| 19 | BOTTOM | PS 19 | Perimeter Seal |
| 6018 | 4-40 SCREW (6) | | |
| 6102 | THREADED INSERTS (6) | | |

Notes: Enclosure weight .69 lbs / 315 gm
 1) Enclosure meets or exceeds IP40 and NEMA 1
 2) When used with PS19 the enclosure meets or exceeds IP 66 and NEMA 4X, 12 and 13 MIL-STD-810G 506.5
 3) Circuit Board drawings can be download at:
<http://www.serpac.com/Accessories/CircuitBoard/drawings/19X-CB.pdf>
 4) All components are RoHS Compliant.

ALL DIMENSIONS ARE ± .010" 7/29/10 (1 of 2)
 2009 Wright Ave. La Verne, CA 91750
 Ph. (626) 331-0517 Fx. (626) 331-8584 serpac.com

SERPAC 192R (user print)

Electronic Enclosures



SECTION A-A
SCALE 1 : 2.75

| PART NO. | DESCRIPTION (Included) | ACCESSORIES (Optional) | |
|----------|------------------------|------------------------|----------------|
| 9-2R | TOP | PART NO. | DESCRIPTION |
| 19 | BOTTOM | PS19 | Perimeter Seal |
| 6018 | 4-40 SCREW (6) | | |
| 6102 | THREADED INSERTS (6) | | |

- Notes: Enclosure weight .69 lbs / 315 gm
 1) Enclosure meets or exceeds IP40 and NEMA 1
 2) When used with PS19 the enclosure meets or exceeds IP 67 and NEMA 4X, 12 and 13 MIL-STD-810G 506.5
 3) Circuit Board drawings can be download at:
http://www.serpac.com/Accessories/CircuitBoard/drawings/19X_CB.pdf
 4) All components are RoHS Compliant.