

PLEASE CHECK WWW.MOLEX.COM FOR LATEST PART INFORMATION

Part Number: [19019-0063](#)
Status: **Active**
Description: Avikrimp™ Quick Disconnect, Female, for 14-16 (2.00-1.30mm²) Wire, Mylar Tape, Tab 5.21 x 0.81mm

Documents:

[Drawing \(PDF\)](#) [Product Specification PS-19902-015 \(PDF\)](#)
[Product Specification PS-19902-011 \(PDF\)](#) [RoHS Certificate of Compliance \(PDF\)](#)
[Product Specification PS-19902-014 \(PDF\)](#)

General

Product Family	Quick Disconnects
Series	19019
Crimp Quality Equipment	Yes
Product Name	Avikrimp™
Type	Quick Disconnect
UPC	800755958508

Physical

Barrel Type	Closed
Gender	Female
Glow-Wire Compliant	No
Insulation	Nylon (PA)
Lock to Mating Part	None
Material - Metal	Brass
Net Weight	0.807/g
Orientation	Straight
Packaging Type	Adhesive Tape on Reel
Polarized to Mating Part	No
Tab Thickness	0.81mm
Tab Width	5.21mm
Temperature Range - Operating	-65°C to +105°C
Wire Insulation Diameter	3.50mm max.
Wire Size AWG	14, 16
Wire Size mm ²	1.30 - 2.00

Electrical

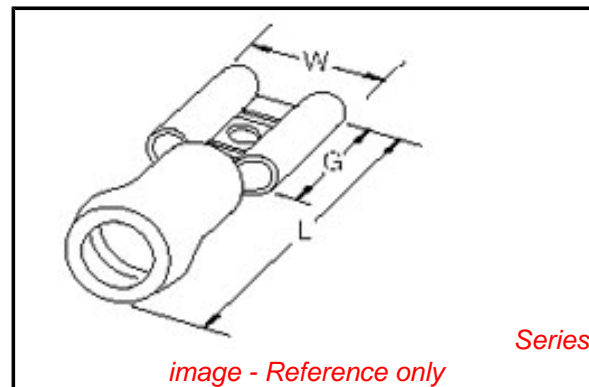
Voltage - Maximum	300V
-------------------	------

Material Info

Old Part Number	BB-8191-032T
-----------------	--------------

Reference - Drawing Numbers

Product Specification	PS-19902-011, PS-19902-014, PS-19902-015
Sales Drawing	SD-19019-001



EU RoHS

ELV and RoHS Compliant
REACH SVHC
 Not Reviewed
Low-Halogen Status
 Not Reviewed

China RoHS



Need more information on product environmental compliance?

Email productcompliance@molex.com
 For a multiple part number RoHS Certificate of Compliance, [click here](#)

Please visit the [Contact Us](#) section for any non-product compliance questions.

Search Parts in this Series

[19019Series](#)

Application Tooling | FAQ

Tooling specifications and manuals are found by selecting the products below. Crimp Height Specifications are then contained in the Application Tooling Specification document.

Global

Description	Product #
Crimp Dies for MTA-100 Tape Applicator used in 3BF Press, MTA-105 Tape Applicator used in TM-2000™ Press, and ATP-301 Air Crimping Press for Mylar Tape Mounted Terminals Mini-Mac™ Applicator	0192880145 0638850900

This document was generated on 10/09/2012

PLEASE CHECK WWW.MOLEX.COM FOR LATEST PART INFORMATION