

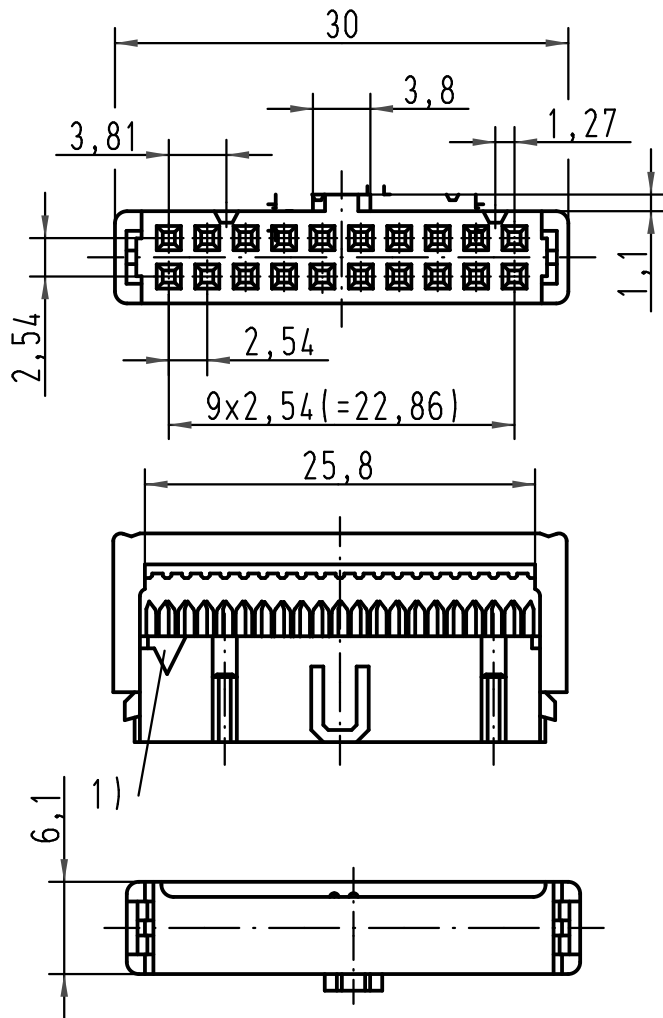
5

4

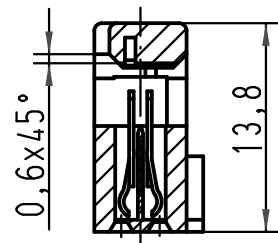
3

2

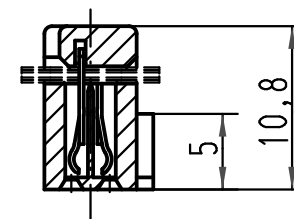
1



vorverrastet
pre assembled
preassemble



verrastet
fitted
assemble



- 1) Markierung erster Kontakt, Ader 1 des Flachkabels
- 1) Contact no.1, 1st wire of flat cable
- 1) Contact no.1, repère 1 du câble

A	0918 520 5803 58U	0,76 μm Au	Bulk packaging MOQ = 5000 pcs	All Dimensions in mm Original Size DIN A 4	Techn. Character.			Nicht tolerierte Masse/ Free size tolerances		
	0918 520 6803 58U	2							SEK 18 Female connector 20 poles with central polarisation cover without cable stop	
	0918 520 7803 58U	3								
	0918 520 5803	0,76 μm Au	N.A.				Massstab/ Scale 2:1			
	0918 520 6803	2	N.A.							
	0918 520 7803	3	N.A.	33797	10/08/06	PK				
	Bestell-Nr. Part-No. Reference	Anforderungsstufe Performance level Niveau de qualite	Index Designation	33788	24/07/06	PK	HARTING EURL F-95972 Paris		TB 09 18 520 X803 Sub.	Blatt/ page 1/1

