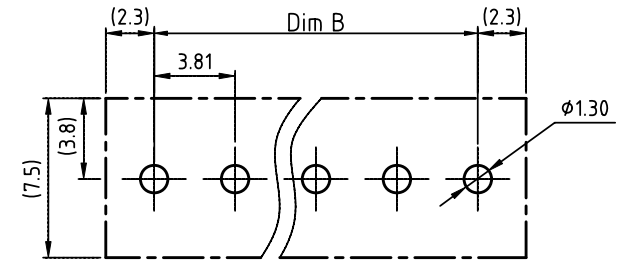
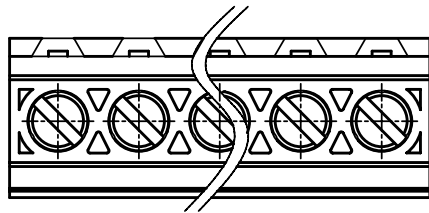
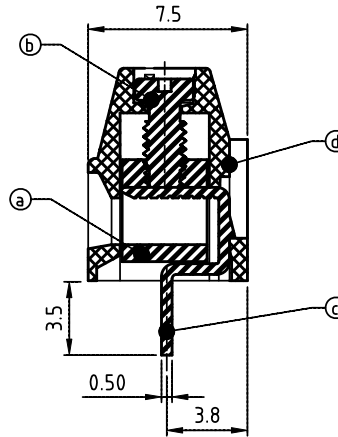
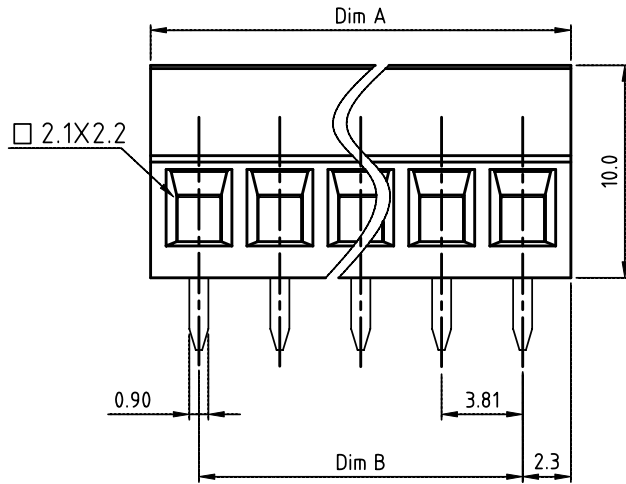


PRODUCT NUMBER	PITCH
EDxx31x000J0G	3.81mm



RECOMMENDED P.C.B LAYOUT  
TOP VIEW



Material

- Item Ⓐ Clamp : Brass , Ni plated
- Item Ⓑ Terminal screw : Steel Zinc plating;"-"/slot type
- Item Ⓒ solder pin : Brass , Tin plated
- Item Ⓓ Terminal housing : Thermoplastic (UL94V-0)

Electrical ULus

- Voltage rating: 300VAC
- Current rating: 8A
- Wire range:
- Solid wire(AWG): 16-24
- Stranded wire(AWG):16-24
- Torque(Lb-In): 2.17
- Screw: M2
- Wire strip length: 6-7mm
- Withstanding Voltage: 1.6KV
- Operating temperature: -40°C to +115°C
- Soldering temperature: 260°C±5°C/5 Sec
- Safety Approval: us

N=Number of poles  
Dimension A&B

Dim A	(N-1)×3.81+4.55
Dim B	(N-1)×3.81

Poles	DimA&B Tolerance
2P-4P	±0.15
5P-8P	±0.20
9P-16P	±0.30
17P-24P	±0.40

PART NO.: ED xx 3 1 x 0 00J0 G

Solid Block	No. of poles	Color	RoHS compliant (lead<4%) In copper Alloy
0	2	Black (RAL9005)	
02	2 poles	Red (RAL3001/D)	
03	3 poles	Orange(RAL2011/P)	
...	...	4 Yellow(RAL1018/A)	
...	...	5 Green(RAL6018/T)	
24	24 poles	6 Blue (RAL5015/A)	
		8 Grey(RAL7035/D)	
		9 White(RAL1102)	
		C Green(RAL6018/U)	

mat'l. code		surface ASME Y14.5	tolerance ASME Y14.5	projection	product family TERMINAL BLOCK
ltr	ecn no	dr	date		title TERMINAL BLOCK
				tolerances unless otherwise specified	scale RISING CLAMP,SOLID BLOCK,180D WIRE INLET
				angles X±0.5	MM
				fillet X.X±0.3	dwg no EDxx31x000J0G
				X*±1° X.XX±0.1	sheet 1 of 1 size A4
				dr EVIN ZHONG 040714	FCI CUSTOMER Drawing
				enrg EVIN ZHONG 040714	
				chr HANKE FENG 040714	
				appd SHI JUN 040714	
sheet index	revision	A			
	sheet	1			