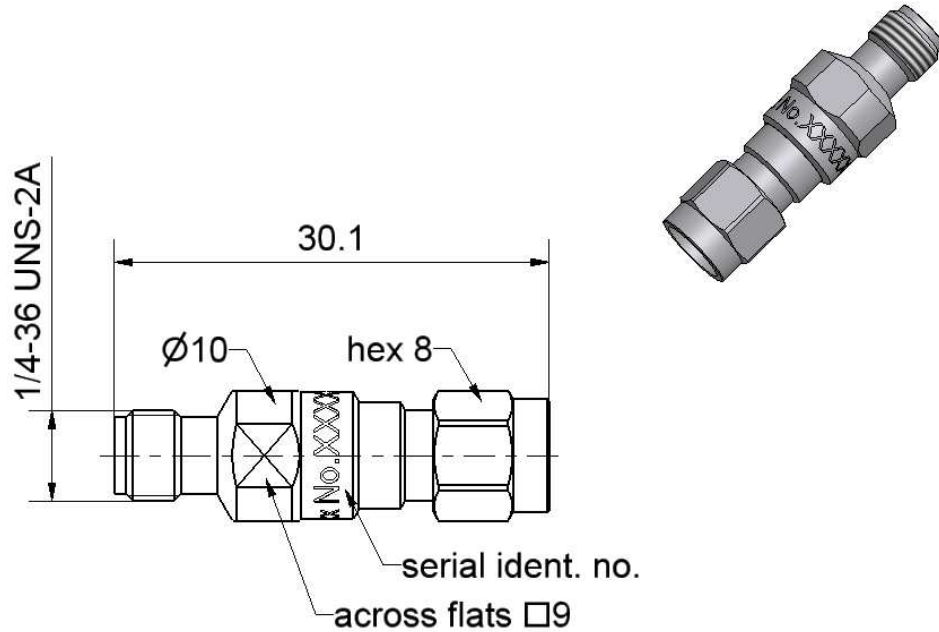


RPC-3.50

Attenuator
Plug/Jack

03AS102-K30S3



All dimensions are in mm; tolerances according to ISO 2768 m-H

Interface

According to IEC 60169-23
Mechanically compatible with RPC-2.92 and SMA

Documents

N/A

Material and plating

Connector parts

Center conductor - plug
Center conductor - jack
Outer conductor
Coupling nut
Dielectric
Substrate

Material

CuBe
CuBe
Stainless steel
Stainless steel
PEEK
Al₂O₃

Plating

Gold, min. 1.27 µm, over nickel
Gold, min. 1.27 µm, over nickel
Passivated
Passivated

Dieses Dokument ist urheberrechtlich geschützt • This document is protected by copyright • Rosenberger Hochfrequenztechnik GmbH & Co. KG

RF_35/09;14/6.2

Technical Data Sheet

Rosenberger

RPC-3.50

Attenuator
Plug/Jack

03AS102-K30S3

Electrical data

Impedance 50 Ω
Frequency range DC to 26.5 GHz
Return loss ≥ 26.4 dB, DC to 4 GHz
 ≥ 23.1 dB, 4 GHz to 12.4 GHz
 ≥ 19.1 dB, 12.4 GHz to 26.5 GHz
Attenuation 30 dB \pm 0.7 dB, DC to 26.5 GHz
Power handling 1 W at 25 °C

Mechanical data

Mating cycles ≥ 500
Maximum torque 1.70 Nm
Recommended torque 0.90 Nm
Gauge 0.00 mm to 0.08 mm

Environmental data

Operating temperature range¹ 0 °C to +50 °C
Storage temperature range - 40 °C to +85 °C

RoHS compliant

¹ Temperature range over which these specifications are valid.

Packing

Standard 1 pce in box
Weight 8.9 g/pce

While the information has been carefully compiled to the best of our knowledge, nothing is intended as representation or warranty on our part and no statement herein shall be construed as recommendation to infringe existing patents. In the effort to improve our products, we reserve the right to make changes judged to be necessary.

Draft	Date	Approved	Date	Rev.	Engineering change number	Name	Date
Kerstin Herzog	04.10.05	Markus Müller	25.10.16	f00	16-1390	Marion Striegler	25.10.16
Rosenberger Hochfrequenztechnik GmbH & Co. KG P.O.Box 1260 D-84526 Tittmoning Germany www.rosenberger.de				Tel. : +49 8684 18-0 Email : info@rosenberger.de			Page 2 / 2