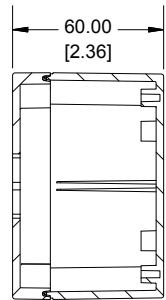
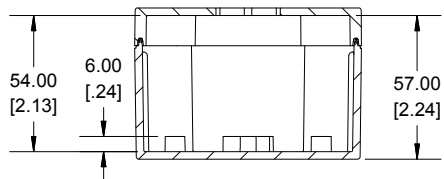


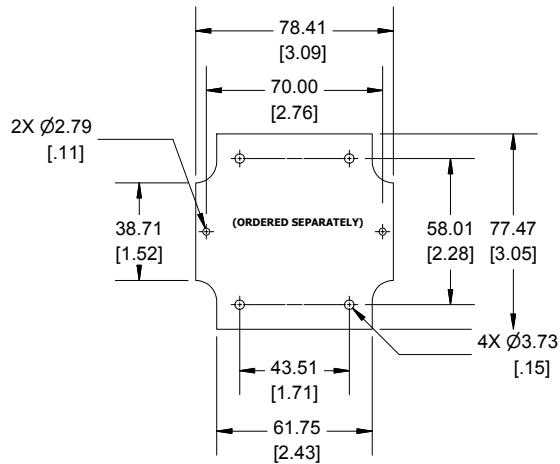
ASSEMBLY



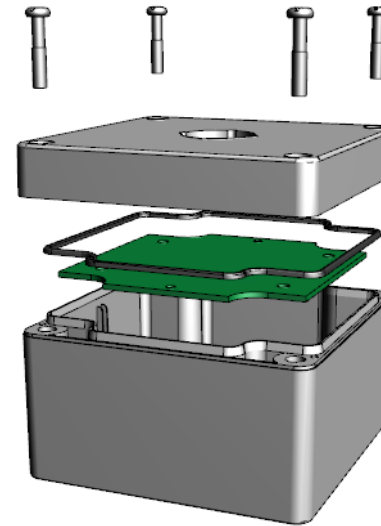
SECTION A-A



SECTION B-B



STEEL INNER PANEL



SEE ENCLOSURE 1554E
FOR MORE DETAIL

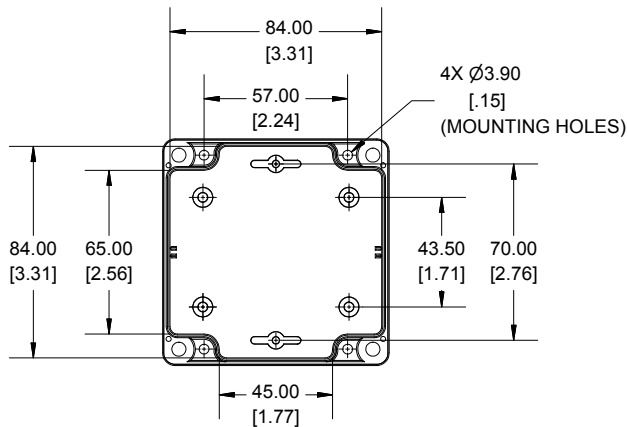


Enclosures can be Factory Modified (Milling, Drilling, Printing etc.)
Contact Factory mjm@hammondmfg.com for quotes
Solid models of this enclosure available in STEP or IGES.
(Part number and text placement/orientation on our products are subject to change, we do not recommend using them as a locating reference for modification purposes)

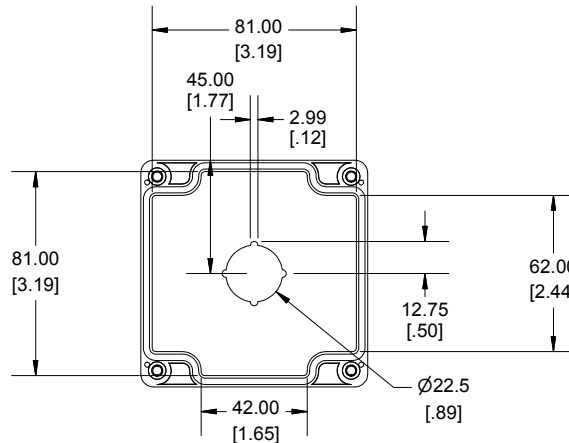
NOTE

Purchased assembly includes box, lid, 4 cover screws, and preformed silicone gasket.
Polycarbonate version is UL 508 approved. (Matl UL94 - 5VA @ 3mm)
Lid accepts 22.5mm push buttons

Recommended Cover screw torque -- 2.5 lbf-in (30 cN-m)



BOX - INSIDE



LID - INSIDE

Dimensions:
mm
[inches]

| 1554MPB | |
|--|------------|
| 1554MPB Enclosure | |
| Polycarbonate RAL-7035 | 1554MPB1 |
| ACCESSORIES | |
| Steel Inner Panels | 1554EPL |
| Steel Panel / P.C. Board Machine Screw [M3 x 8mm Plated] | 1591MM100 |
| Steel Panel / P.C. Board Self Tapping Screw [#6 X 1/4" (6.4mm) Plated] | 1598ATS100 |
| Cover Screws (Pkg 4) [M4 X 20mm Stainless Steel] | SC1554 |

HAMMOND MANUFACTURING
1554MPB1
www.hammondmfg.com