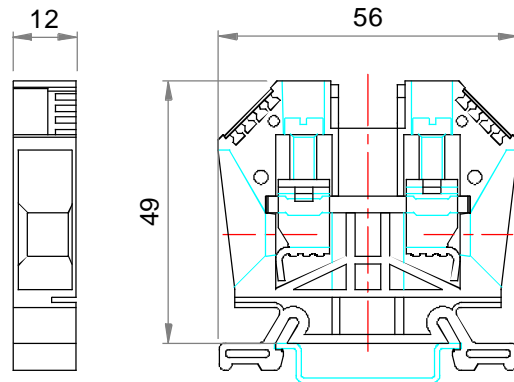


Part number description :

10134255-XXXLF

LF: Lead Free, RoHs compliant, see note

XXX : Color ref or/and version



Note : THIS PRODUCT MEETS EUROPEAN UNION DIRECTIVES
AND OTHER COUNTRY REGULATIONS AS PER GS-47-0004

PN	Colour	Version
10134255-001LF	grey	
10134255-002LF	blue	
10134255-003LF	yellow-green	
10134255-004LF	yellow	

TECHNICAL DATA / DIMENSIONS

Dimensions	
Width mm	12.0
Length mm	56.0
Height mm	49.0
Mounting type (EN 60715)	Omega TH35
Technical data	
Maximum load current	101A
Insulating material	PA
Self-extinguishing degree acc. to UL94	V2
Rated surge voltage	8kV
Pollution degree	3
Surge voltage category	III
Insulating material group	I
Nominal Voltage	1000V
Nominal Current	101A
Connection data	
Conductor cross-section solid min/max	1.50 / 25 mm ²
Conductor cross-section stranded min/max	1.50 / 16 mm ²
AWG min/max	14-4AWG
Max conductor cross-section stranded with ferrule with plastic sleeve	25 mm ² / L=18 mm
Stripping length	max 12 mm
Screw	M5
Tightening torque	2.0Nm / 30 Lb-In

ACCESSORIES

Item	Description
Marking	
10134398-001LF	Blank single-digit marking tags
10134398-002LF+	Printed single-digit marking tags numbered : 1÷0
10134398-011LF	
10134398-012LF+	Printed single-digit marking tags with letter: A-Z
10134398-041LF	
10134399-001LF	Marking tag adapter
10134400-001LF	Blank Marking tags
10134401-001LF	Blank Marking tags

DIN RAIL system - Mounting and Installation material

10134392-001LF	Steel Omega Rail TH35x7,5mm -2mt length
10134393-001LF	Slotted Steel Omega Rail TH35x7,5mm -2mt length
10134394-001LF	Steel Omega Rail TH35x15mm -2mt length
10134395-001LF	Slotted Steel Omega Rail TH35x15mm -2mt length
10134387-001LF	Angled support bracket
10134389-001LF	End Bracket for TH35 Omega rail -Width 9mm
10134390-001LF	End Bracket for TH35 Omega rail -Width 6mm
10134391-001FL	Fast-snap End Bracket for TH35 Omega rail

Additional items

10134261-001LF	End Plate for SCREW Terminal Block 16-25
10134269-001LF	Cover for SCREW Terminal Block 16-25
10134266-001LF	Screw Jumper bar for SCREW Terminal Block 16-25
10134266-002LF	Screw Jumper bar for SCREW Terminal Block 16-25

APPROVALS



AWG 14-4 - 600V - 85A



RINA

EN60947-7-1 25mm² - 1000V - 101A

surface ✓

spec ref	tolerance std	ISO 406	ISO 1101	ISO 1302	dir	Aymeric Soudy	11-06-2015	projection	MM	size	A3	scale	1:1
		TOLERANCES UNLESS OTHERWISE SPECIFIED			eng	Aymeric Soudy	11-06-2015			ecn no			
					chr					rel level			
					appr	Aymeric Soudy	11-06-2015	product family	DIN Terminal Block				
					surface	linear	0.X	± 0.3	FCJ	title	SCREW Terminal block 16-25	dwg no	10134255
						angular	0°	± 2°	www.fcicon	cat. no.	-	Product customer drawing	rev
												sheet 1 of 1	A