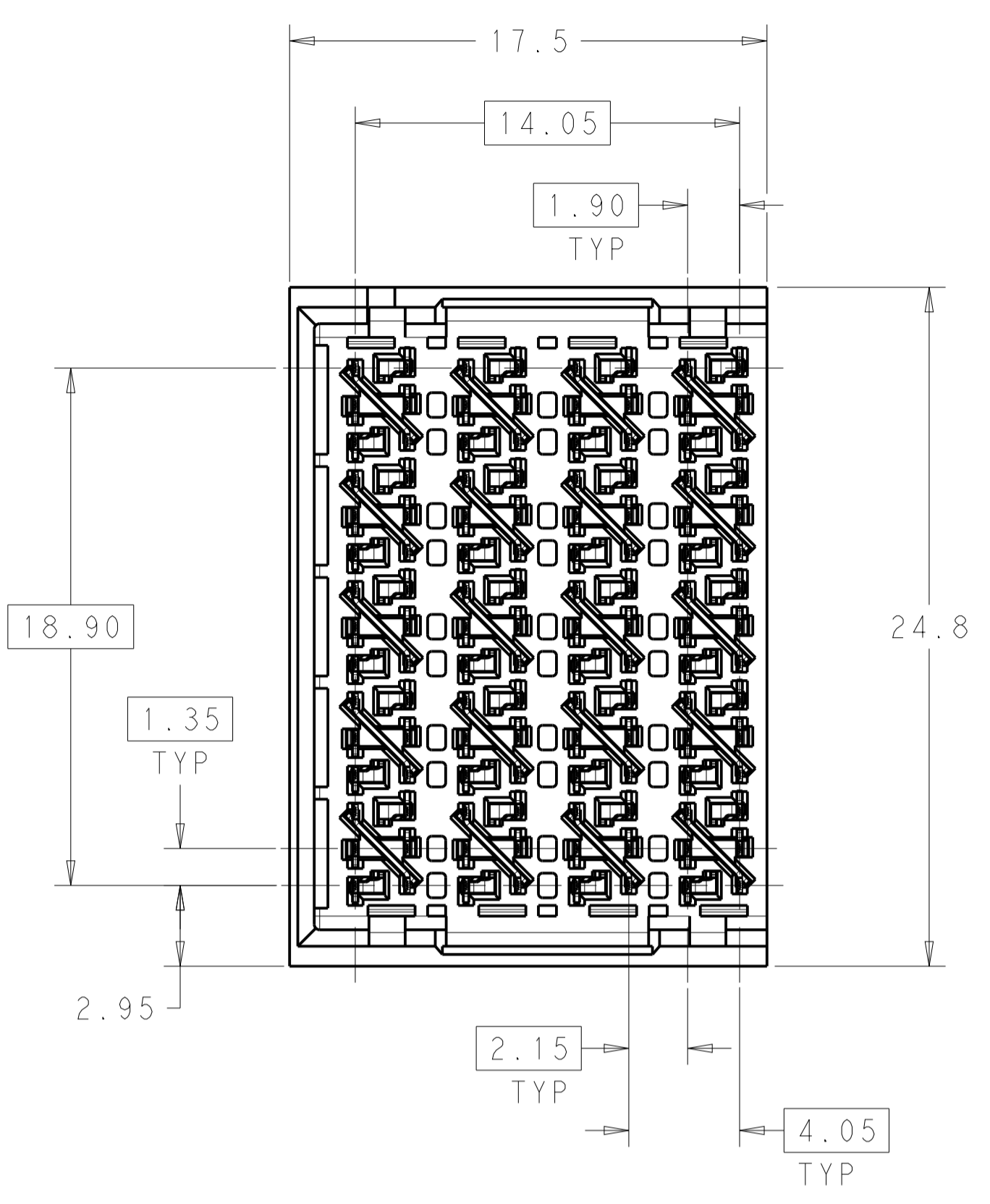
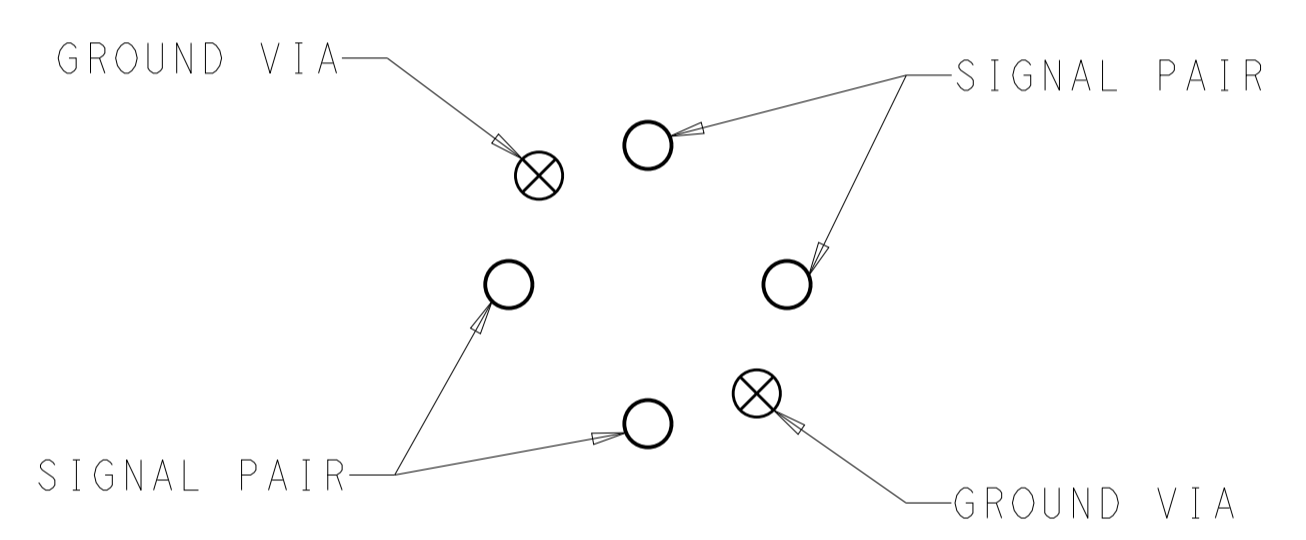
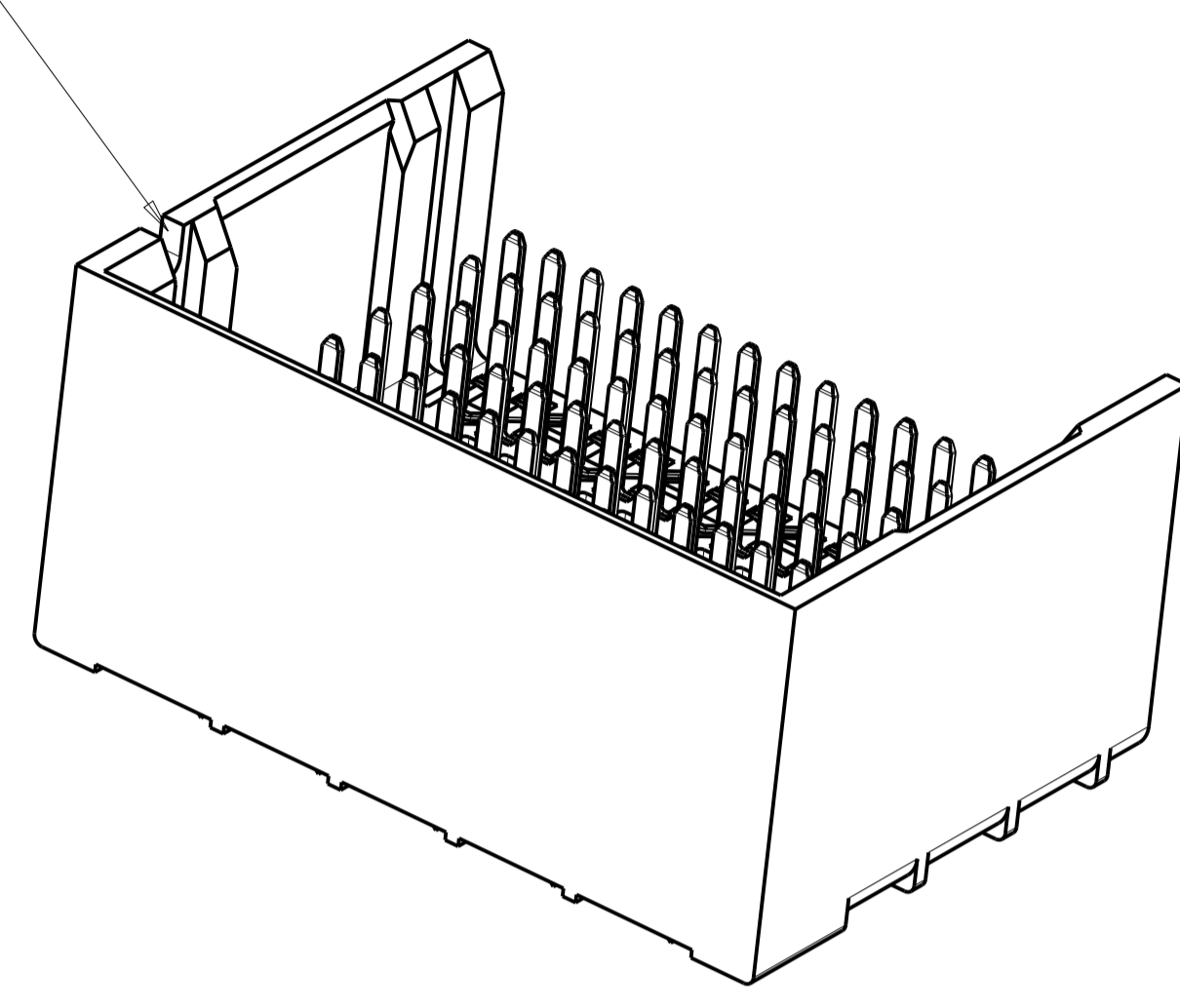


REVISIONS				
P.	LTN	DESCRIPTION	DATE	OWN APVD
B		REVISED PER ECO-14-013272	09SEP2014	AP DD

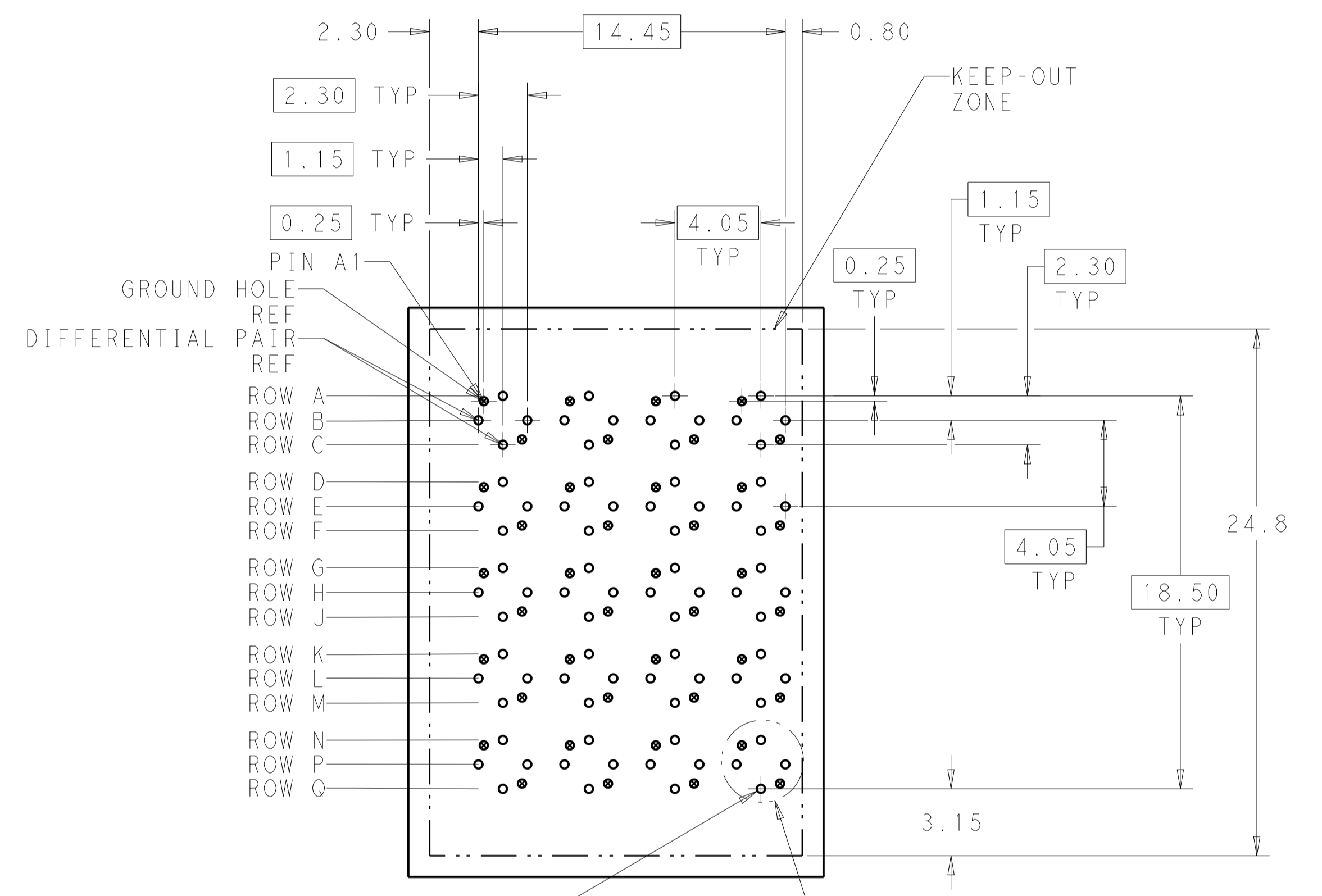


NOTCH DESIGNATES ROW A



DETAIL X
SCALE 16:1

- 1 MATERIAL:
HOUSING: LCP, GLASS FILLED, UL94V-0.
TERMINALS: HIGH PERFORMANCE COPPER ALLOY.
- 2 FINISH:
30μ" MIN GOLD IN CONTACT AREA. SELECTIVE TIN ON PCB TAILS, NICKEL OVERALL.

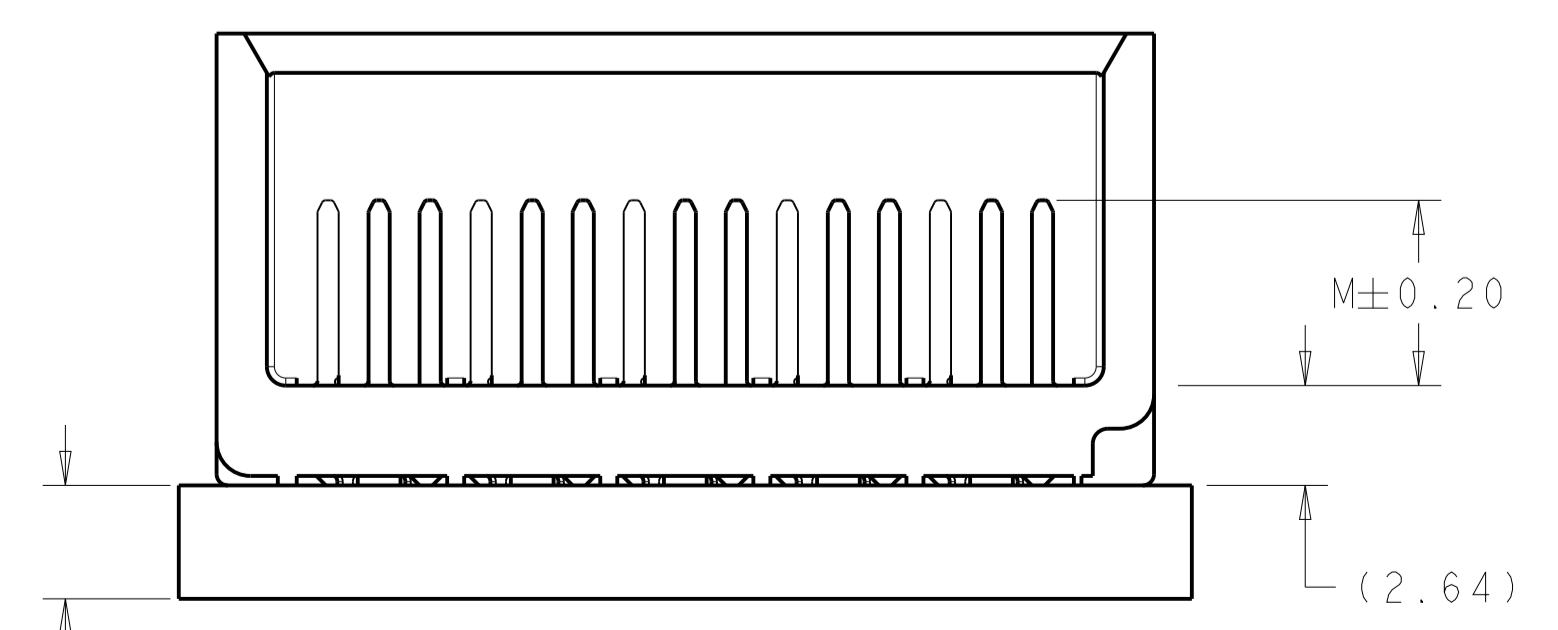
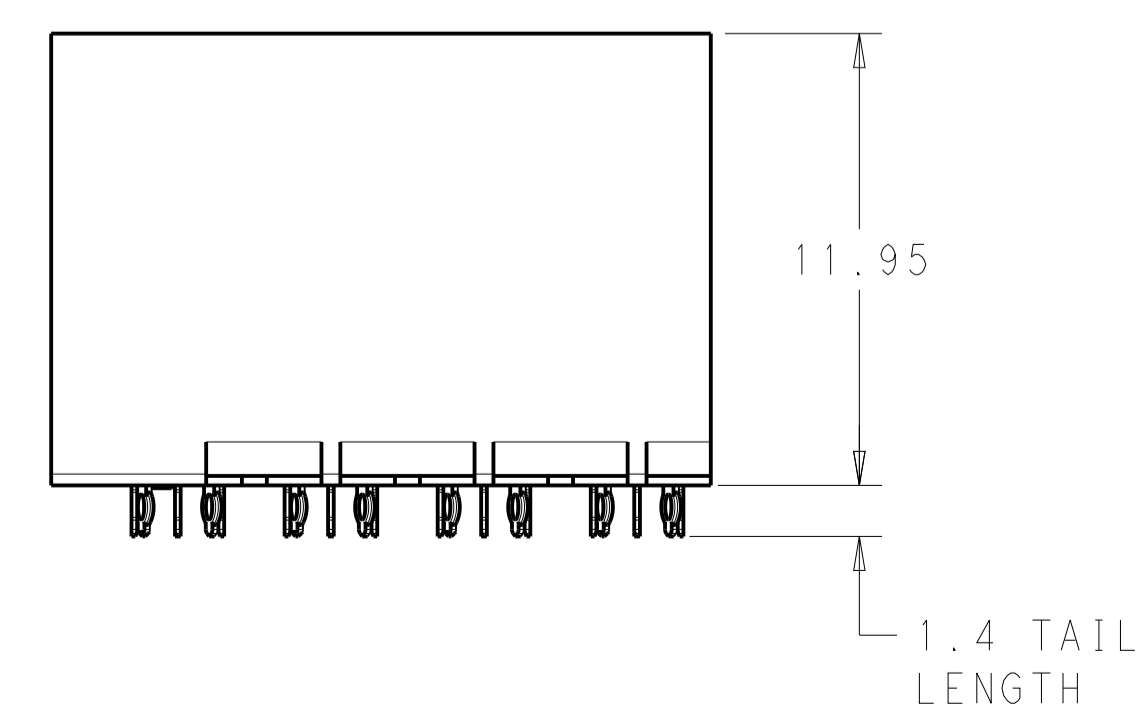


120X $\varnothing 0.39 \pm 0.08$
PLATED THRU HOLE

120X $\varnothing 0.48 \pm 0.013$
DRILL HOLE
 $\varnothing 0.10$

UNGUIDED
BACKPLANE HOLE PATTERN
(CONNECTOR SIDE)

REFER TO WWW.TE.COM
FOR PRODUCT AVAILABILITY



3.00
MINIMUM BOARD
THICKNESS

2	5.5	2143621-2
2	4.9	2143621-1
FINISH	DIM M	PART NUMBER

THIS DRAWING IS A CONTROLLED DOCUMENT.		OWN: ALAN HOLAL 11DEC2012	NAME: IMPACT, ORTHOGONAL, 5 PAIR, 8 COLUMN HEADER, UNGUIDED, LEFT END WALL SIGNAL MODULE, 0.39 PTH
DIMENSIONS: mm		CHK: D. DIXON 11DEC2012	PRODUCT SPEC: -
TOLERANCES UNLESS OTHERWISE SPECIFIED:		APVD: D. DIXON 11DEC2012	APPLICATION SPEC: -
0 PLC	±	SIZE: -	RESTRICTED TO: -
1 PLC	±0.25	WEIGHT: -	SCALE: 5:1
2 PLC	±0.13	FINISH: -	SHEET: 1 OF 1
3 PLC	±	SEE TABLE	REV: B
4 PLC	±	SEE TABLE	
ANGLES	±		
MATERIAL:		CUSTOMER DRAWING	