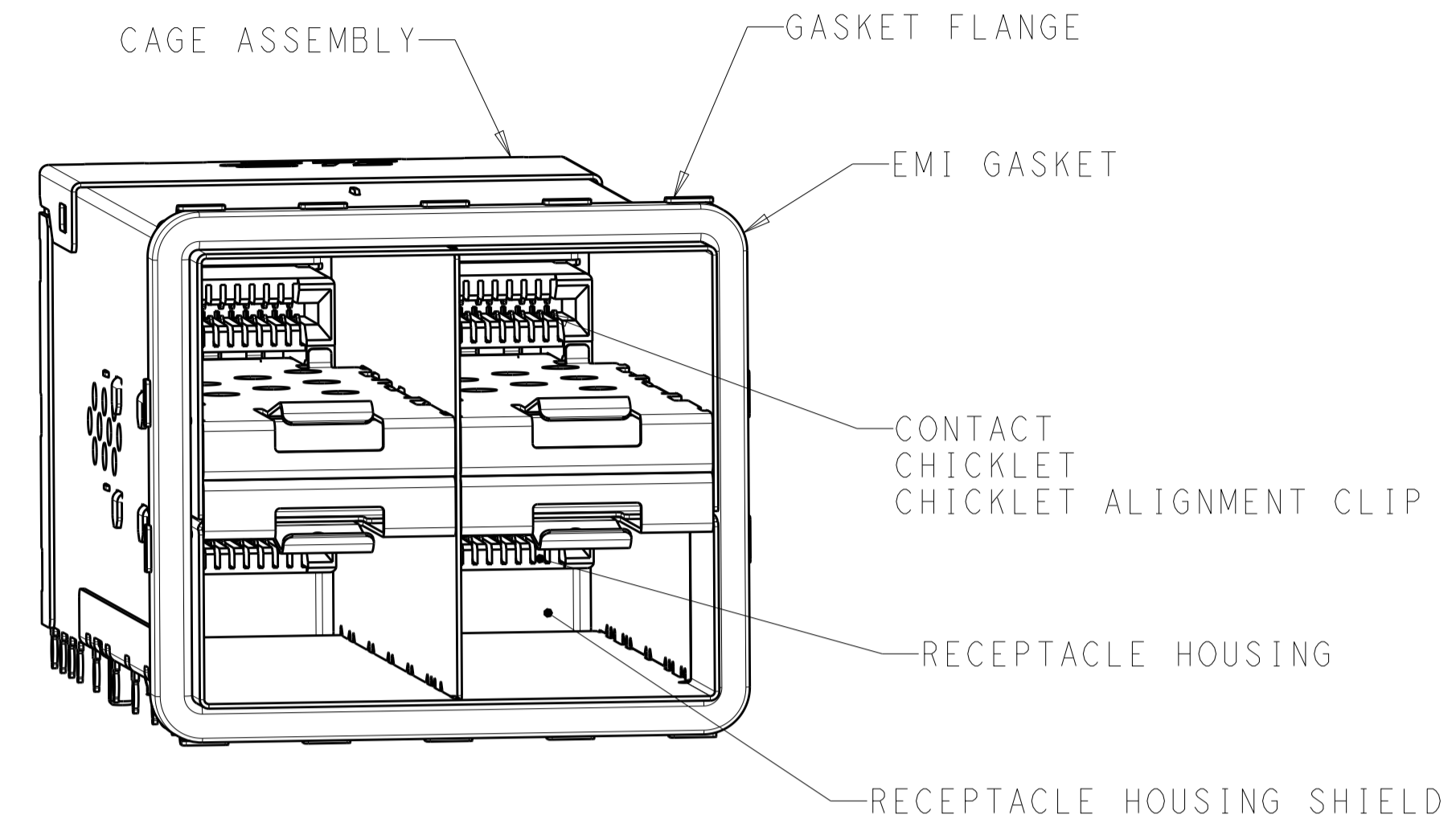
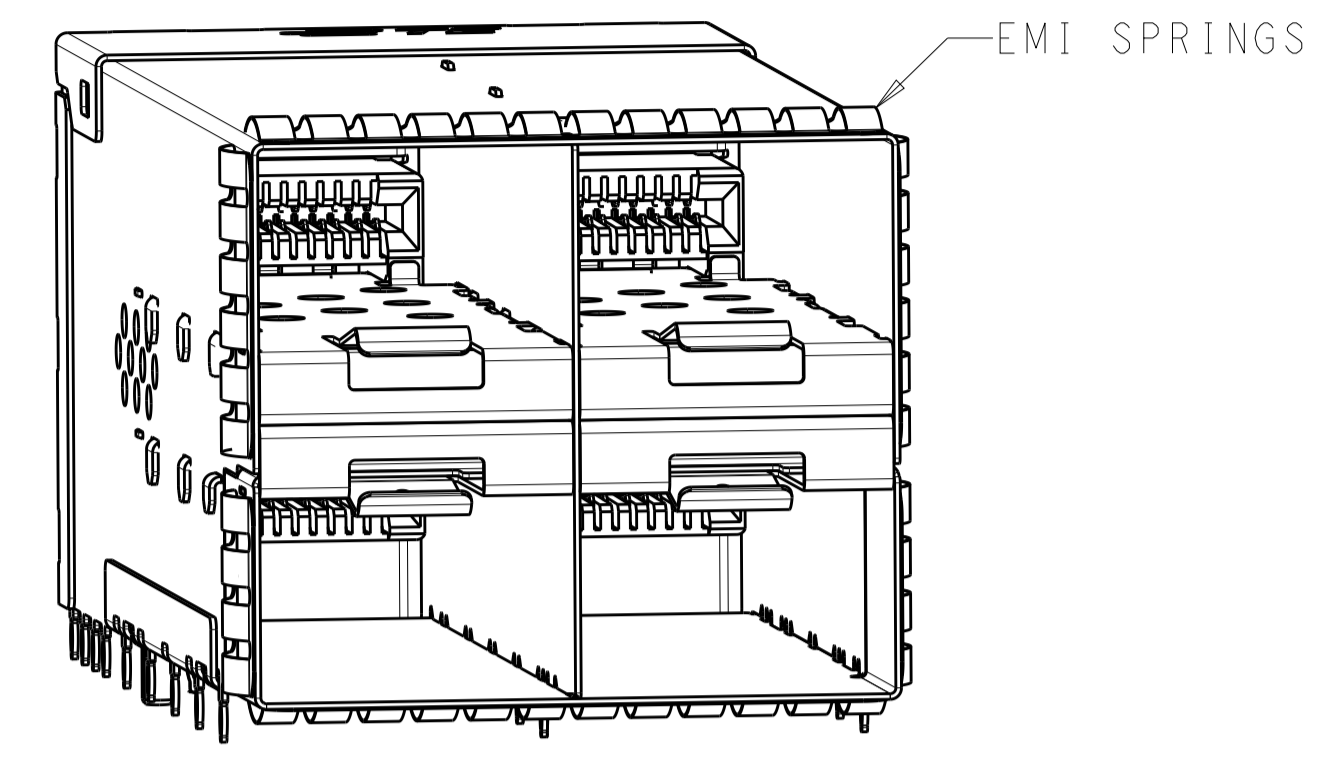


LOC	DIST	REVISIONS					
GP	00	P	LTN	DESCRIPTION	DATE	DWN	APVD
		A		RELEASED PER ECO-14-008758	13JUN2014	CJV	PAR
		B		REVISED PER ECO-15-010819	10AUG2015	PP	SH



2198325-1
 SCALE 3:1



2198325-5
 SCALE 3:1

- MATERIALS:
 CAGE ASSEMBLY - NICKEL-SILVER ALLOY PER ASTM B 122
 CONNECTOR HOUSING - LCP, BLACK, UL 94V-0 RATED
 CONNECTOR HOUSING SHIELD - COPPER ALLOY
 CHICKLET - LCP, BLACK, UL 94V-0 RATED
 CHICKLET ALIGNMENT CLIP - PBT
 CONTACT - COPPER ALLOY
 EMI GASKET - ELASTOMERIC
 GASKET FLANGE - STAINLESS STEEL
 EMI SPRINGS - PHOSPHOR BRONZE PER ASTM B 103,
 0.8µm MIN TIN PER ASTM B 545
 LIGHT PIPE - POLYCARBONATE
 LIGHT PIPE HOUSING - ZINC ALLOY

- CONTACT FINISH:
 CONFORMS TO THE REQUIREMENTS OF PRODUCT SPECIFICATION 108-2481, BASED ON EIA/ECA-364-1000.01A, CONTROLLED ENVIRONMENT APPLICATIONS) ON MATING INTERFACE, TIN ON NEEDLE EYE

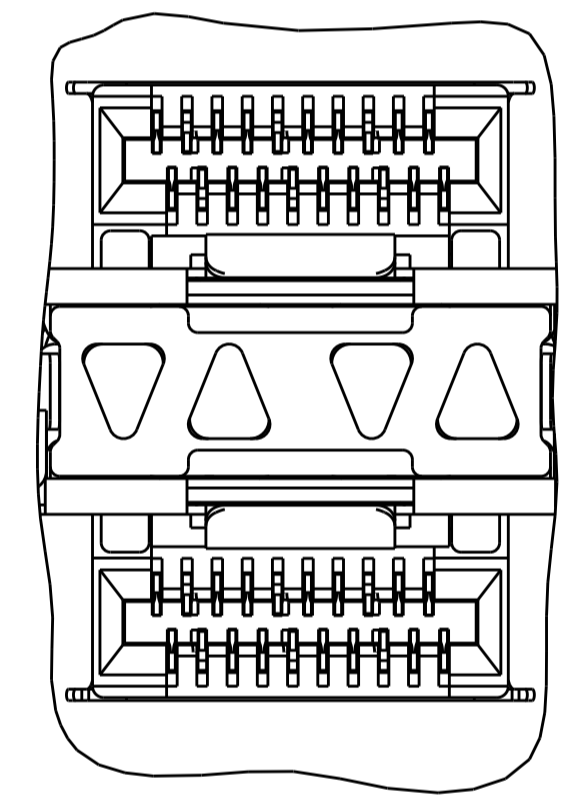
- PCB MINIMUM THICKNESS = 1.5mm

⚠ FOR HOLE SIZE AND PLATINGS,
 SEE APPLICATION SPECIFICATION 114-13319

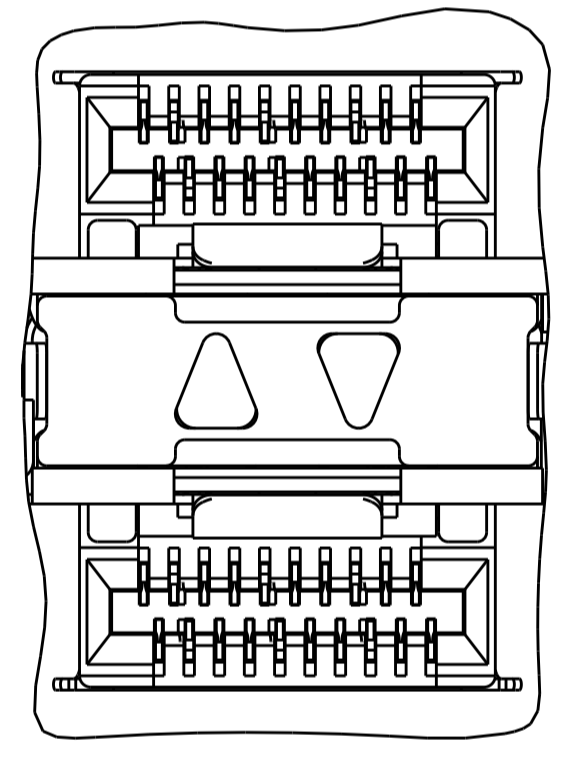
⚠ LIGHT PIPE PAD LAYOUT IS FOR 0805 LOW PROFILE LED PACKAGE WITH A HEIGHT OF 0.8mm

⚠ DIMENSIONS APPLY FOR EMI SPRINGS ONLY

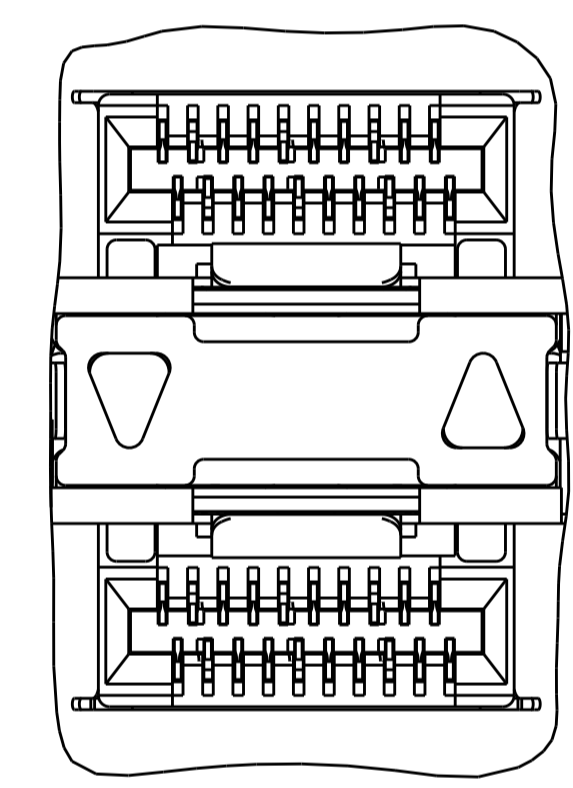
⚠ THE ENTIRE AREA OF THE CONNECTOR FOOTPRINT, INDICATED BY THE DASHED LINE, TO BE CONSIDERED THE KEEPOUT AREA FOR COMPONENTS AND SIGNAL TRACES, TOP SIDE ONLY, TOP SIDE TRACES ALLOWED WITHIN CONNECTOR HOLE PATTERN



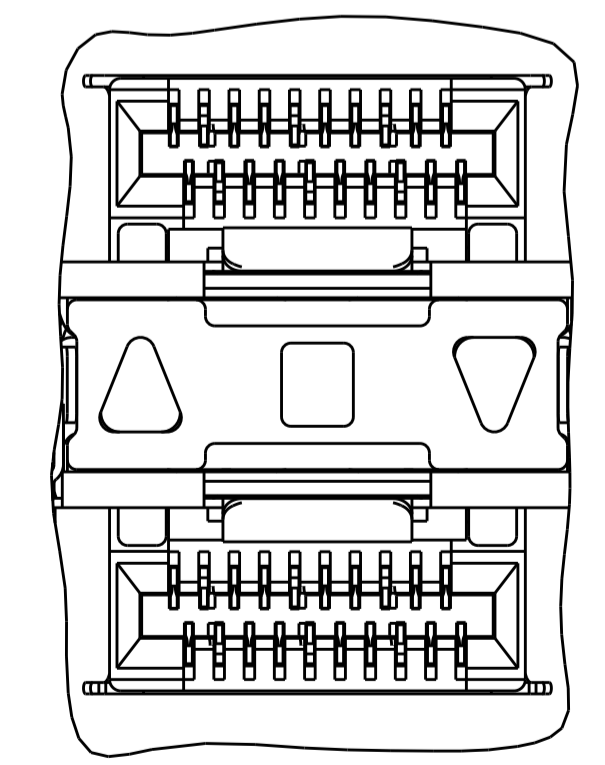
INNER/OUTER LIGHT PIPES
 2198325-2, 2198325-6
 SCALE 5:1



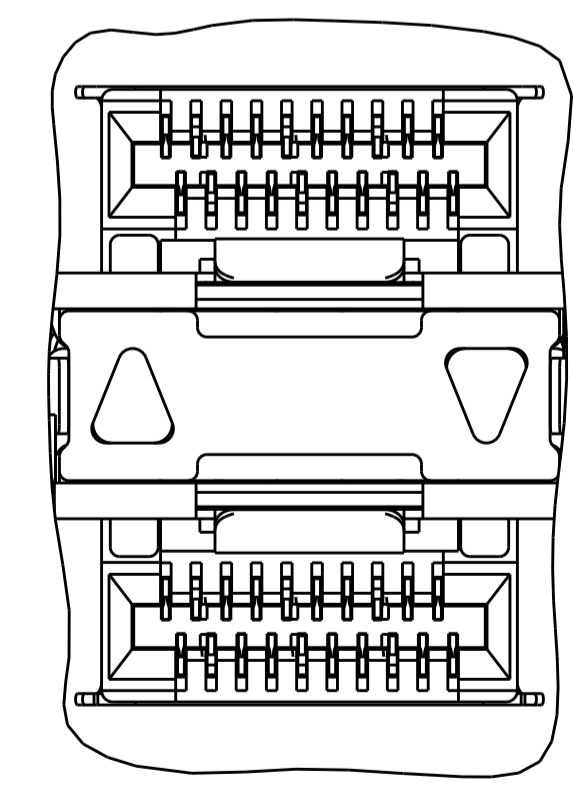
INNER LIGHT PIPES
 2198325-3, 2198325-7
 SCALE 5:1



OUTER LIGHT PIPES
 2198325-4, 2198325-8
 SCALE 5:1



CENTER/REVERSED OUTER LIGHT PIPES
 1-2198325-7, 1-2198325-9
 SCALE 5:1



REVERSED OUTER LIGHT PIPES
 1-2198325-8, 2-2198325-0
 SCALE 5:1

31	EMI SPRINGS	REVERSED OUTER	2-2198325-0
		CENTER/REVERSED OUTER	1-2198325-9
33.75	EMI GASKET	REVERSED OUTER	1-2198325-8
		CENTER/REVERSED OUTER	1-2198325-7
31	EMI SPRINGS	OUTER	2198325-8
		INNER	2198325-7
		INNER/OUTER	2198325-6
		NONE	2198325-5
33.75	EMI GASKET	OUTER	2198325-4
		INNER	2198325-3
		INNER/OUTER	2198325-2
		NONE	2198325-1
(E)	CAGE TYPE	LIGHT PIPE CONFIGURATION	PART NUMBER

THIS DRAWING IS A CONTROLLED DOCUMENT.

DIMENSIONS: mm

TOLERANCES UNLESS OTHERWISE SPECIFIED:

0 PLC	±
1 PLC	±
2 PLC	±
3 PLC	±
4 PLC	±
ANGLES	±

MATERIAL: SEE NOTES

FINISH: SEE NOTES

Customer Drawing

DWN: M.E. CONNER 06OCT2011
 CHK: M.D. MORRISON 06OCT2011
 APVD: M.D. MORRISON 07OCT2011

PRODUCT SPEC: 108-2481
 APPLICATION SPEC: 114-13319

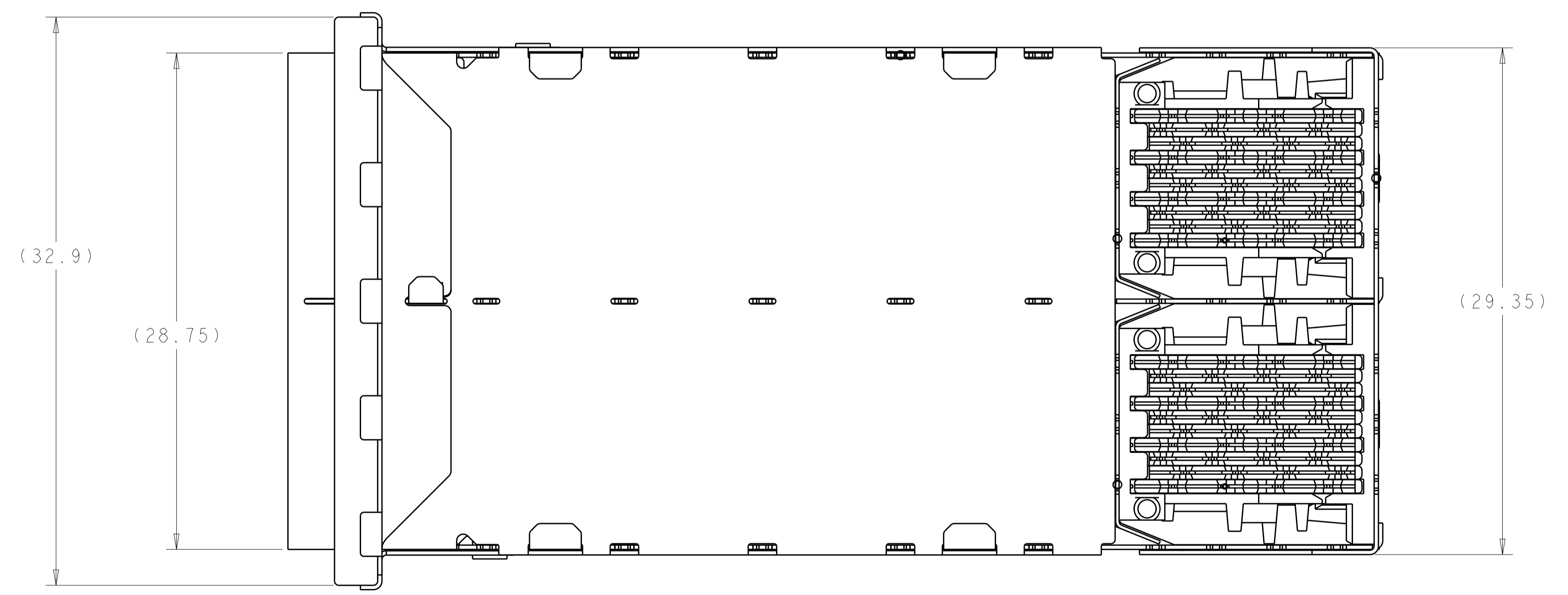
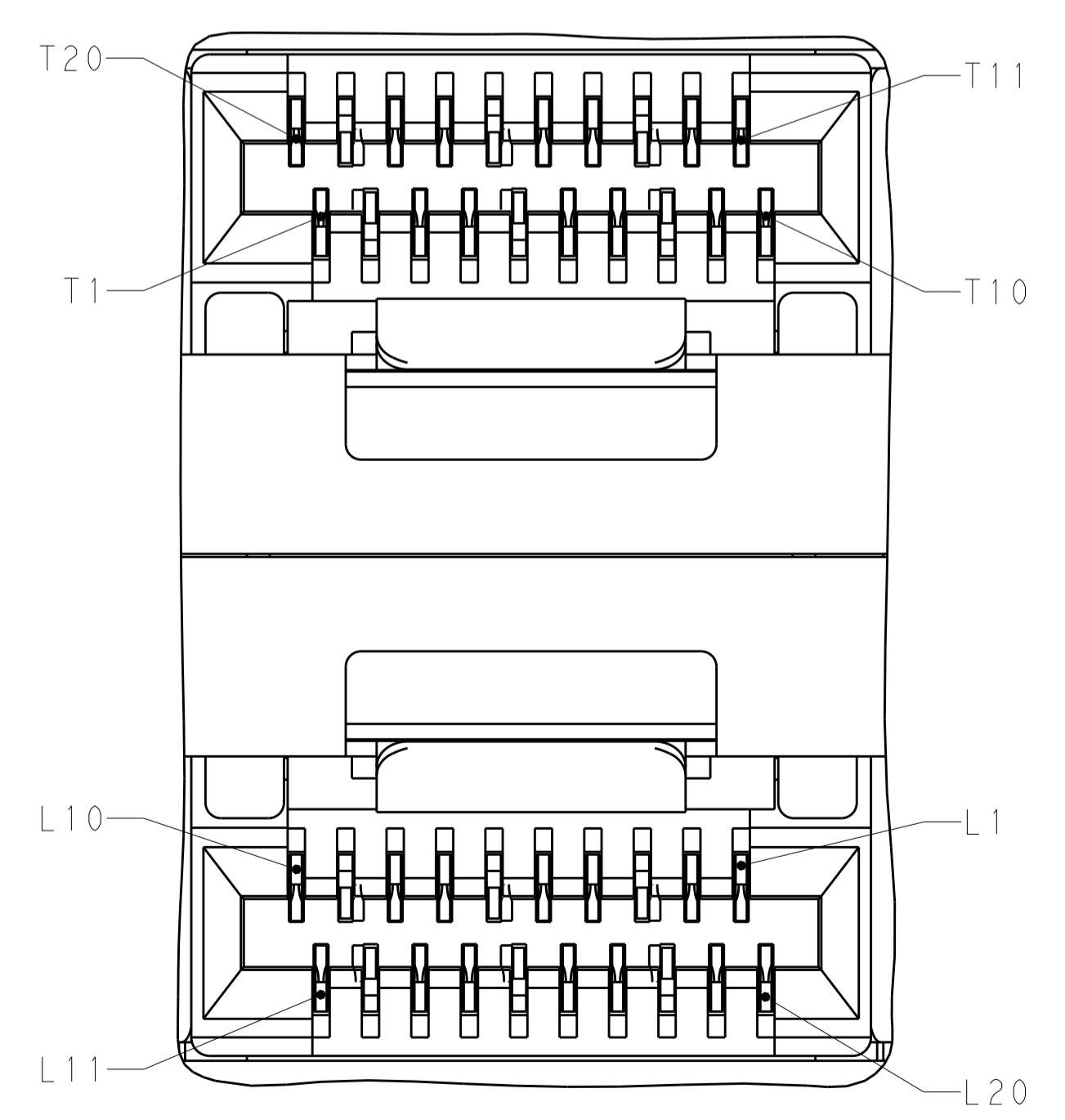
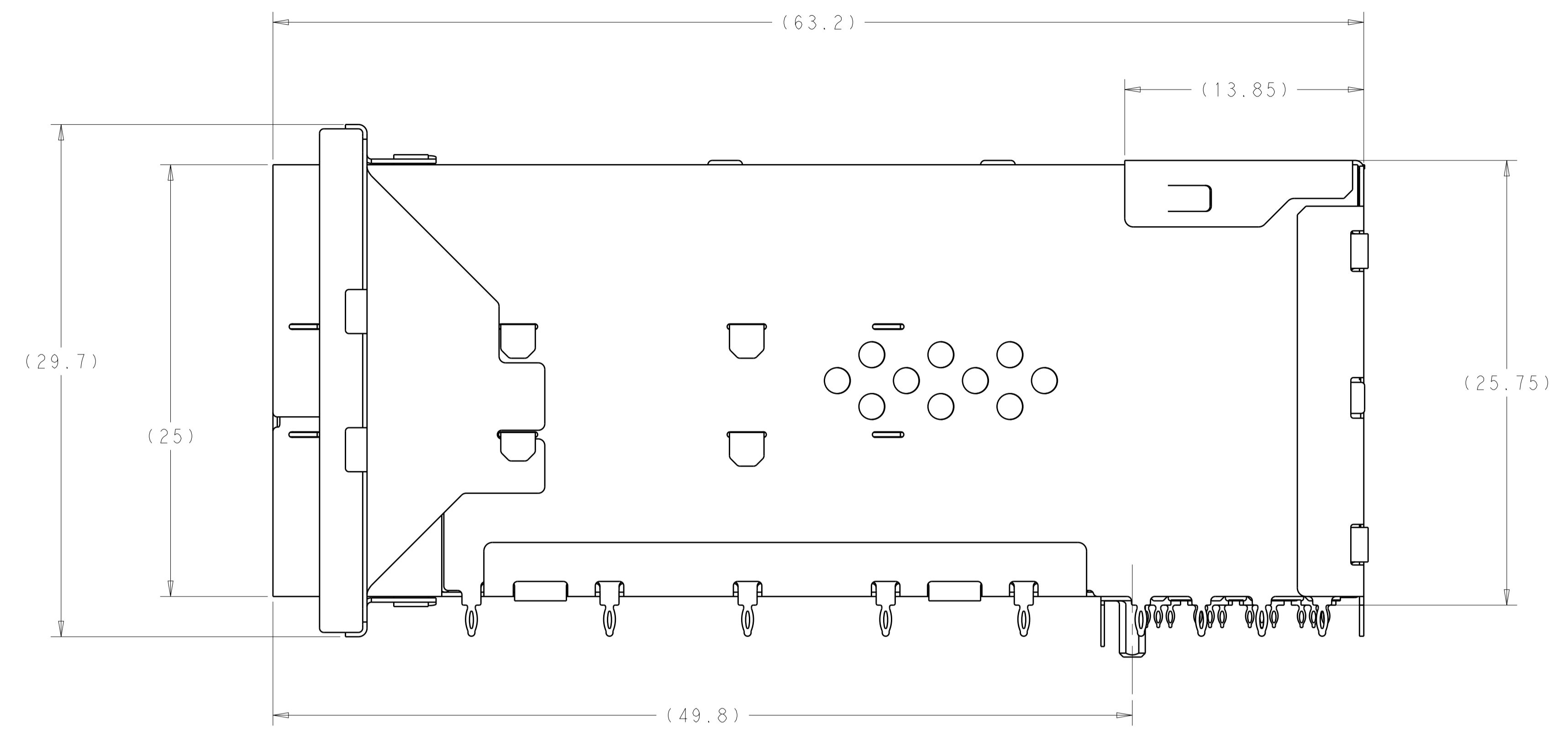
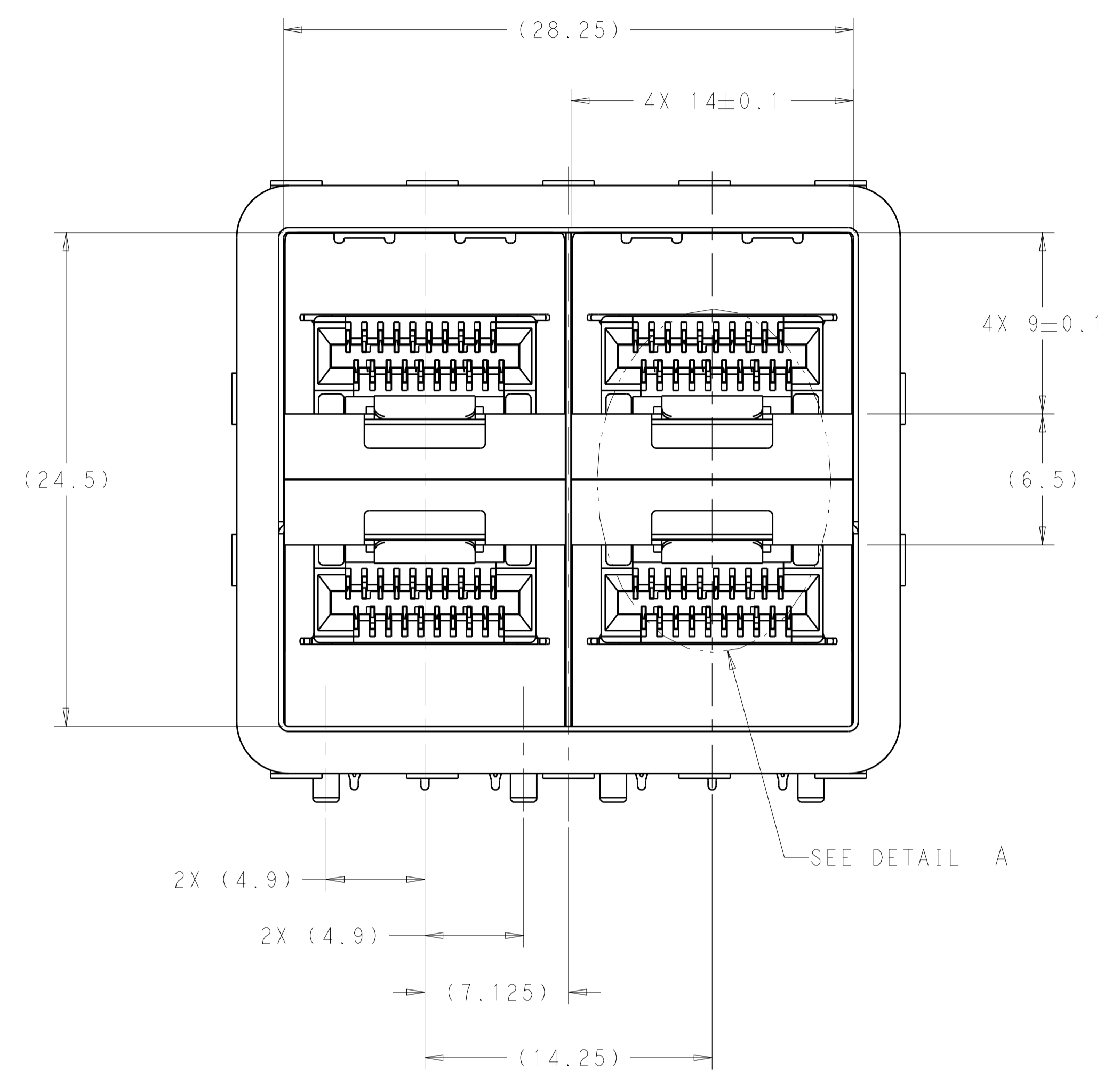
NAME: RECEPTACLE ASSEMBLY, 2X2, STACKED, zSFP+

SIZE: A1
 CAGE CODE: 00779
 DRAWING NO: 2198325

RESTRICTED TO: B

SCALE: 2:1 SHEET 1 OF 5 REV B

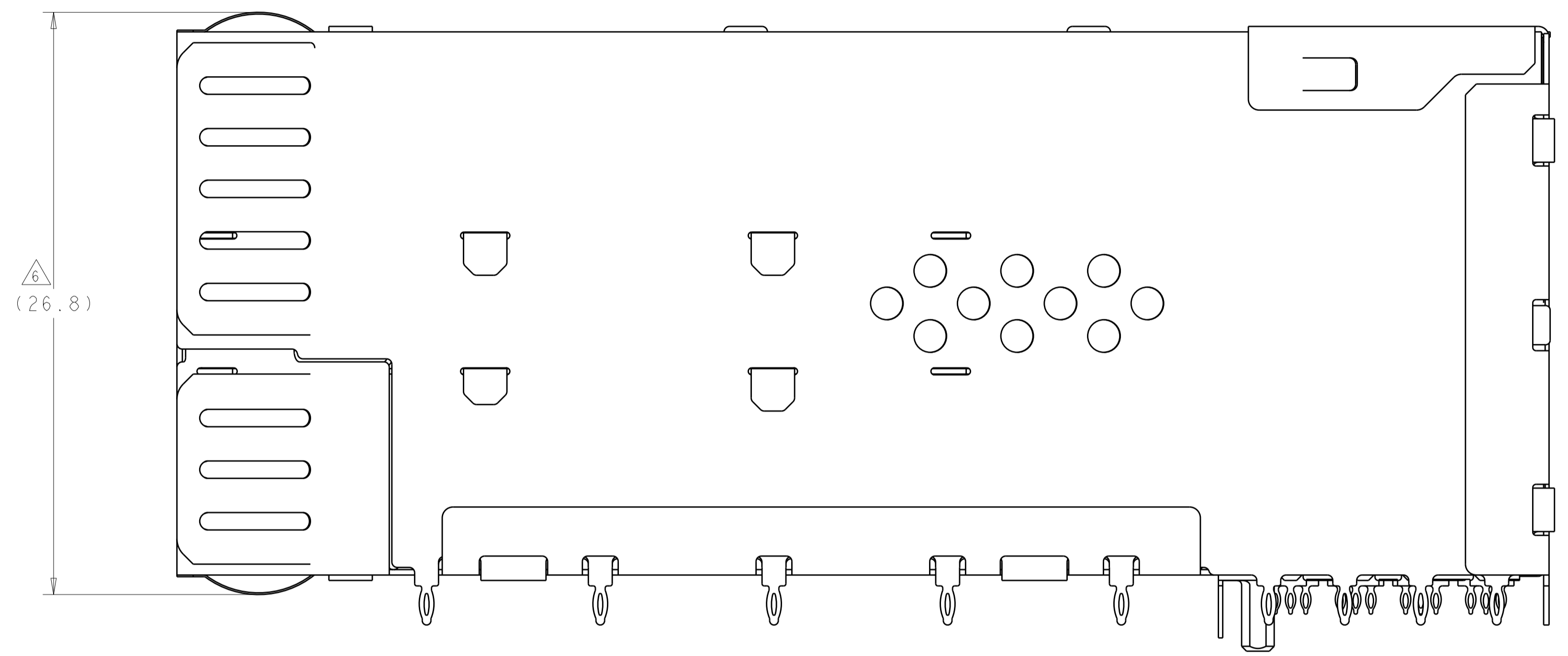
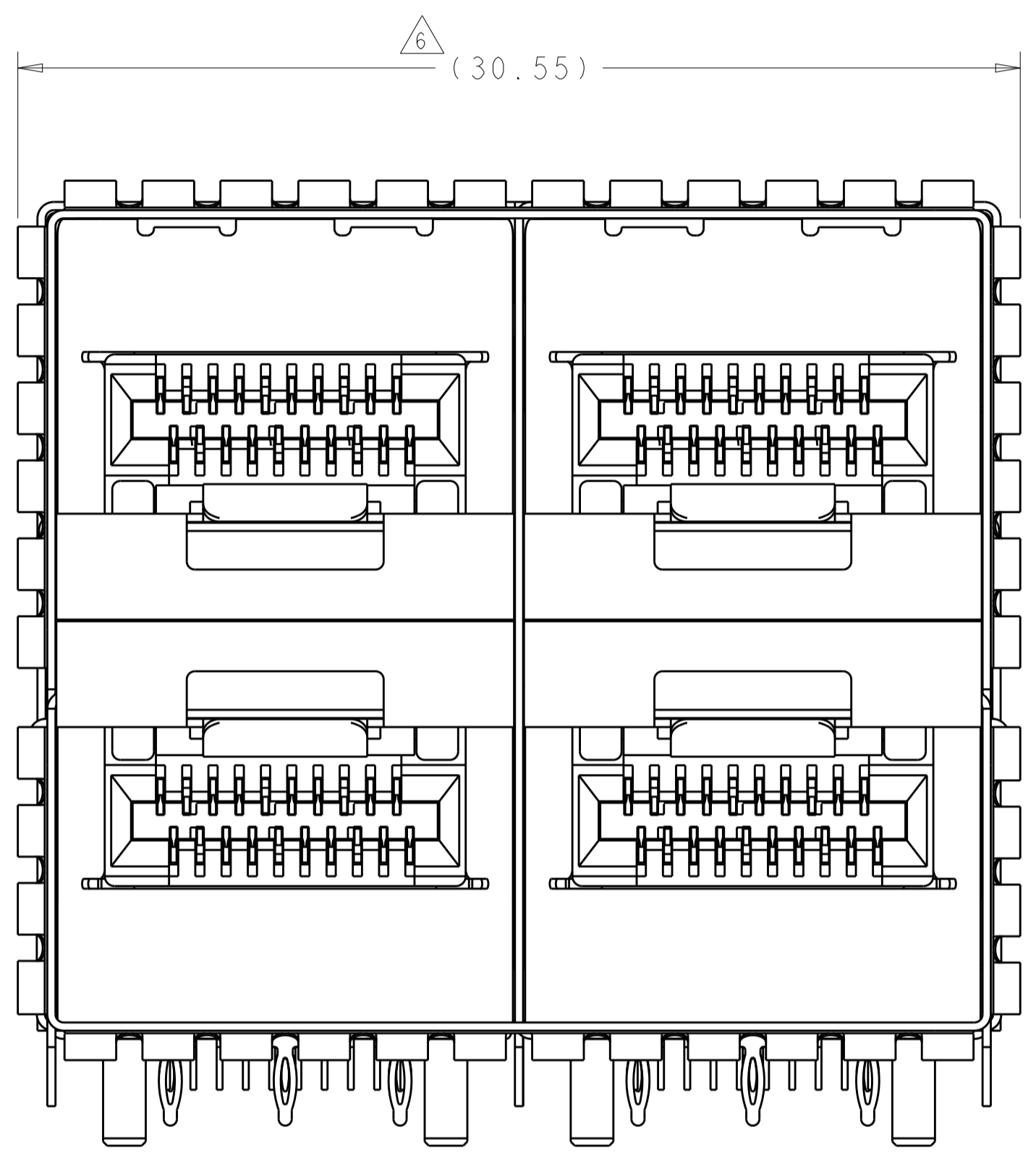
LOC	DIST	REVISIONS					
		P	LTN	DESCRIPTION	DATE	DMN	APVD
GP	00	-	-	SEE SHEET 1	-	-	-



DETAIL A
 2 PLACES
 SCALE 10:1

THIS DRAWING IS A CONTROLLED DOCUMENT.		DMN: M.E. CONNER 06OCT2011	TE Connectivity RECEPTACLE ASSEMBLY, 2X2, STACKED, zSFP+
DIMENSIONS: mm		CHK: M.D. MORRISON 06OCT2011	
TOLERANCES UNLESS OTHERWISE SPECIFIED:		APVD: M.D. MORRISON 07OCT2011	NAME: M.D. MORRISON
0 PLC ± 1 PLC ± 2 PLC ± 3 PLC ± 4 PLC ± ANGLES ±		PRODUCT SPEC: 108-2481	SIZE: CAGE CODE DRAWING NO
MATERIAL: SEE NOTES		FINISH: SEE NOTES	RESTRICTED TO: A100779C=2198325
		WEIGHT: Customer Drawing	SCALE: 2:1 SHEET 2 OF 5 REV B

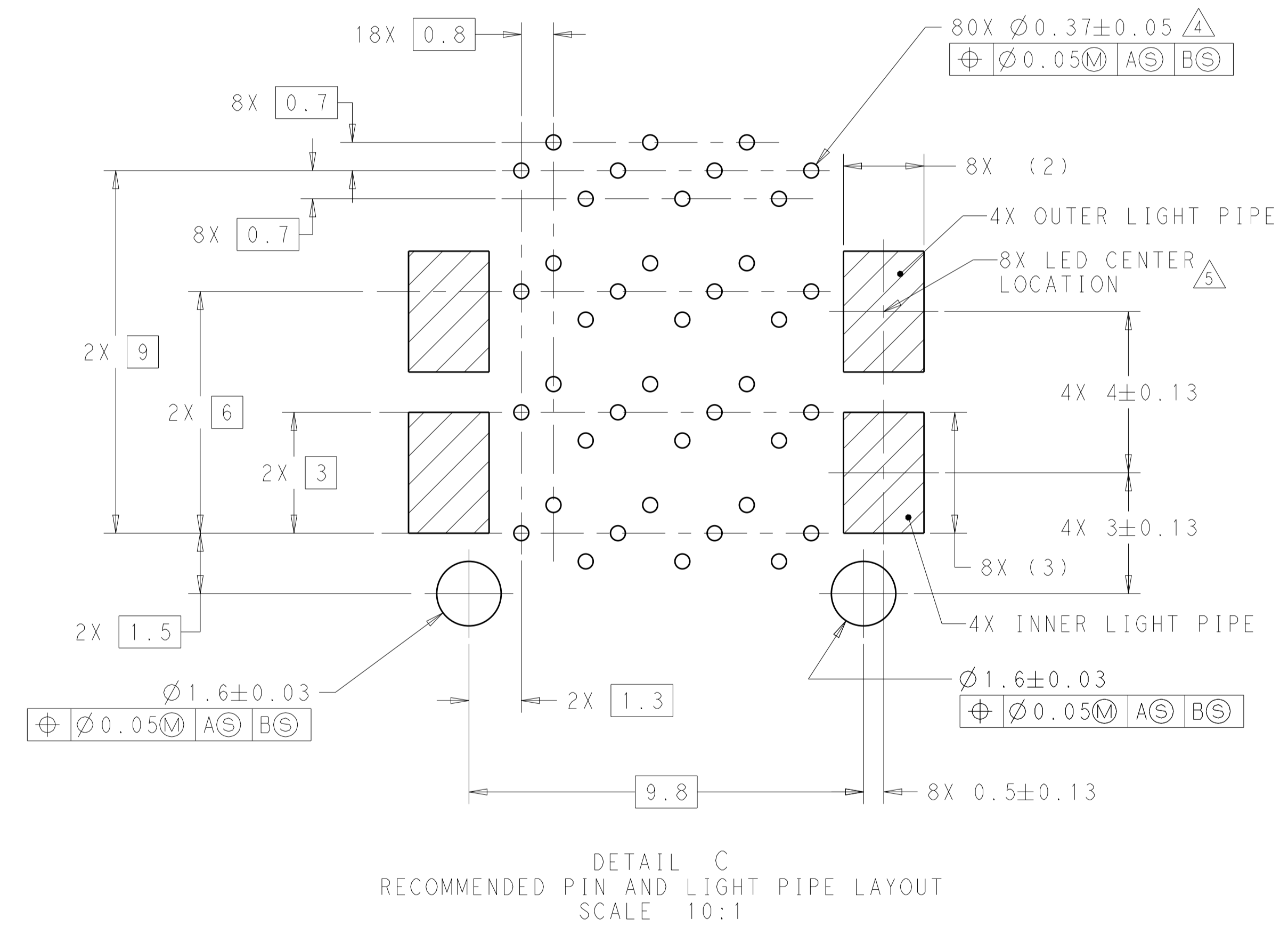
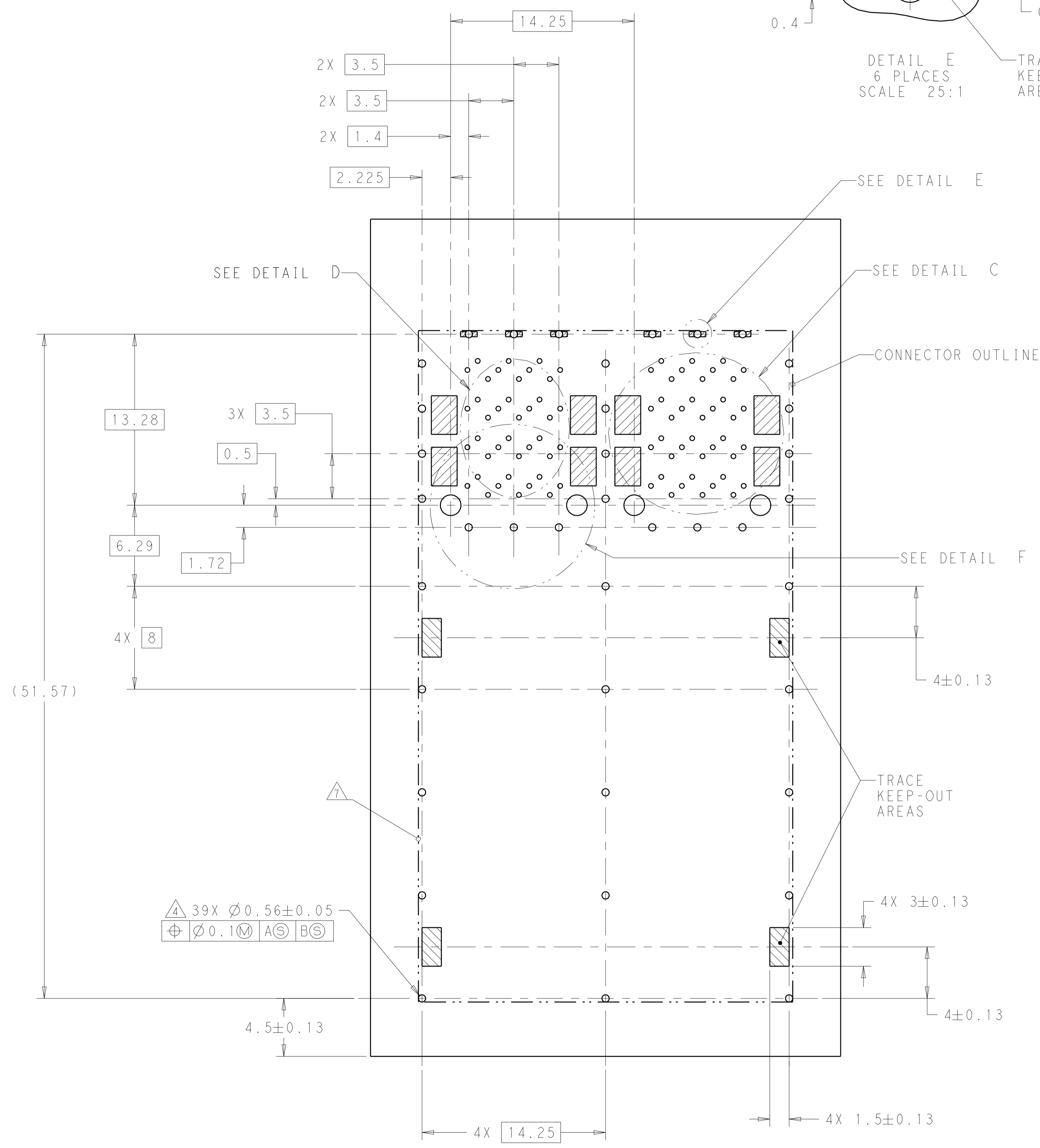
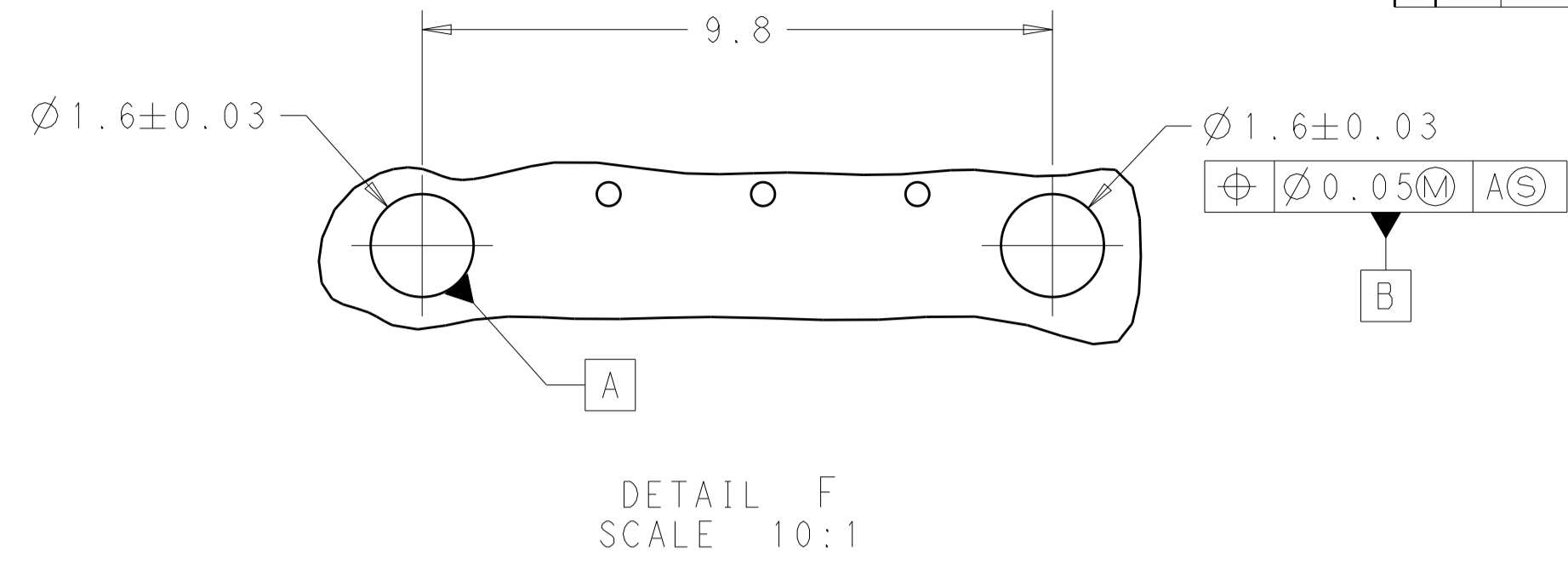
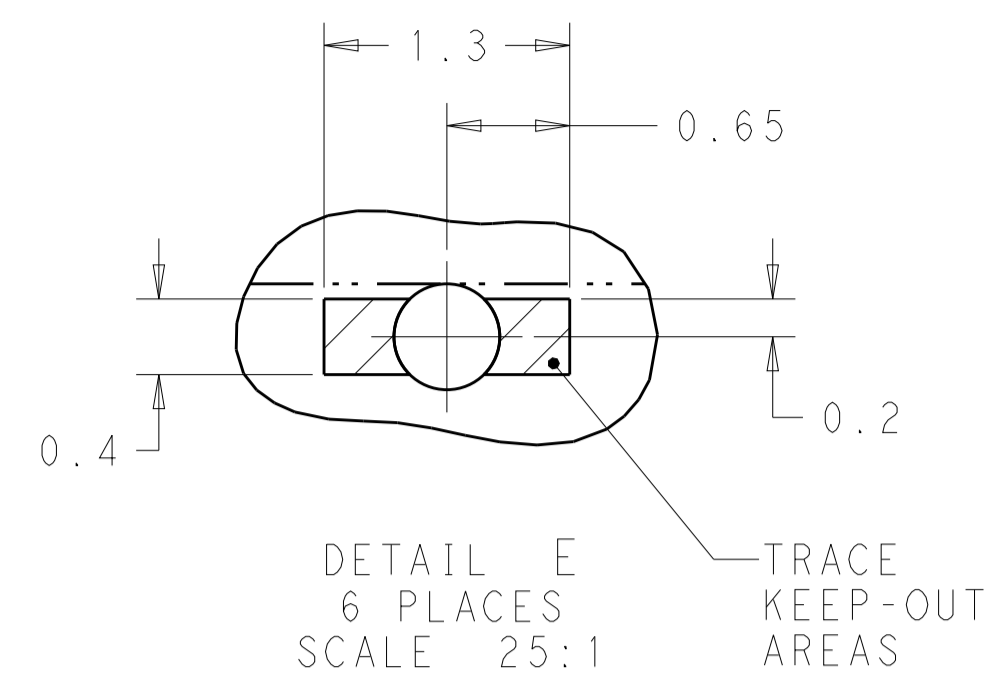
LOC	DIST	REVISIONS					
GP	00	P	LTN	DESCRIPTION	DATE	DWN	APVD
		-		SEE SHEET 1		-	-



2198325-5 THRU 2198325-8, 1-2198325-9, 2-2198325-0
 EMI SPRINGS ONLY
 SCALE 6:1

THIS DRAWING IS A CONTROLLED DOCUMENT.		DWN: M.E. CONNER 06OCT2011	STE TE Connectivity
DIMENSIONS: mm		CHK: M.D. MORRISON 06OCT2011	
TOLERANCES UNLESS OTHERWISE SPECIFIED:		APVD: M.D. MORRISON 07OCT2011	NAME: RECEPTACLE ASSEMBLY, 2X2, STACKED, zSFP+
0 PLC ±		PRODUCT SPEC: 108-2481	SIZE: CAGE CODE DRAWING NO. RESTRICTED TO
1 PLC ±		APPLICATION SPEC: 114-13319	A100779C=2198325
2 PLC ±		WEIGHT: -	SCALE 2:1 SHEET 3 OF 5 REV B
3 PLC ±		FINISH: -	Customer Drawing
4 PLC ±			
ANGLES ±			
MATERIAL: SEE NOTES			
FINISH: SEE NOTES			

LOC		DIST		REVISIONS			
GP	00	P	LTN	DESCRIPTION	DATE	OWN	APVD
		-	-	SEE SHEET 1	-	-	-



THIS DRAWING IS A CONTROLLED DOCUMENT.		OWN: M.E. CONNER 06OCT2011	TE Connectivity
DIMENSIONS: mm		CHK: M.D. MORRISON 06OCT2011	
TOLERANCES UNLESS OTHERWISE SPECIFIED:		APVD: M.D. MORRISON 07OCT2011	NAME: RECEPTACLE ASSEMBLY, 2X2, STACKED, zSFP+
0 PLC ±	1 PLC ±	PRODUCT SPEC: 108-2481	SIZE: CAGE CODE DRAWING NO: A100779C=2198325
2 PLC ±	3 PLC ±	APPLICATION SPEC: 114-13319	RESTRICTED TO: -
4 PLC ±	ANGLES ±	WEIGHT: -	SCALE: 2:1 SHEET 4 OF 5 REV B
MATERIAL: SEE NOTES	FINISH: SEE NOTES	Customer Drawing	

LOC	DIST	REVISIONS			
P	LTN	DESCRIPTION	DATE	OWN	APVD
GP	00	SEE SHEET 1	-	-	-

T19 ○ T16 ○ T13 ○
 T20 ○ T17 ○ T14 ○ T11 ○
 T18 ○ T15 ○ T12 ○

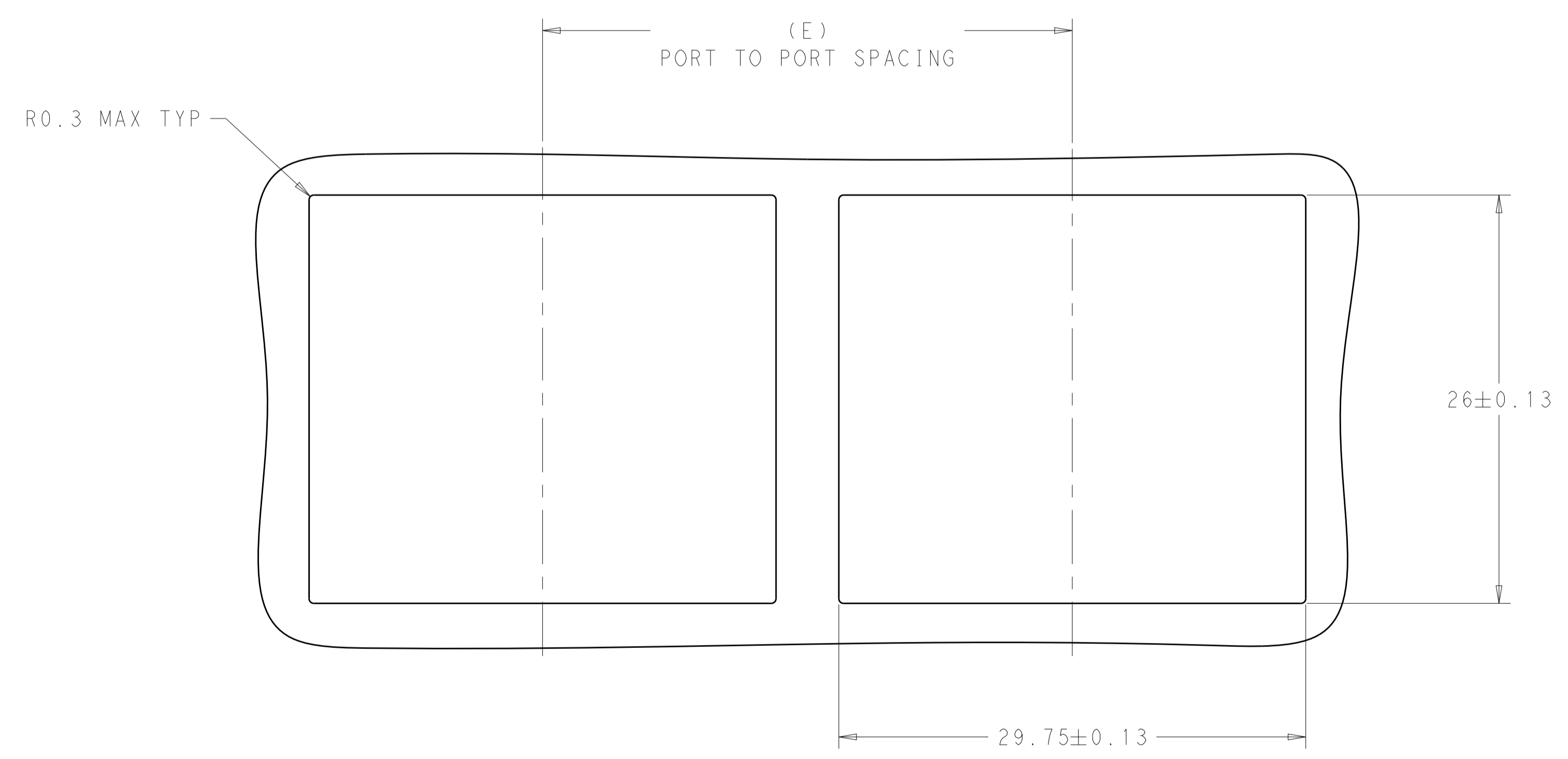
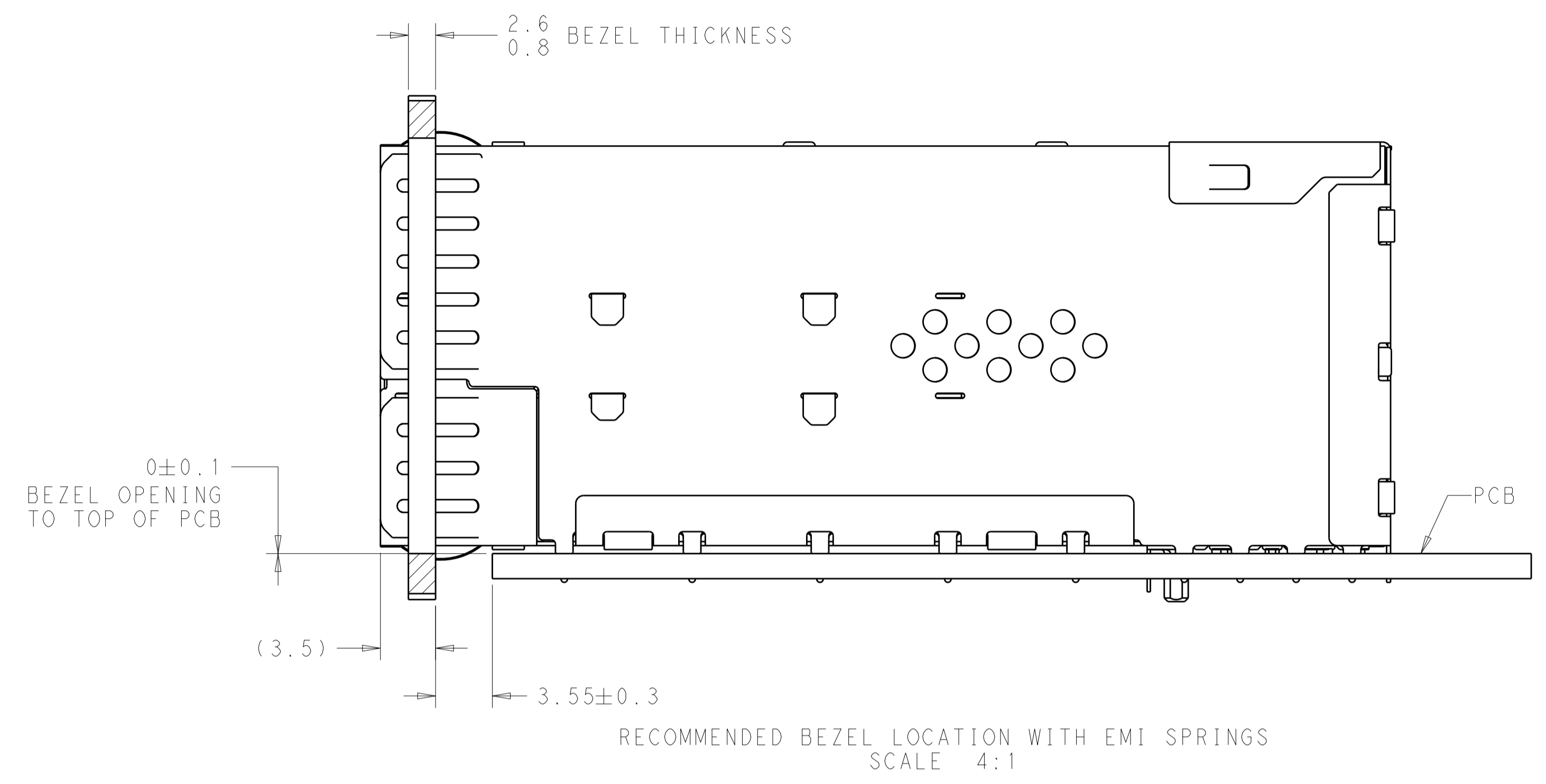
T2 ○ T5 ○ T8 ○
 T1 ○ T4 ○ T7 ○ T10 ○
 T3 ○ T6 ○ T9 ○

L9 ○ L6 ○ L3 ○
 L10 ○ L7 ○ L4 ○ L1 ○
 L8 ○ L5 ○ L2 ○

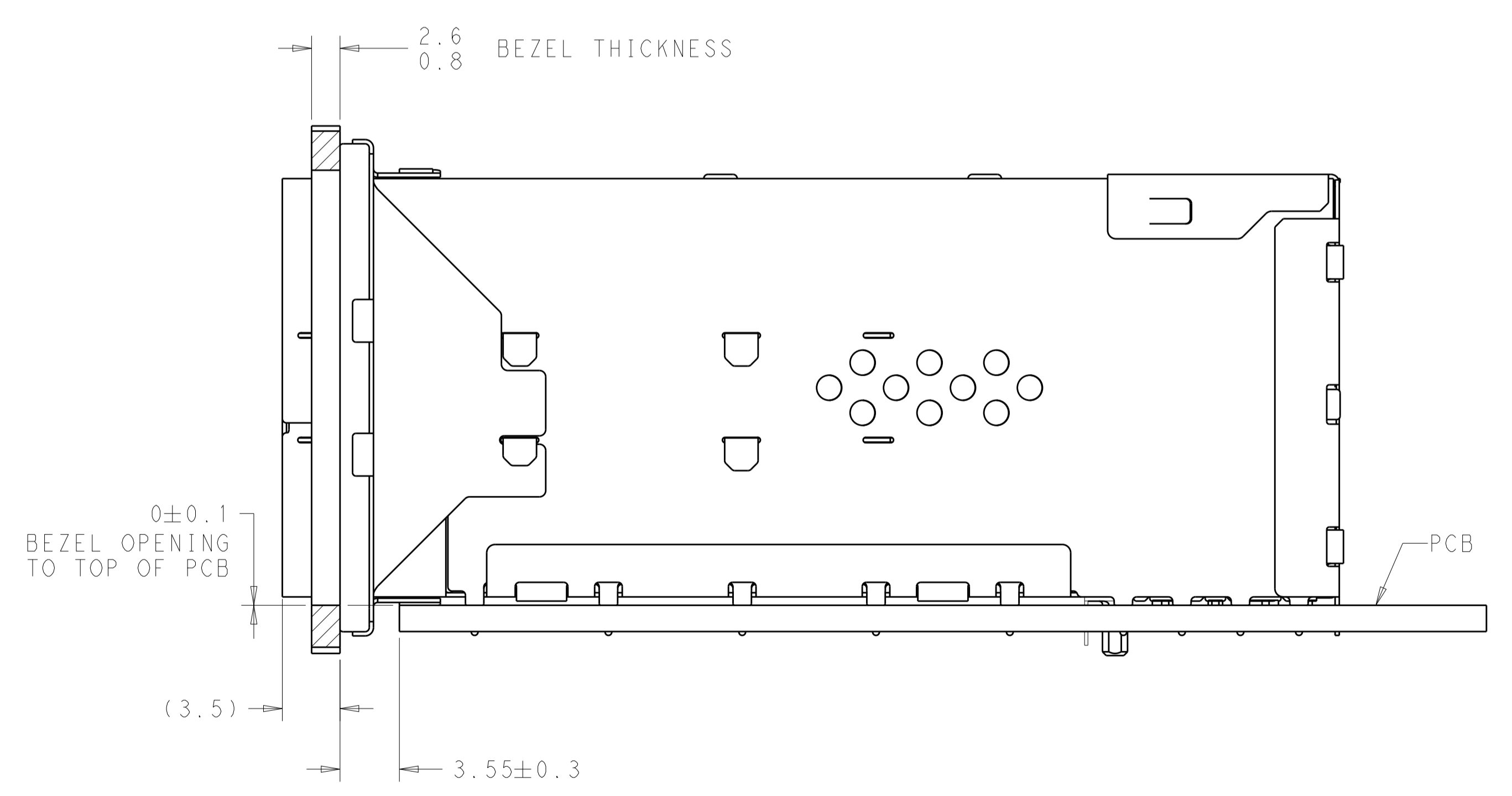
L12 ○ L15 ○ L18 ○
 L11 ○ L14 ○ L17 ○ L20 ○
 L13 ○ L16 ○ L19 ○

PIN MAP LEGEND	
PIN NUMBER	FUNCTION
L1/T1	VEET
L2/T2	TX-FAULT
L3/T3	TX-DISABLE
L4/T4	SDA
L5/T5	SCL
L6/T6	MOD_ABS
L7/T7	RSO
L8/T8	RX_LOS
L9/T9	RS1
L10/T10	VEER
L11/T11	VEER
L12/T12	RD-
L13/T13	RD+
L14/T14	VEER
L15/T15	VCCR
L16/T16	VCCT
L17/T17	VEET
L18/T18	TD+
L19/T19	TD-
L20/T20	VEET

DETAIL D
 PIN MAP
 2 PLACES
 SCALE 15:1



RECOMMENDED BEZEL CUT-OUT DETAIL
 SCALE 4:1



THIS DRAWING IS A CONTROLLED DOCUMENT.		OWN: M.E. CONNER 06OCT2011	TE Connectivity
DIMENSIONS: mm		CHK: M.D. MORRISON 06OCT2011	
TOLERANCES UNLESS OTHERWISE SPECIFIED:		APVD: M.D. MORRISON 07OCT2011	NAME: RECEPTACLE ASSEMBLY, 2X2, STACKED, zSFP+
0 PLC ±	1 PLC ±	PRODUCT SPEC: 108-2481	SIZE: A100779
2 PLC ±	3 PLC ±	APPLICATION SPEC: 114-13319	CAGE CODE: 2198325
4 PLC ±	ANGLES ±	WEIGHT: -	RESTRICTED TO: -
MATERIAL: SEE NOTES	FINISH: SEE NOTES	Customer Drawing	SCALE: 2:1 SHEET 5 OF 5 REV B