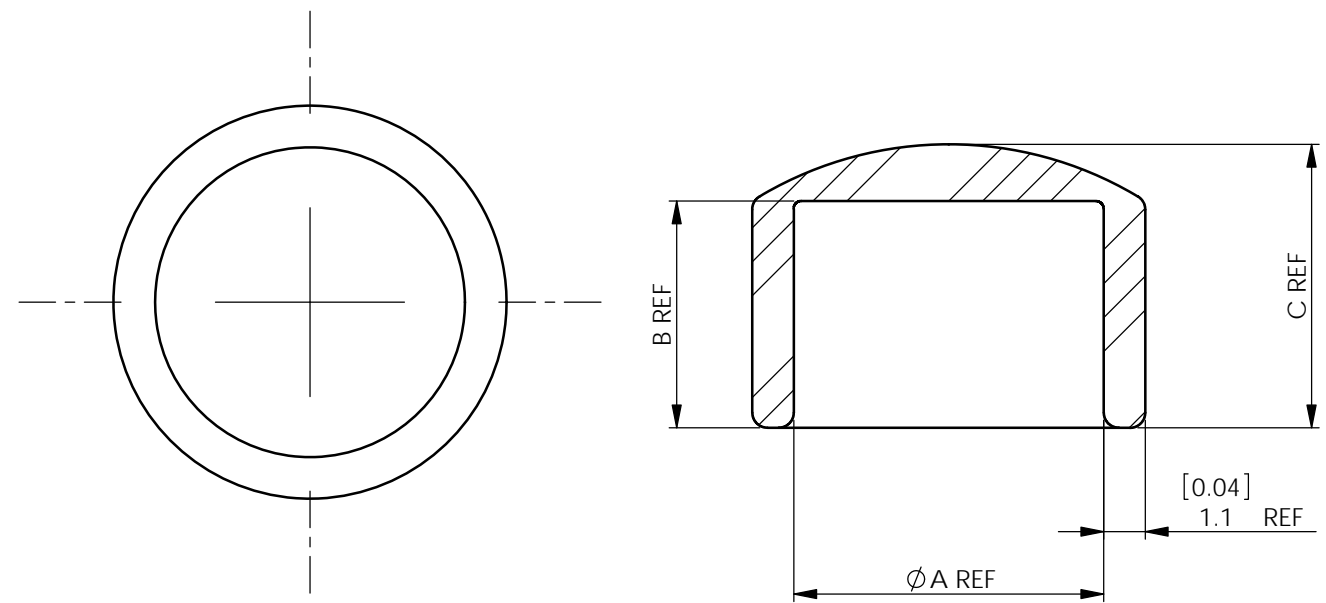


| REV. | MODIFICATION. | DATE | DRN |
|------|--------------------|----------|-----|
| 01 | Production Release | 11/07/08 | PH |
| 02 | CO2010657 | 20/05/09 | SF |
| 03 | CO2011146 | 18/05/11 | SF |
| 04 | CO2011187 | 17/08/11 | SF |



ALTERNATE UNITS FOR REFERENCE ONLY

INFORMATION CONTAINED IN THIS DOCUMENT IS CONFIDENTIAL TO RICHCO INTERNATIONAL Co. Ltd. AND MAY NOT BE DISCLOSED OR REPRODUCED IN WHOLE OR PART WITHOUT THEIR WRITTEN CONSENT.

| | | |
|---|--|-----------------|
| RICHCO, INC. WWW.RICHCO-INC.COM | ALL DIMENSIONS IN mm GENERAL TOLERANCES ± 0.25 UNLESS OTHERWISE STATED 1 DECIMAL PLACE ± 0.25 2 DECIMAL PLACES ± 0.10 ANGULAR $\pm 1^\circ$ | THIRD ANGLE |
| | MATERIAL: Silicone Rubber Shore A 55 ± 5 (RMS-368) | |

| PART | COLOUR | RECOMMENDED | | DIA 'A' | LENGTH 'B' | LENGTH 'C' |
|--|--------|-------------------|---------------------|-------------|------------|-------------|
| | | METRIC SCREW SIZE | IMPERIAL SCREW SIZE | | | |
| SC1 - M4 | BLACK | M4 | #8 | 6.7 [0.264] | 5 [0.197] | 6.5 [0.256] |
| SC1 - M5 | | M5 | 1/4" | 8.2 [0.323] | 6 [0.236] | 7.5 [0.295] |
| SC1 - M6 | | M6 | 5/16" | 9.7 [0.382] | 7 [0.276] | 8.5 [0.335] |
| OTHER COLOURS AVAILABLE BY SPECIAL ORDER | | | | | | |

| | | | |
|---|---------------|--------------------|---------------|
| DESCRIPTION: Hexagon Socket Button Head Screw Cover | | COLOUR: SEE TABLE | |
| DRG No: 08-062 | | PART No: SEE TABLE | |
| NPR No: IT08-0003 | | Mass:(g) 0.3 | SHEET SIZE A4 |
| DRN PH | DATE 20/12/07 | CHKD JC | DATE 15/05/08 |
| SCALE NTS | | SHEET No. 1 OF 1 | |