

PRODUCT NUMBER	PITCH
HWxxA0x000J0G	7.50 mm

Dimension

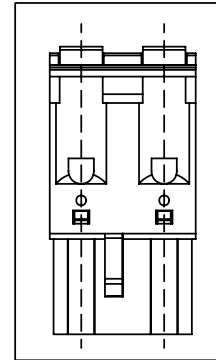
DIM L	$(N-1) \times 7.50 + 5.7$
DIM A	$(N-1) \times 7.50 + 5.0$
DIM B	$(N-1) \times 7.50$

N=Number of poles

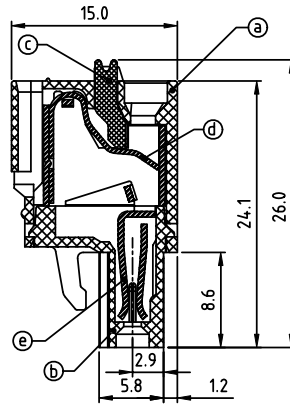
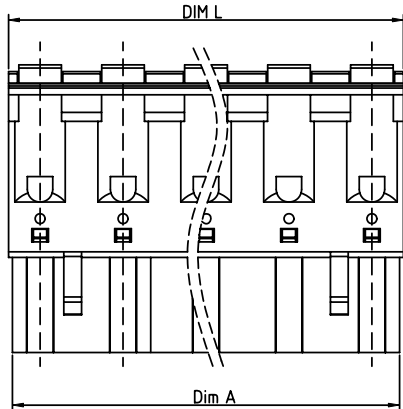
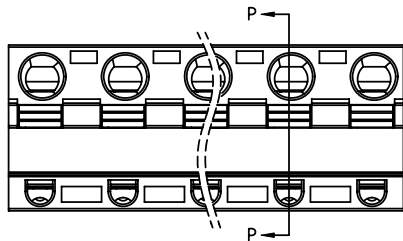
POLES	Tolerance
2p-6p	± 0.15
7p-12p	± 0.20
13p-16p	± 0.30

PART NO.: HW xx A0 x 0 00J0 G

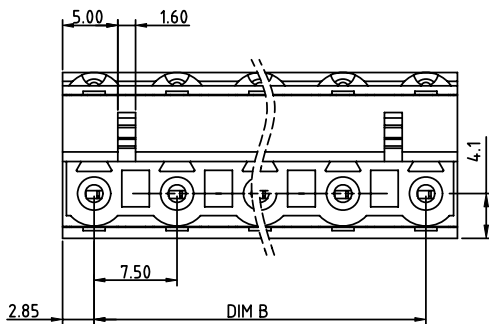
Solid block	0	Color	0 Black (RAL9005)	RoHS compliant
No. of poles	2		02 Red (RAL3001/D)	(lead<4%)
02 2 poles	3		03 Orange(RAL2011/P)	In copper Alloy
03 3 poles	4		04 Yellow(RAL1018/A)	
...	5		05 Green(RAL6018/T)	
...	6		06 Blue (RAL5015/A)	
16 16 poles	8		08 Grey(RAL7035/D)	
	9		09 White(RAL1102)	
	C		Green(RAL6018/U)	



2P mark



SECTION P-P



Material:

- Item@Top body:Thermoplastic (UL94V-0)
- Item@Bottom body:Thermoplastic (UL94V-0)
- Item@Terminal lever:Thermoplastic (UL94V-0) Orange(RAL2011/P)
- Item@Spring clamp:Stainless Steel
- Item@Female contact: PhBz (CuSn) Tin plated

Electrical

- Voltage rating: 300V
- Current rating: 10A
- Solid wire(AWG): 12-26
- Stranded wire(AWG): 12-26
- Wire strip length: 8-9mm
- Withstanding Voltage: 1.6KV
- Operating temperature: -40°C to +115°C
- Safety Approval:



mat'l. code		surface ASME Y14.5 ✓	tolerance ASME Y14.5	projection 	product family TERMINAL BLOCK
ltr	ecn no	dr	date	tolerances unless otherwise specified	title TERMINAL BLOCK SPRING CLAMP, PLUGGABLE PLUG CONTACT ON DOWN SIDE
				angles 	
				X $\pm 1^\circ$	
				scale	MM
dr	EVIN ZHONG	051614			scale
enr	EVIN ZHONG	051614			dwg no
chr	HANKE FENG	051614			sheet 1 of 1
appd	SHI JUN	051614			size
					HWxxA0x000J0G
					A4
sheet index	revision	A			type
	sheet	1			CUSTOMER Drawing