

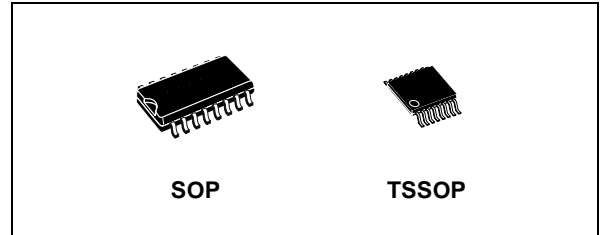
## LOW VOLTAGE CMOS 8 BIT SHIFT REGISTER WITH OUTPUT REGISTER (5V TOLERANT INPUTS)

- HIGH SPEED:  
 $t_{PD} = 5.5ns$  (TYP.) at  $V_{CC} = 3.3V$
- 5V TOLERANT INPUTS
- INPUT VOLTAGE LEVEL:  
 $V_{IL} = 0.8V$ ,  $V_{IH} = 2V$  at  $V_{CC} = 3V$
- LOW POWER DISSIPATION:  
 $I_{CC} = 4 \mu A$  (MAX.) at  $T_A = 25^\circ C$
- LOW NOISE:  
 $V_{OLP} = 0.3V$  (TYP.) at  $V_{CC} = 3.3V$
- SYMMETRICAL OUTPUT IMPEDANCE:  
 $|I_{OH}| = I_{OL} = 4mA$  (MIN)
- BALANCED PROPAGATION DELAYS:  
 $t_{PLH} \cong t_{PHL}$
- OPERATING VOLTAGE RANGE:  
 $V_{CC}(OPR) = 2V$  to  $3.6V$  (1.2V Data Retention)
- PIN AND FUNCTION COMPATIBLE WITH 74 SERIES 594
- IMPROVED LATCH-UP IMMUNITY
- POWER DOWN PROTECTION ON INPUTS

### DESCRIPTION

The 74LVX594 is a low voltage CMOS 8 BIT SHIFT REGISTER WITH OUTPUT REGISTER fabricated with sub-micron silicon gate and double-layer metal wiring C<sup>2</sup>MOS technology. It is ideal for low power, battery operated and low noise 3.3V applications.

This device contains an 8-bit serial-in, parallel-out shift register that feeds an 8-bit D-type storage register. Separate clocks and direct overriding clear (SCLR, RCLR) are provided for both the shift



**Table 1: Order Codes**

| PACKAGE | T & R       |
|---------|-------------|
| SOP     | 74LVX594MTR |
| TSSOP   | 74LVX594TTR |

register and the storage register. A serial (QH') output is provided for cascading purposes. Both the shift register and storage register use positive-edge triggered clocks. If the clocks are connected together, the shift register state will always be one clock pulse ahead of the storage register.

Power down protection is provided on all inputs and 0 to 7V can be accepted on inputs with no regard to the supply voltage. This device can be used to interface 5V to 3V system. It combines high speed performance with the true CMOS low power consumption.

All inputs and outputs are equipped with protection circuits against static discharge, giving them 2KV ESD immunity and transient excess voltage.

**Figure 1: Pin Connection And IEC Logic Symbols**

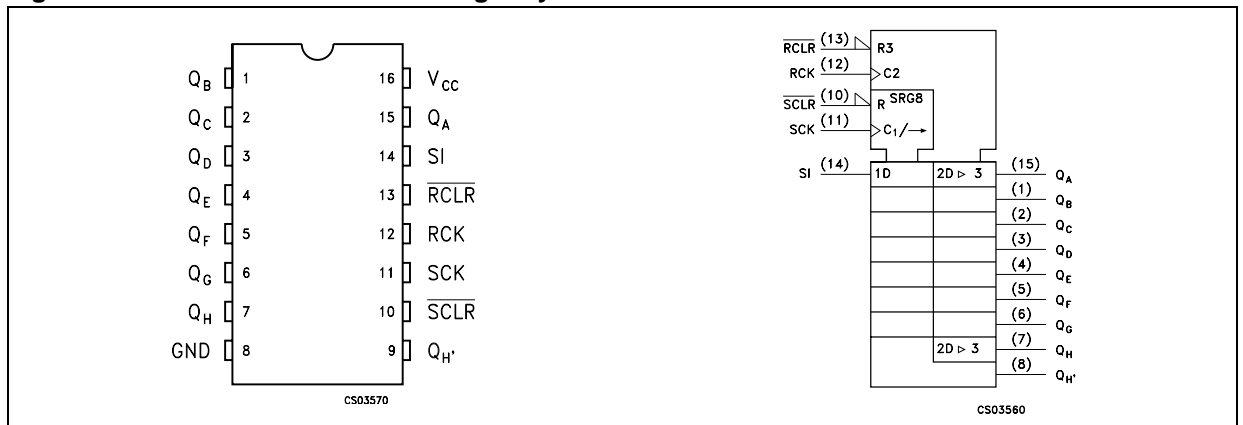


Figure 2: Input Equivalent Circuit

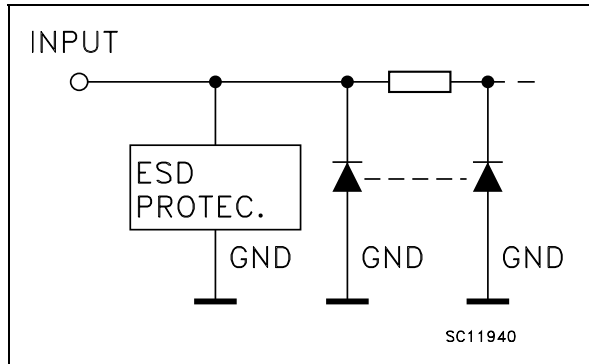


Table 2: Pin Description

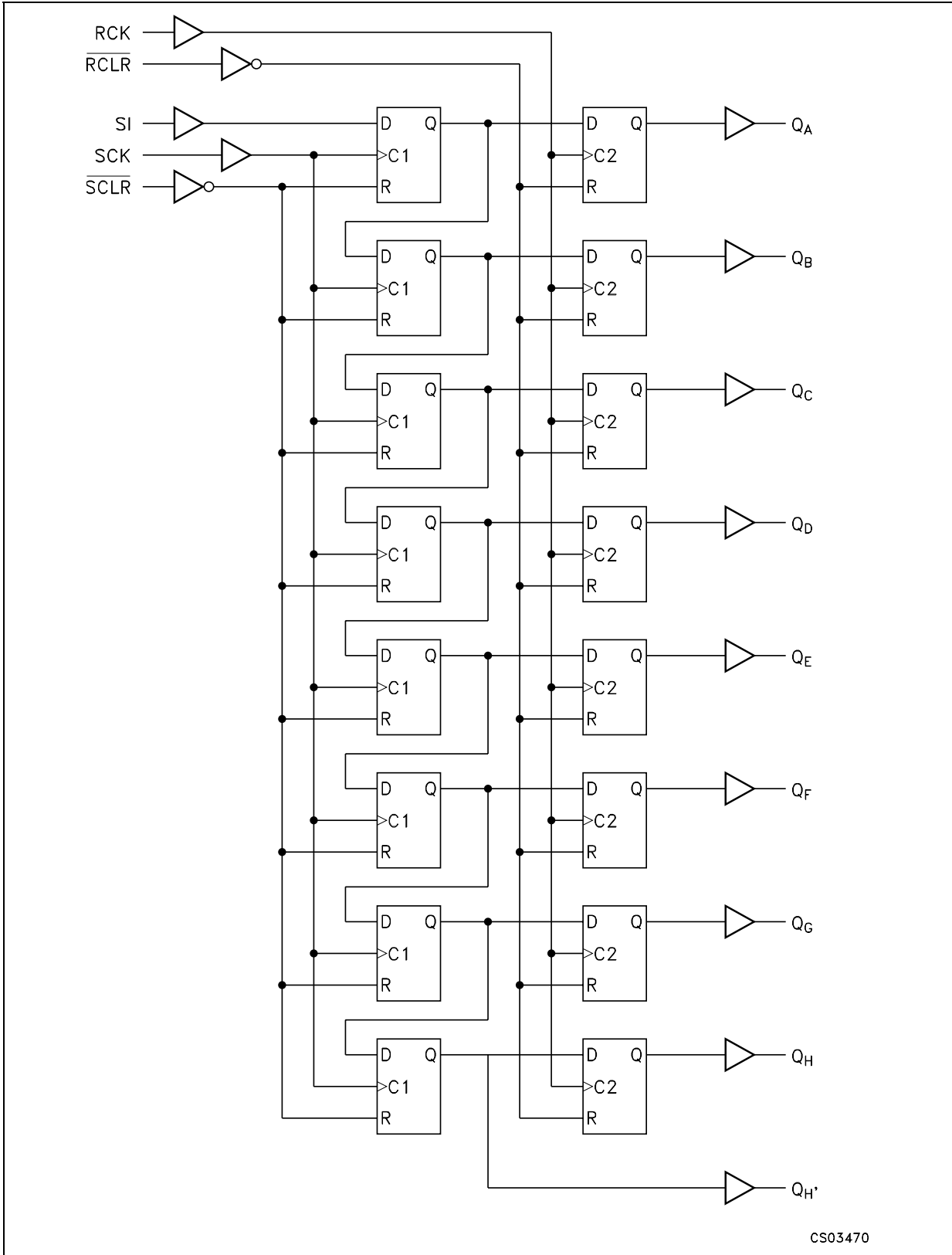
| PIN N°                  | SYMBOL          | NAME AND FUNCTION            |
|-------------------------|-----------------|------------------------------|
| 1, 2, 3, 4, 5, 6, 7, 15 | QA to QH        | Data Outputs                 |
| 9                       | QH'             | Serial Data Output           |
| 10                      | SCLR            | Shift Register Clear Input   |
| 11                      | SCK             | Shift Register Clock Input   |
| 13                      | RCLR            | Storage Register Clear Input |
| 14                      | SI              | Serial Data Input            |
| 12                      | RCK             | Storage Register Clock Input |
| 8                       | GND             | Ground (0V)                  |
| 16                      | V <sub>CC</sub> | Positive Supply Voltage      |

Table 3: Truth Table

| INPUTS |     |      |     |      | OUTPUTS  |
|--------|-----|------|-----|------|--|
| SI     | SCK | SCLR | RCK | RCLR |  |
| X      | X   | L    | X   | X    | SHIFT REGISTER IS CLEAR  |
| L      |     | H    | X   | X    | FIRST STAGE OF SHIFT REGISTER GOES LOW<br>OTHER STAGES STORE THE DATA OF PREVIOUS STAGE, RESPECTIVELY  |
| H      |     | H    | X   | X    | FIRST STAGE OF SHIFT REGISTER GOES HIGH<br>OTHER STAGES STORE THE DATA OF PREVIOUS STAGE, RESPECTIVELY |
| L      |     | H    | X   | X    | SHIFT REGISTER STATE IS NOT CHANGED  |
| X      | X   | X    | X   | L    | STORAGE REGISTER IS CLEARED  |
| X      | X   | X    |     | H    | SHIFT REGISTER DATA IS STORED IN THE STORAGE REGISTER  |
| X      | X   | X    |     | H    | STORAGE REGISTER STATE IS NOT CHANGED  |

X : Don't Care

Figure 3: Logic Diagram

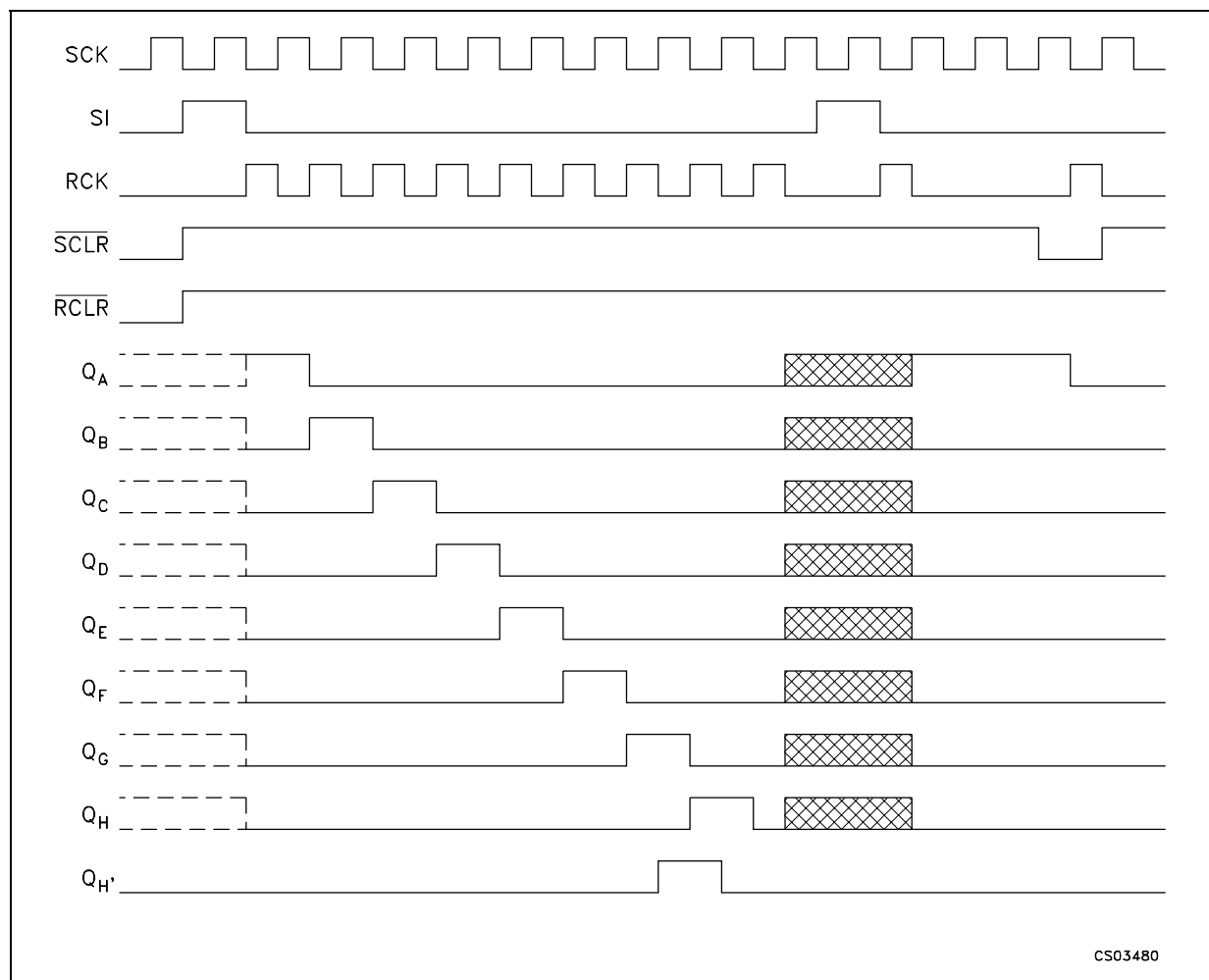


CS03470

This logic diagram has not be used to estimate propagation delays



Figure 4: Timing Chart



CS03480

Table 4: Absolute Maximum Ratings

| Symbol                | Parameter                     | Value                  | Unit        |
|-----------------------|-------------------------------|------------------------|-------------|
| $V_{CC}$              | Supply Voltage                | -0.5 to +7.0           | V           |
| $V_I$                 | DC Input Voltage              | -0.5 to +7.0           | V           |
| $V_O$                 | DC Output Voltage             | -0.5 to $V_{CC} + 0.5$ | V           |
| $I_{IK}$              | DC Input Diode Current        | - 20                   | mA          |
| $I_{OK}$              | DC Output Diode Current       | $\pm 20$               | mA          |
| $I_O$                 | DC Output Current             | $\pm 25$               | mA          |
| $I_{CC}$ or $I_{GND}$ | DC $V_{CC}$ or Ground Current | $\pm 50$               | mA          |
| $T_{stg}$             | Storage Temperature           | -65 to +150            | $^{\circ}C$ |
| $T_L$                 | Lead Temperature (10 sec)     | 300                    | $^{\circ}C$ |

Absolute Maximum Ratings are those values beyond which damage to the device may occur. Functional operation under these conditions is not implied.

**Table 5: Recommended Operating Conditions**

| Symbol   | Parameter   | Value         | Unit |
|----------|---|---------------|------|
| $V_{CC}$ | Supply Voltage (note 1)                               | 2 to 3.6      | V    |
| $V_I$    | Input Voltage   | 0 to 5.5      | V    |
| $V_O$    | Output Voltage  | 0 to $V_{CC}$ | V    |
| $T_{op}$ | Operating Temperature                                 | -55 to 125    | °C   |
| dt/dv    | Input Rise and Fall Time (note 2) ( $V_{CC} = 3.3V$ ) | 0 to 100      | ns/V |

1) Truth Table guaranteed: 1.2V to 3.6V

2)  $V_{IN}$  from 0.8V to 2.0V**Table 6: DC Specifications**

| Symbol    | Parameter                 | Test Condition  |                       | Value              |      |           |             |         |              | Unit    |         |
|-----------|---------------------------|-----------------|-----------------------|--------------------|------|-----------|-------------|---------|--------------|---------|---------|
|           |                           | $V_{CC}$<br>(V) |                       | $T_A = 25^\circ C$ |      |           | -40 to 85°C |         | -55 to 125°C |         |         |
|           |                           |                 |                       | Min.               | Typ. | Max.      | Min.        | Max.    | Min.         |         | Max.    |
| $V_{IH}$  | High Level Input Voltage  | 2.0             |                       | 1.5                |      |           | 1.5         |         | 1.5          |         | V       |
|           |                           | 3.0             |                       | 2.0                |      |           | 2.0         |         | 2.0          |         |         |
|           |                           | 3.6             |                       | 2.4                |      |           | 2.4         |         | 2.4          |         |         |
| $V_{IL}$  | Low Level Input Voltage   | 2.0             |                       |                    |      | 0.5       |             | 0.5     |              | 0.5     | V       |
|           |                           | 3.0             |                       |                    |      | 0.8       |             | 0.8     |              | 0.8     |         |
|           |                           | 3.6             |                       |                    |      | 0.8       |             | 0.8     |              | 0.8     |         |
| $V_{OH}$  | High Level Output Voltage | 2.0             | $I_O = -50 \mu A$     | 1.9                | 2.0  |           | 1.9         |         | 1.9          |         | V       |
|           |                           | 3.0             | $I_O = -50 \mu A$     | 2.9                | 3.0  |           | 2.9         |         | 2.9          |         |         |
|           |                           | 3.0             | $I_O = -4 mA$         | 2.58               |      |           | 2.48        |         | 2.4          |         |         |
| $V_{OL}$  | Low Level Output Voltage  | 2.0             | $I_O = 50 \mu A$      |                    | 0.0  | 0.1       |             | 0.1     |              | 0.1     | V       |
|           |                           | 3.0             | $I_O = 50 \mu A$      |                    | 0.0  | 0.1       |             | 0.1     |              | 0.1     |         |
|           |                           | 3.0             | $I_O = 4 mA$          |                    |      | 0.36      |             | 0.44    |              | 0.55    |         |
| $I_I$     | Input Leakage Current     | 3.6             | $V_I = 5V$ or GND     |                    |      | $\pm 0.1$ |             | $\pm 1$ |              | $\pm 1$ | $\mu A$ |
| $I_{off}$ | Power Off Leakage Current | 0               | $V_I = 0$ to 5V       |                    |      | $\pm 0.1$ |             | $\pm 5$ |              | $\pm 5$ | $\mu A$ |
| $I_{CC}$  | Quiescent Supply Current  | 3.6             | $V_I = V_{CC}$ or GND |                    |      | 4         |             | 40      |              | 40      | $\mu A$ |

**Table 7: Dynamic Switching Characteristics**

| Symbol    | Parameter                                    | Test Condition  |               | Value              |      |      |             |      |              | Unit |      |
|-----------|--|-----------------|---------------|--------------------|------|------|-------------|------|--------------|------|------|
|           |  | $V_{CC}$<br>(V) |               | $T_A = 25^\circ C$ |      |      | -40 to 85°C |      | -55 to 125°C |      |      |
|           |  |                 |               | Min.               | Typ. | Max. | Min.        | Max. | Min.         |      | Max. |
| $V_{OLP}$ | Dynamic Low Voltage Quiet Output (note 1, 2) | 3.3             | $C_L = 50 pF$ |                    | 0.3  | 0.5  |             |      |              |      | V    |
| $V_{OLV}$ |  |                 |               | -0.5               | -0.3 |      |             |      |              |      |      |
| $V_{IHD}$ | Dynamic High Voltage Input (note 1, 3)       | 3.3             |               | 2                  |      |      |             |      |              |      |      |
| $V_{ILD}$ | Dynamic Low Voltage Input (note 1, 3)        | 3.3             |               |                    |      | 0.8  |             |      |              |      |      |

1) Worst case package.

2) Max number of outputs defined as (n). Data inputs are driven 0V to 3.3V, (n-1) outputs switching and one output at GND.

3) Max number of data inputs (n) switching. (n-1) switching 0V to 3.3V. Inputs under test switching: 3.3V to threshold ( $V_{ILD}$ ), 0V to threshold ( $V_{IHD}$ ),  $f = 1MHz$ .

Table 8: AC Electrical Characteristics (Input  $t_r = t_f = 3\text{ns}$ )

| Symbol                   | Parameter                              | Test Condition  |               |  | Value                    |      |      |                             |      |                              | Unit |      |
|--------------------------|--|-----------------|---------------|--|--------------------------|------|------|-----------------------------|------|------------------------------|------|------|
|                          |  | $V_{CC}$<br>(V) | $C_L$<br>(pF) |  | $T_A = 25^\circ\text{C}$ |      |      | $-40$ to $85^\circ\text{C}$ |      | $-55$ to $125^\circ\text{C}$ |      |      |
|                          |  |                 |               |  | Min.                     | Typ. | Max. | Min.                        | Max. | Min.                         |      | Max. |
| $t_{PLH}$ $t_{PHL}$      | Propagation Delay Time<br>(RCK - Qn)   | 2.7             | 15            |  |                          | 5.5  | 9.5  | 1.0                         | 10.0 | 1.0                          | 10.0 | ns   |
|                          |  | 2.7             | 50            |  |                          | 9.0  | 13.0 | 1.0                         | 14.5 | 1.0                          | 14.5 |      |
|                          |  | 3.3(*)          | 15            |  |                          | 4.9  | 8.2  | 1.0                         | 8.8  | 1.0                          | 8.8  |      |
|                          |  | 3.3(*)          | 50            |  |                          | 8.1  | 11.9 | 1.0                         | 13.1 | 1.0                          | 13.1 |      |
| $t_{PLH}$ $t_{PHL}$      | Propagation Delay Time<br>(SCK - QH')  | 2.7             | 15            |  |                          | 6.5  | 11.0 | 1.0                         | 12.5 | 1.0                          | 12.5 | ns   |
|                          |  | 2.7             | 50            |  |                          | 9.2  | 14.0 | 1.0                         | 16.0 | 1.0                          | 16.0 |      |
|                          |  | 3.3(*)          | 15            |  |                          | 5.5  | 9.2  | 1.0                         | 9.9  | 1.0                          | 9.9  |      |
|                          |  | 3.3(*)          | 50            |  |                          | 8.4  | 12.5 | 1.0                         | 13.9 | 1.0                          | 13.9 |      |
| $t_{PHL}$                | Propagation Delay Time<br>(RCLR - Qn)  | 2.7             | 15            |  |                          | 7.3  | 11.0 | 1.0                         | 13.0 | 1.0                          | 13.0 | ns   |
|                          |  | 2.7             | 50            |  |                          | 10.5 | 14.5 | 1.0                         | 16.0 | 1.0                          | 16.0 |      |
|                          |  | 3.3(*)          | 15            |  |                          | 6.0  | 9.8  | 1.0                         | 10.6 | 1.0                          | 10.6 |      |
|                          |  | 3.3(*)          | 50            |  |                          | 9.0  | 13.1 | 1.0                         | 14.4 | 1.0                          | 14.4 |      |
| $t_{PLH}$ $t_{PHL}$      | Propagation Delay Time<br>(SCLR - QH') | 2.7             | 15            |  |                          | 6.3  | 10.5 | 1.0                         | 12.0 | 1.0                          | 12.0 | ns   |
|                          |  | 2.7             | 50            |  |                          | 9.0  | 13.5 | 1.0                         | 15.5 | 1.0                          | 15.5 |      |
|                          |  | 3.3(*)          | 15            |  |                          | 5.6  | 9.2  | 1.0                         | 10.0 | 1.0                          | 10.0 |      |
|                          |  | 3.3(*)          | 50            |  |                          | 8.5  | 12.4 | 1.0                         | 14.0 | 1.0                          | 14.0 |      |
| $f_{MAX}$                | Maximum Clock Frequency                | 2.7             | 15            |  | 70                       | 110  |      | 60                          |      | 60                           |      | MHz  |
|                          |  | 2.7             | 50            |  | 40                       | 90   |      | 35                          |      | 35                           |      |      |
|                          |  | 3.3(*)          | 15            |  | 80                       | 120  |      | 70                          |      | 70                           |      |      |
|                          |  | 3.3(*)          | 50            |  | 55                       | 105  |      | 50                          |      | 50                           |      |      |
| $t_{W(H)}$               | Minimum Pulse Width (SCK, RCK)         | 2.7             | 50            |  | 6.5                      |      |      | 6.5                         |      | 6.5                          |      | ns   |
|                          |  | 3.3(*)          | 50            |  | 5.5                      |      |      | 5.5                         |      | 5.5                          |      |      |
| $t_{W(L)}$               | Minimum Pulse Width<br>(SCLR, RCLR)    | 2.7             | 50            |  | 5.0                      |      |      | 5.0                         |      | 5.0                          |      | ns   |
|                          |  | 3.3(*)          | 50            |  | 5.0                      |      |      | 5.0                         |      | 5.0                          |      |      |
| $t_s$                    | Minimum Set-Up Time (SI - CCK)         | 2.7             | 50            |  | 3.5                      |      |      | 3.5                         |      | 3.5                          |      | ns   |
|                          |  | 3.3(*)          | 50            |  | 3.0                      |      |      | 3.0                         |      | 3.0                          |      |      |
| $t_s$                    | Minimum Set - Up Time (SCK, RCK)       | 2.7             | 50            |  | 9.0                      |      |      | 9.0                         |      | 9.0                          |      | ns   |
|                          |  | 3.3(*)          | 50            |  | 8.5                      |      |      | 8.5                         |      | 8.5                          |      |      |
| $t_s$                    | Minimum Set - Up Time (SCRL - RCK)     | 2.7             | 50            |  | 8.0                      |      |      | 8.0                         |      | 8.0                          |      | ns   |
|                          |  | 3.3(*)          | 50            |  | 7.5                      |      |      | 7.5                         |      | 7.5                          |      |      |
| $t_h$                    | Minimum Hold Time                      | 2.7             | 50            |  | 1.5                      |      |      | 1.5                         |      | 1.5                          |      | ns   |
|                          |  | 3.3(*)          | 50            |  | 1.5                      |      |      | 1.5                         |      | 1.5                          |      |      |
| $t_{REM}$                | Minimum Clear Removal Time             | 2.7             | 50            |  | 3.0                      |      |      | 3.0                         |      | 3.0                          |      | ns   |
|                          |  | 3.3(*)          | 50            |  | 3.0                      |      |      | 3.0                         |      | 3.0                          |      |      |
| $t_{OSLH}$<br>$t_{OSHL}$ | Output To Output Skew Time (note 1, 2) | 2.7             | 50            |  |                          | 0.5  | 1.0  |                             | 1.5  |                              | 1.5  | ns   |
|                          |  | 3.3(*)          | 50            |  |                          | 0.5  | 1.0  |                             | 1.5  |                              | 1.5  |      |

1) Skew is defined as the absolute value of the difference between the actual propagation delay for any two outputs of the same device switching in the same direction, either HIGH or LOW

2) Parameter guaranteed by design

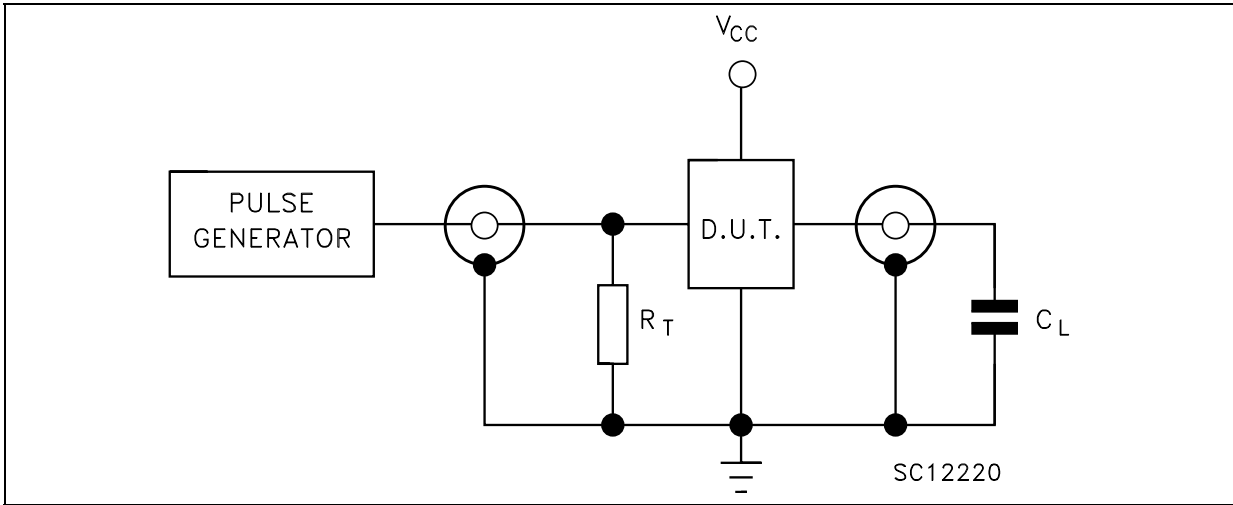
(\*) Voltage range is  $3.3\text{V} \pm 0.3\text{V}$

**Table 9: Capacitive Characteristics**

| Symbol           | Parameter                              | Test Condition      |                         | Value                 |      |      |             |      |              | Unit |      |
|------------------|--|---------------------|-------------------------|-----------------------|------|------|-------------|------|--------------|------|------|
|                  |  | V <sub>CC</sub> (V) |                         | T <sub>A</sub> = 25°C |      |      | -40 to 85°C |      | -55 to 125°C |      |      |
|                  |  |                     |                         | Min.                  | Typ. | Max. | Min.        | Max. | Min.         |      | Max. |
| C <sub>IN</sub>  | Input Capacitance                      | 3.3                 |                         |                       | 7    | 10   |             | 10   |              | 10   | pF   |
| C <sub>OUT</sub> | Output Capacitance                     | 3.3                 |                         |                       | 9    |      |             |      |              |      | pF   |
| C <sub>PD</sub>  | Power Dissipation Capacitance (note 1) | 3.3                 | f <sub>IN</sub> = 10MHz |                       | 55   |      |             |      |              |      | pF   |

1) C<sub>PD</sub> is defined as the value of the IC's internal equivalent capacitance which is calculated from the operating current consumption without load. (Refer to Test Circuit). Average operating current can be obtained by the following equation. I<sub>CC(opr)</sub> = C<sub>PD</sub> × V<sub>CC</sub> × f<sub>IN</sub> + I<sub>CC</sub>

**Figure 5: Test Circuit**



C<sub>L</sub> = 15/50pF or equivalent (includes jig and probe capacitance)  
 R<sub>T</sub> = Z<sub>OUT</sub> of pulse generator (typically 50Ω)

**Figure 6: Waveform - Minimum Pulse Width (f=1MHz; 50% duty cycle)**

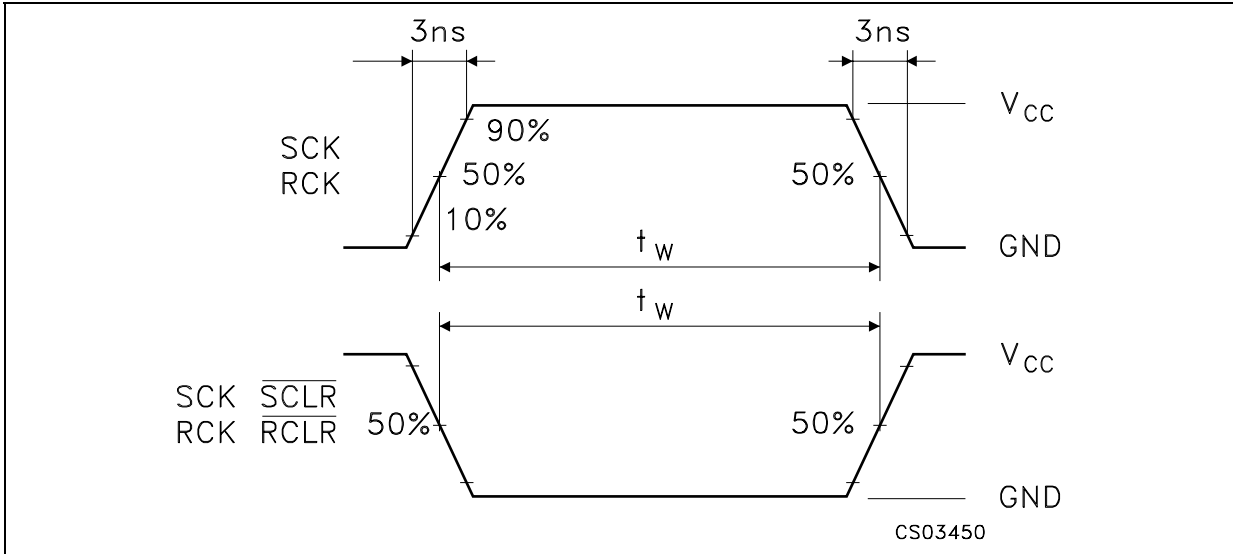
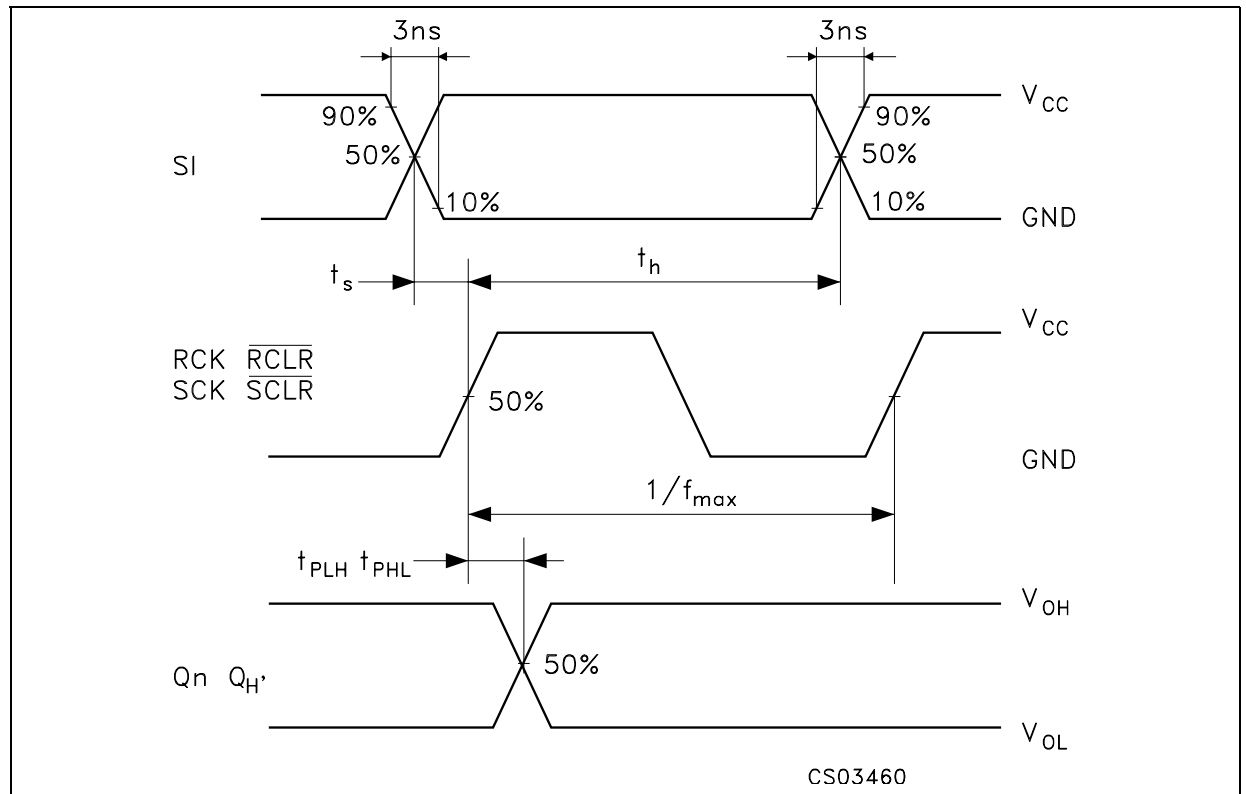
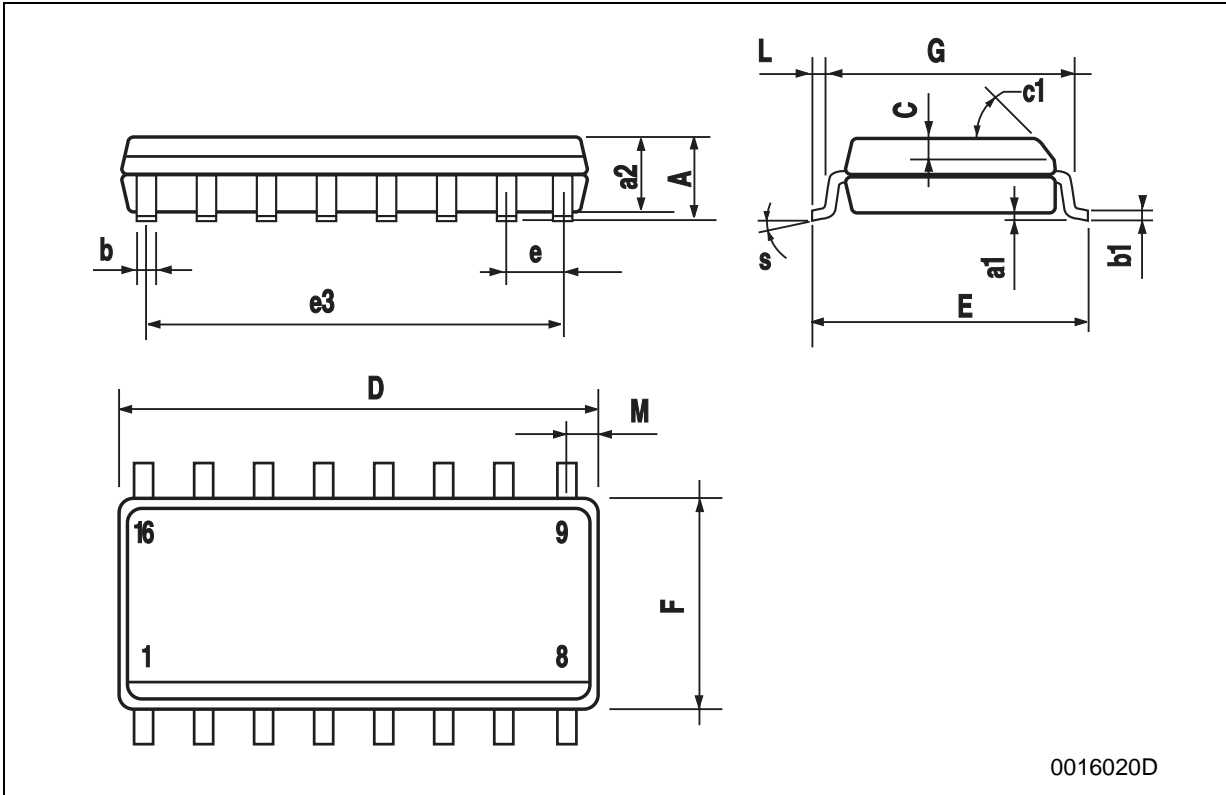


Figure 7: Waveform - Propagation Delays, Setup And Hold Times ( $f=1\text{MHz}$ ; 50% duty cycle)



**SO-16 MECHANICAL DATA**

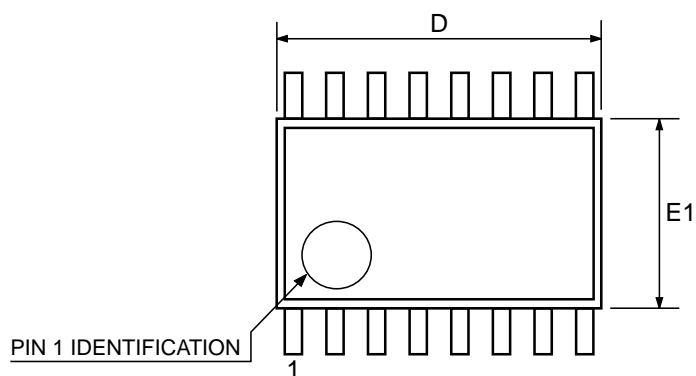
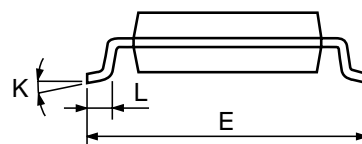
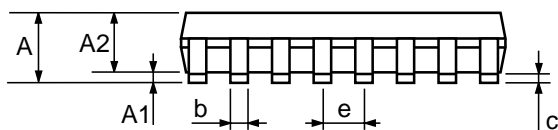
| DIM. | mm.        |      |      | inch  |       |       |
|------|------------|------|------|-------|-------|-------|
|      | MIN.       | TYP  | MAX. | MIN.  | TYP.  | MAX.  |
| A    |            |      | 1.75 |       |       | 0.068 |
| a1   | 0.1        |      | 0.25 | 0.004 |       | 0.010 |
| a2   |            |      | 1.64 |       |       | 0.063 |
| b    | 0.35       |      | 0.46 | 0.013 |       | 0.018 |
| b1   | 0.19       |      | 0.25 | 0.007 |       | 0.010 |
| C    |            | 0.5  |      |       | 0.019 |       |
| c1   | 45° (typ.) |      |      |       |       |       |
| D    | 9.8        |      | 10   | 0.385 |       | 0.393 |
| E    | 5.8        |      | 6.2  | 0.228 |       | 0.244 |
| e    |            | 1.27 |      |       | 0.050 |       |
| e3   |            | 8.89 |      |       | 0.350 |       |
| F    | 3.8        |      | 4.0  | 0.149 |       | 0.157 |
| G    | 4.6        |      | 5.3  | 0.181 |       | 0.208 |
| L    | 0.5        |      | 1.27 | 0.019 |       | 0.050 |
| M    |            |      | 0.62 |       |       | 0.024 |
| S    | 8° (max.)  |      |      |       |       |       |



0016020D

## TSSOP16 MECHANICAL DATA

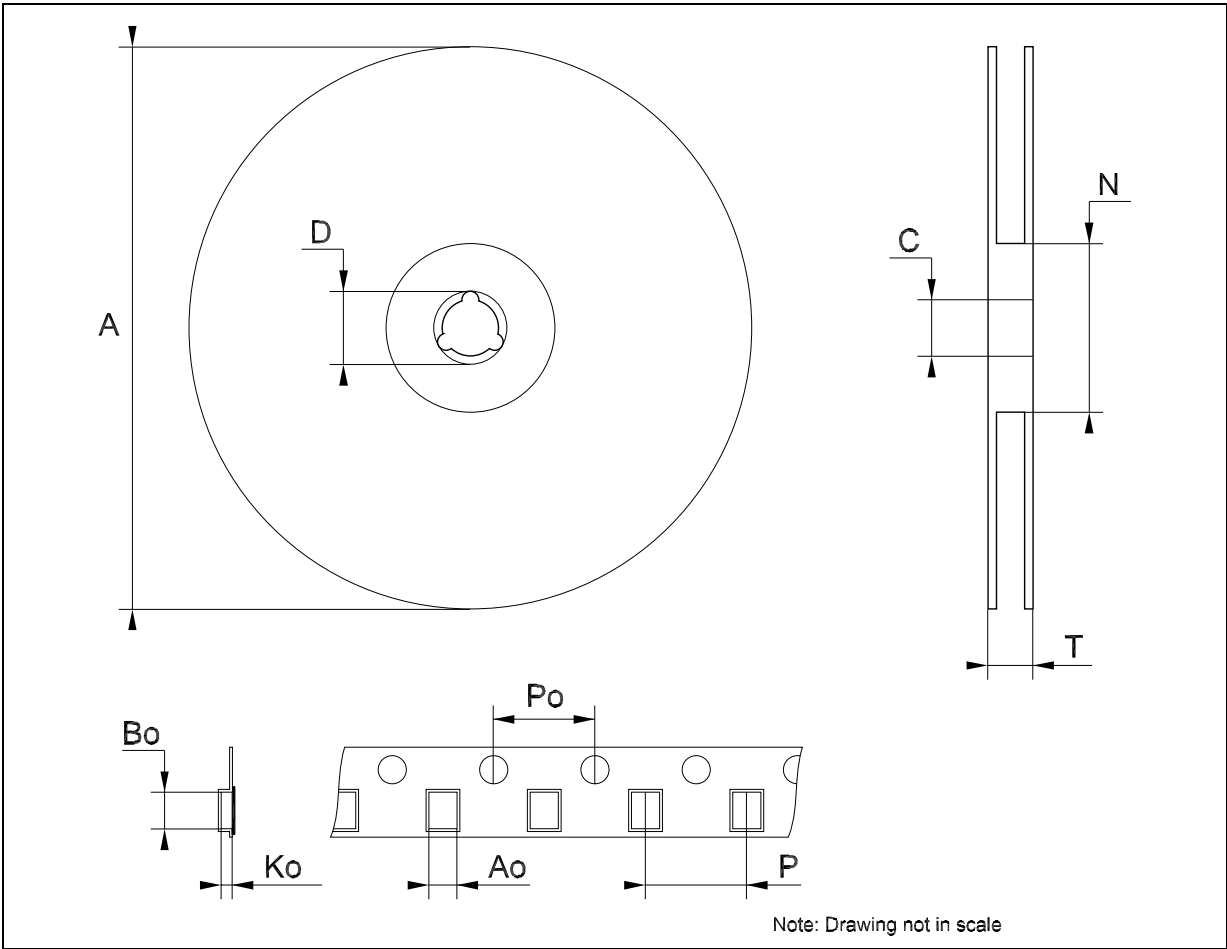
| DIM. | mm.  |          |      | inch  |            |        |
|------|------|----------|------|-------|------------|--------|
|      | MIN. | TYP      | MAX. | MIN.  | TYP.       | MAX.   |
| A    |      |          | 1.2  |       |            | 0.047  |
| A1   | 0.05 |          | 0.15 | 0.002 | 0.004      | 0.006  |
| A2   | 0.8  | 1        | 1.05 | 0.031 | 0.039      | 0.041  |
| b    | 0.19 |          | 0.30 | 0.007 |            | 0.012  |
| c    | 0.09 |          | 0.20 | 0.004 |            | 0.0079 |
| D    | 4.9  | 5        | 5.1  | 0.193 | 0.197      | 0.201  |
| E    | 6.2  | 6.4      | 6.6  | 0.244 | 0.252      | 0.260  |
| E1   | 4.3  | 4.4      | 4.48 | 0.169 | 0.173      | 0.176  |
| e    |      | 0.65 BSC |      |       | 0.0256 BSC |        |
| K    | 0°   |          | 8°   | 0°    |            | 8°     |
| L    | 0.45 | 0.60     | 0.75 | 0.018 | 0.024      | 0.030  |



0080338D

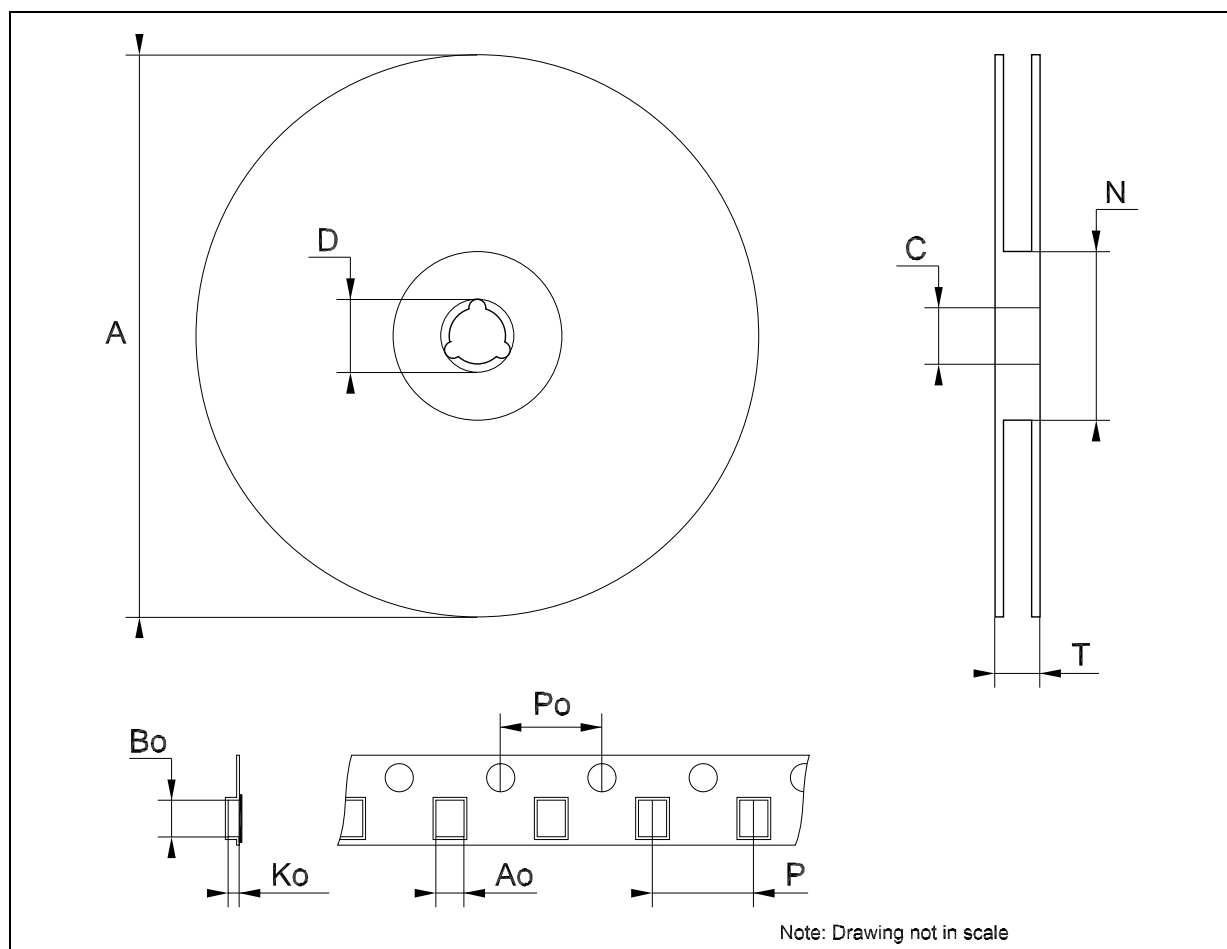
**Tape & Reel SO-16 MECHANICAL DATA**

| DIM. | mm.  |     |      | inch  |      |        |
|------|------|-----|------|-------|------|--------|
|      | MIN. | TYP | MAX. | MIN.  | TYP. | MAX.   |
| A    |      |     | 330  |       |      | 12.992 |
| C    | 12.8 |     | 13.2 | 0.504 |      | 0.519  |
| D    | 20.2 |     |      | 0.795 |      |        |
| N    | 60   |     |      | 2.362 |      |        |
| T    |      |     | 22.4 |       |      | 0.882  |
| Ao   | 6.45 |     | 6.65 | 0.254 |      | 0.262  |
| Bo   | 10.3 |     | 10.5 | 0.406 |      | 0.414  |
| Ko   | 2.1  |     | 2.3  | 0.082 |      | 0.090  |
| Po   | 3.9  |     | 4.1  | 0.153 |      | 0.161  |
| P    | 7.9  |     | 8.1  | 0.311 |      | 0.319  |



## Tape &amp; Reel TSSOP16 MECHANICAL DATA

| DIM. | mm.  |     |      | inch  |      |        |
|------|------|-----|------|-------|------|--------|
|      | MIN. | TYP | MAX. | MIN.  | TYP. | MAX.   |
| A    |      |     | 330  |       |      | 12.992 |
| C    | 12.8 |     | 13.2 | 0.504 |      | 0.519  |
| D    | 20.2 |     |      | 0.795 |      |        |
| N    | 60   |     |      | 2.362 |      |        |
| T    |      |     | 22.4 |       |      | 0.882  |
| Ao   | 6.7  |     | 6.9  | 0.264 |      | 0.272  |
| Bo   | 5.3  |     | 5.5  | 0.209 |      | 0.217  |
| Ko   | 1.6  |     | 1.8  | 0.063 |      | 0.071  |
| Po   | 3.9  |     | 4.1  | 0.153 |      | 0.161  |
| P    | 7.9  |     | 8.1  | 0.311 |      | 0.319  |



**Table 10: Revision History**

| Date        | Revision | Description of Changes            |
|-------------|----------|-----------------------------------|
| 27-Aug-2004 | 5        | Ordering Codes Revision - pag. 1. |

Information furnished is believed to be accurate and reliable. However, STMicroelectronics assumes no responsibility for the consequences of use of such information nor for any infringement of patents or other rights of third parties which may result from its use. No license is granted by implication or otherwise under any patent or patent rights of STMicroelectronics. Specifications mentioned in this publication are subject to change without notice. This publication supersedes and replaces all information previously supplied. STMicroelectronics products are not authorized for use as critical components in life support devices or systems without express written approval of STMicroelectronics.

The ST logo is a registered trademark of STMicroelectronics

All other names are the property of their respective owners

© 2004 STMicroelectronics - All Rights Reserved

STMicroelectronics group of companies

Australia - Belgium - Brazil - Canada - China - Czech Republic - Finland - France - Germany - Hong Kong - India - Israel - Italy - Japan - Malaysia - Malta - Morocco - Singapore - Spain - Sweden - Switzerland - United Kingdom - United States of America

[www.st.com](http://www.st.com)