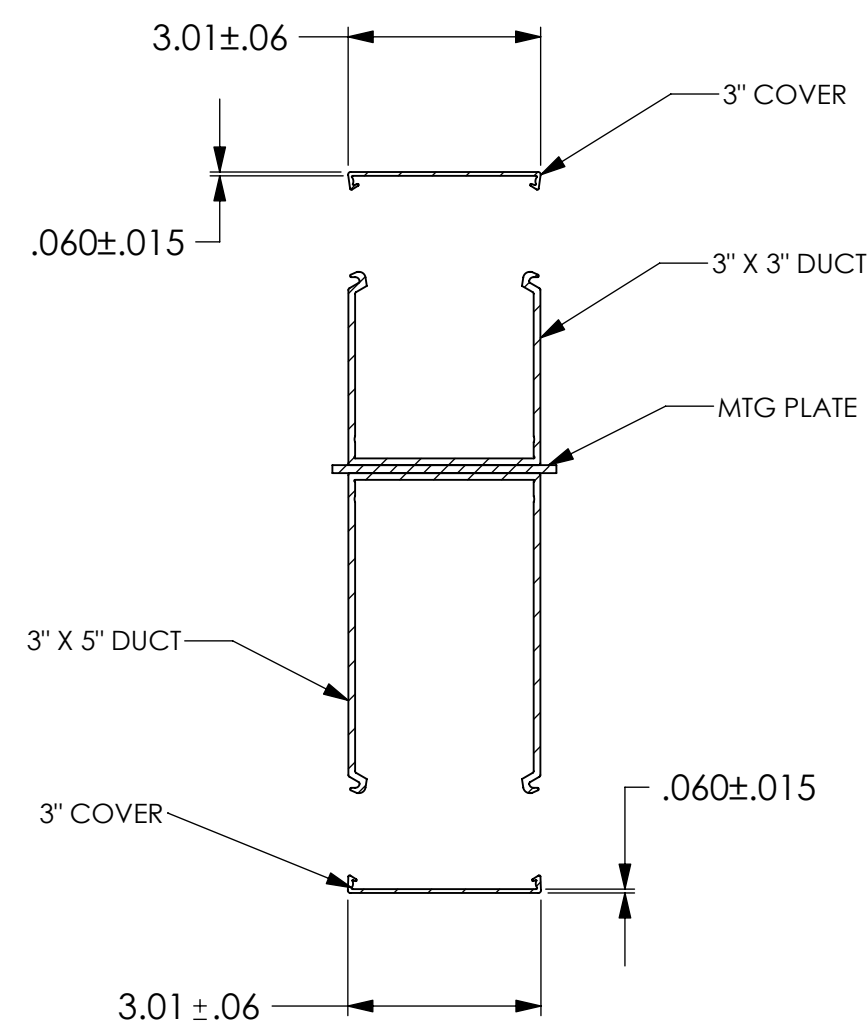
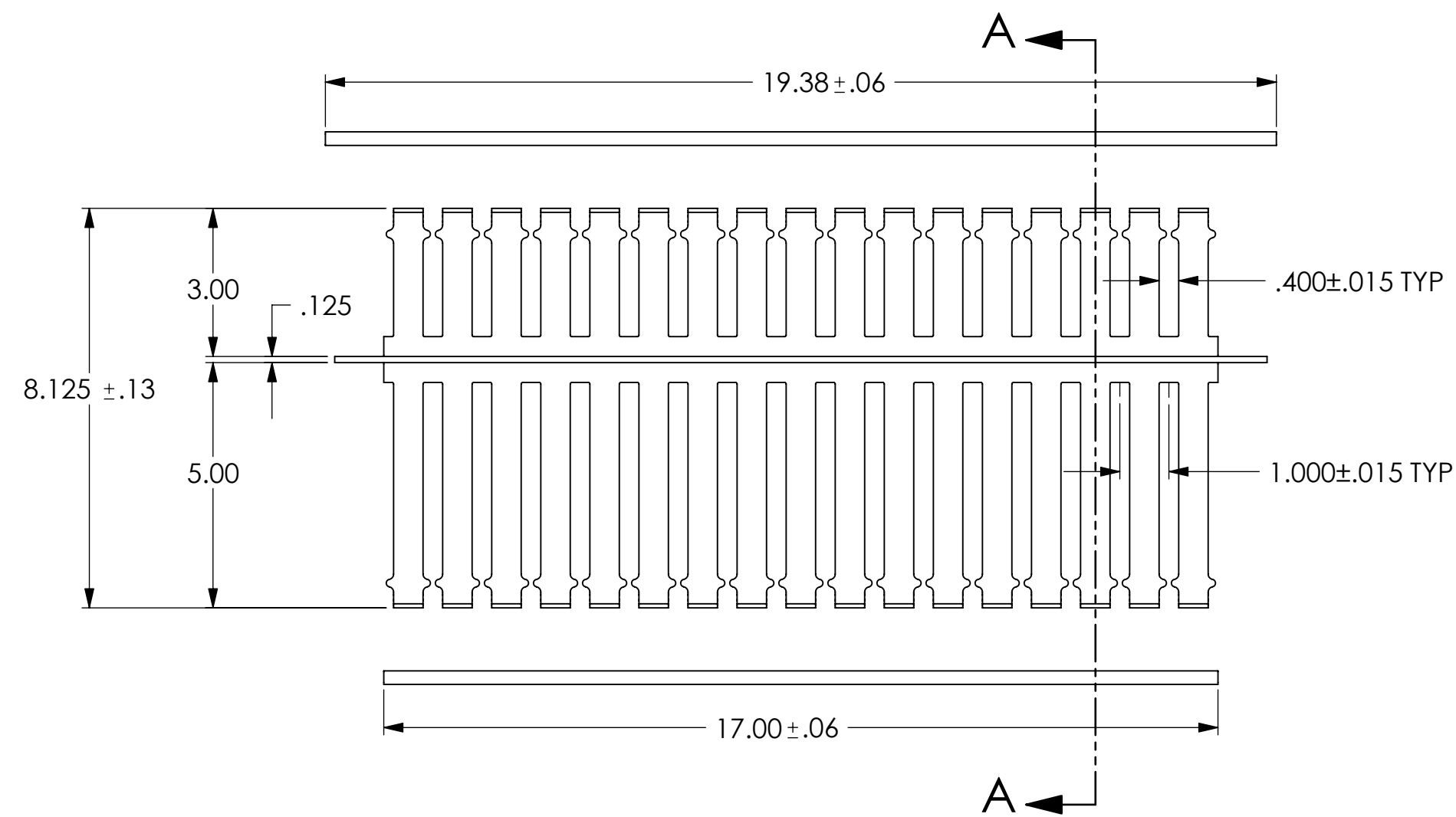


DETAIL G
SCALE 2 : 3



SECTION A-A



03

HellermannTyton®
 ALL PROPRIETARY RIGHTS IN THE SUBJECT MATTER SHOWN ON THIS DRAWING ARE EXCLUSIVE PROPERTY OF HELLERMANNTYTON

name	date	city, state

NOTES

REVISION	level	03
DRAWN	by	AAC
DATE	date	09/13/2005
ECN #	ECN #	010239
part level	part level	-

TOLERANCES
 DIMENSIONS

.XXXX = ±.0005
.XXX = ±.005
.XX = ±.01
.X = ±.03
∠ = ±0.5°
unless otherwise specified
units inches

PART

number	WMB2B	phase	Production
name	2 UNIT DOUBLE SIDED 3 X 3 & 3 X 5 HORIZONTAL WIRE MANAGEMENT BRACKET		
material	PVC DUCT & COVER ALUMINUM MTG BRACKET COLOR: BLACK		

DRAWING

format	C	CAD	SW 2007	scale	1:3
computer file name	DT2012019CST_03	previous drawing number			
drawn	AAC	checked	KAC	approved	
date	02/21/2002	checked	09/16/2005	approved	
type	Customer	sheet	1 of 1		
number	DT2012019CST				