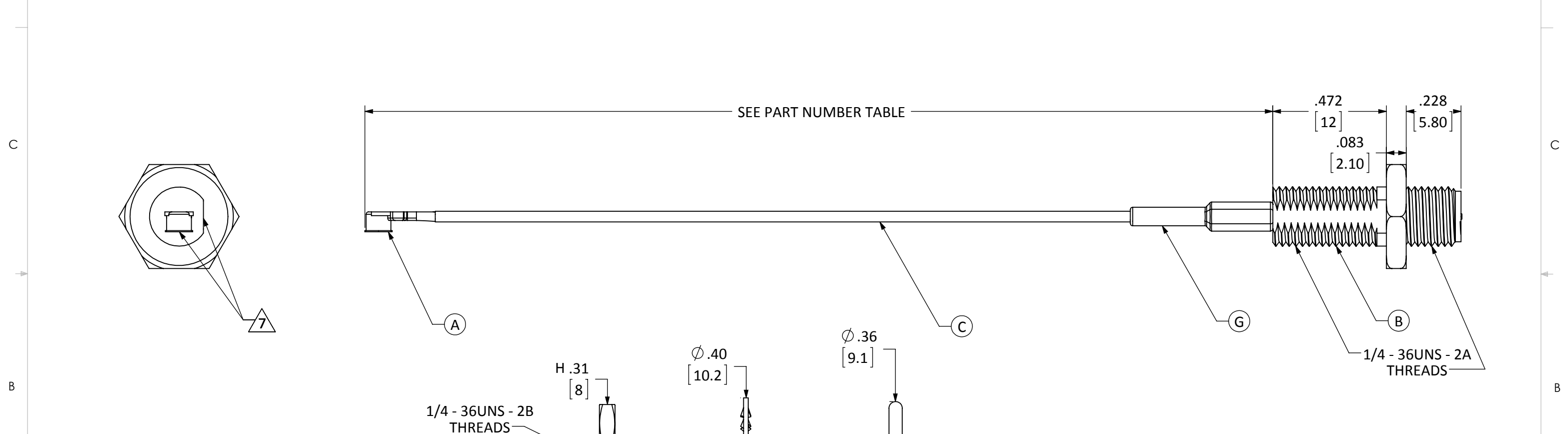


ITEM	DESCRIPTION	MATERIAL	FINISH
A	U.FL PLUG	BRASS	GOLD
B	SEALED RP-SMA FEM. BULKHEAD MOUNT CONNECTOR	BRASS	NICKEL
C	CABLE	1.13mm COAXIAL	GRAY
D	NUT	BRASS	NICKEL
E	WASHER	BRASS	NICKEL
F	O-RING	Si RUBBER	BLACK
G	HEAT SHRINK TUBING	POLYOLEFIN	BLACK

REVISIONS			
REV	DESCRIPTION	DATE	APPV
A	INITIAL RELEASE OF LINX INTERNAL DRAWING	15-APR-14	SAH
B	UPDATED NOTE 3; ADDED NOTE 5; ADDED FLAG NOTE 7 AND VIEW TO ILLUSTRATE CONNECTOR ORIENTATION; ADDED DIMENSIONS; UPDATED DESCRIPTION TABLE	1-SEP-15	SAH
C	UPDATED TO ADD DIMENSIONS TO NUT, WASHER AND O-RING	13-JUL-16	SAH



- NOTES: (UNLESS OTHERWISE SPECIFIED)
- ALL DIMENSIONS ARE IN INCHES [mm].
 - DIMENSIONS APPLY AFTER FINISHING.
 - MANUFACTURE TO BE COMPLIANT WITH EU RoHS DIRECTIVE, USE MATERIALS THAT DO NOT CONTAIN REACH SUBSTANCES OF VERY HIGH CONCERN >1000ppm, AND USE DRC CONFLICT-FREE SOURCED MATERIALS.
 - MINIMUM FREQUENCY RANGE: DC TO 3GHz.
 - CABLE ASSEMBLY SPECIFICATIONS;
 - CHARACTERISITIC IMPEDANCE: $50\Omega \pm 3\Omega$
 - INSERTION LOSS: 100mm - 0.34vf IN GHz TYP.
 - 200mm - 0.56vf IN GHz TYP.
 - 300mm - 0.73vf IN GHz TYP.
 - CONNECTOR TO BE APPLIED IN ACCORDANCE WITH CONNECTOR SUPPLIER RECOMMENDED PROCEDURE.
- 7** CONNECTORS TO BE ORIENTED WITH U.FL CONNECTOR MATING FACE 90° CLOCKWISE FROM BULKHEAD CONNECTOR THREAD FLAT FACE, AS SHOWN.

PART NUMBER	CABLE LENGTH
CSI-RSFE-100-UFFR	100mm
CSI-RSFE-200-UFFR	200mm
CSI-RSFE-300-UFFR	300mm

WARNING: THIS DRAWING CONTAINS PROPRIETARY INFORMATION THAT IS THE SOLE PROPERTY OF LINX TECHNOLOGIES, AND SHALL BE TREATED AS SUCH. NO DISCLOSURE OR REPRODUCTION OF THIS DOCUMENT IS PERMITTED, IN WHOLE OR IN PART, WITHOUT THE EXPRESS WRITTEN PERMISSION OF LINX TECHNOLOGIES OR ITS DESIGNATED AGENTS.

Linx 159 ORT LANE
MERLIN, OR 97532

TITLE: **CABLE ASSEMBLY, U.FL TO FEM. BLKHD RP-SMA, 1.13mm CBL**

MATERIAL: INTERPRET DIMENSIONS AND TOLERANCES PER ASME Y14.5. PROJECTION:

FINISH: SURFACE FINISH: $\sqrt{}$ ANGLES: $\pm 1^\circ$ TOLERANCES: .X $\pm .1$.XX $\pm .01$.XXX $\pm .005$

SIZE DWG. NO. REV
B CSI-RSFE-ccc-UFFR **C**

ENGR: S.HOGAN DT: 15-APR-14 SCALE: 2.5:1 DO NOT SCALE DRAWING SHEET 1 OF 1

DT: 26-MAR-14