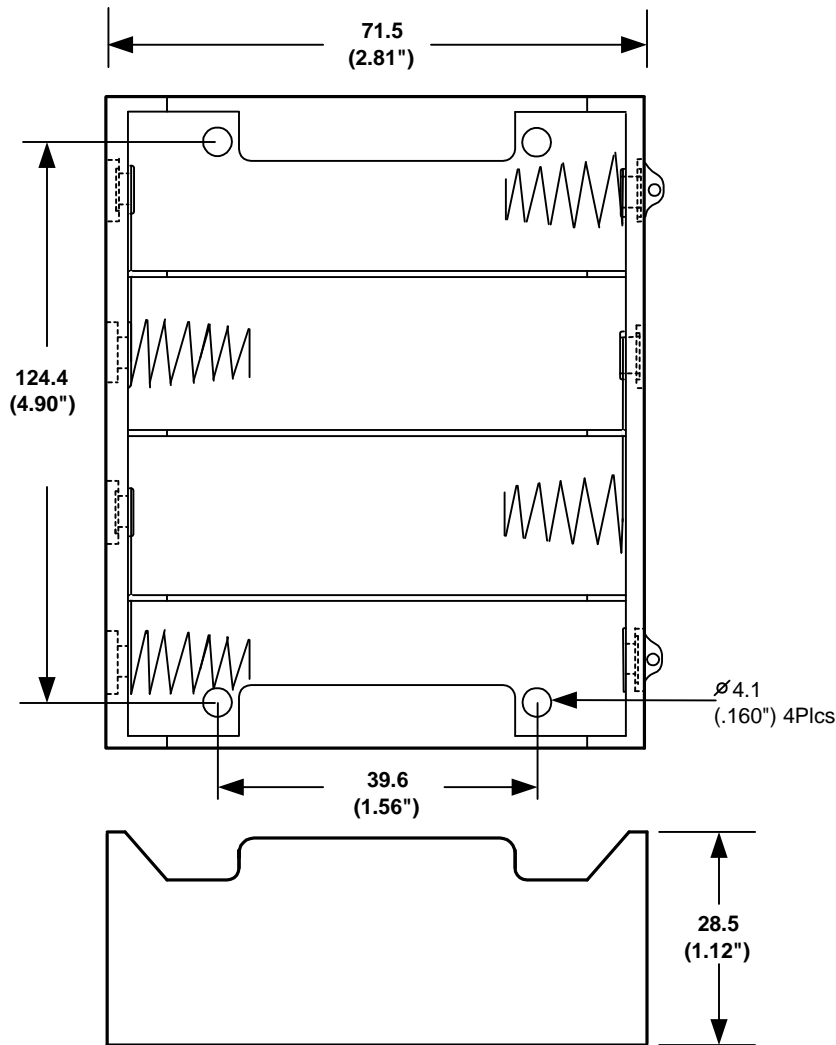


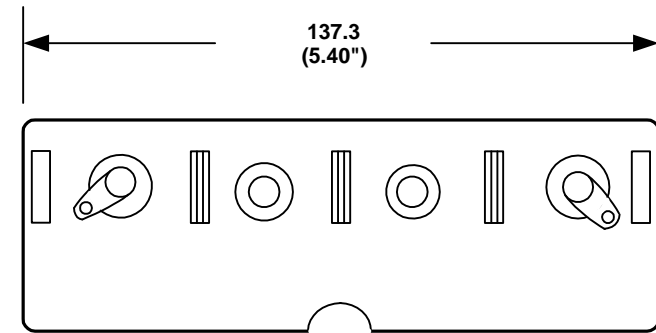
DATE	SYM	REVISION RECORD	AUTH	DR.	CK.
11/05/05	A	ADDED "ROHS COMPLIANT"	T.B.	B.S.	
3/18/06	B	UPDATED MATERIAL SPEC.	T.B.	B.S.	
5/06/06	C	ADDED CONTACT RESI. INFO.	T.B.	B.S.	



SOLDER LUGS SHOWN ABOVE

ORDERING CODE BH4D


SOLDER LUGS	= L
(6") WIRE LEADS	= W
9VOLT TYPE SNAPS	= SF
BUMP PLATES	= B



**SPECIFICATIONS:**

Plastic material - polypropylene  
 Flammability rating-UL94 HB, UL file no. E216959  
 Temperature Range: -10°C to +100°C  
 Springs - nickel plated spring steel Wire - 152.4 mm Ref.Long 26 AWG, UL1007, CSA - TR-64, 300V, 80° C.  
 Rivets - Brass, nickel plated  
 9 Volts Snaps - Brass, nickel plated  
 Contact Resistance: Under 50mΩ for +/- contacts per EIA-540J000  
 ROHS COMPLIANT

**Note:** Dimensions in mm. ( inches )

TOLERANCES (EXCEPT AS NOTED)	 <b>Memory Protection Devices, Inc.</b> 200 Broad Hollow Road, Farmingdale, New York 11735		
DECIMAL		SCALE	DRAWN BY S.C.
+ .5 (.020") - .5 (.020")		-----	APPROVED BY
FRACTIONAL	TITLE		
+ .8 (.030") - .8 (.030")	FOUR "D" CELL HOLDER		
ANGULAR	DATE	DRAWING NUMBER	
+ 3° - 3°	5/06/2006	BH4DL	