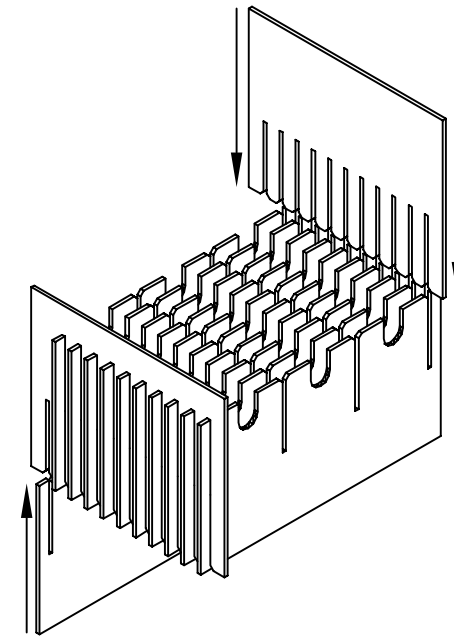
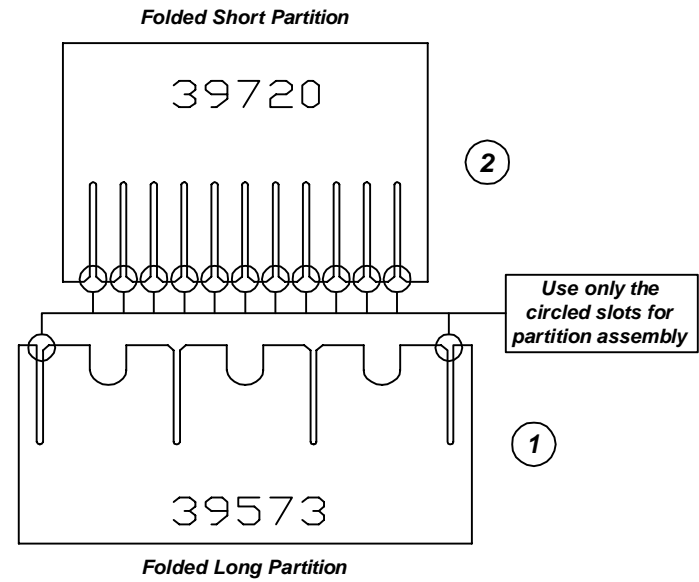
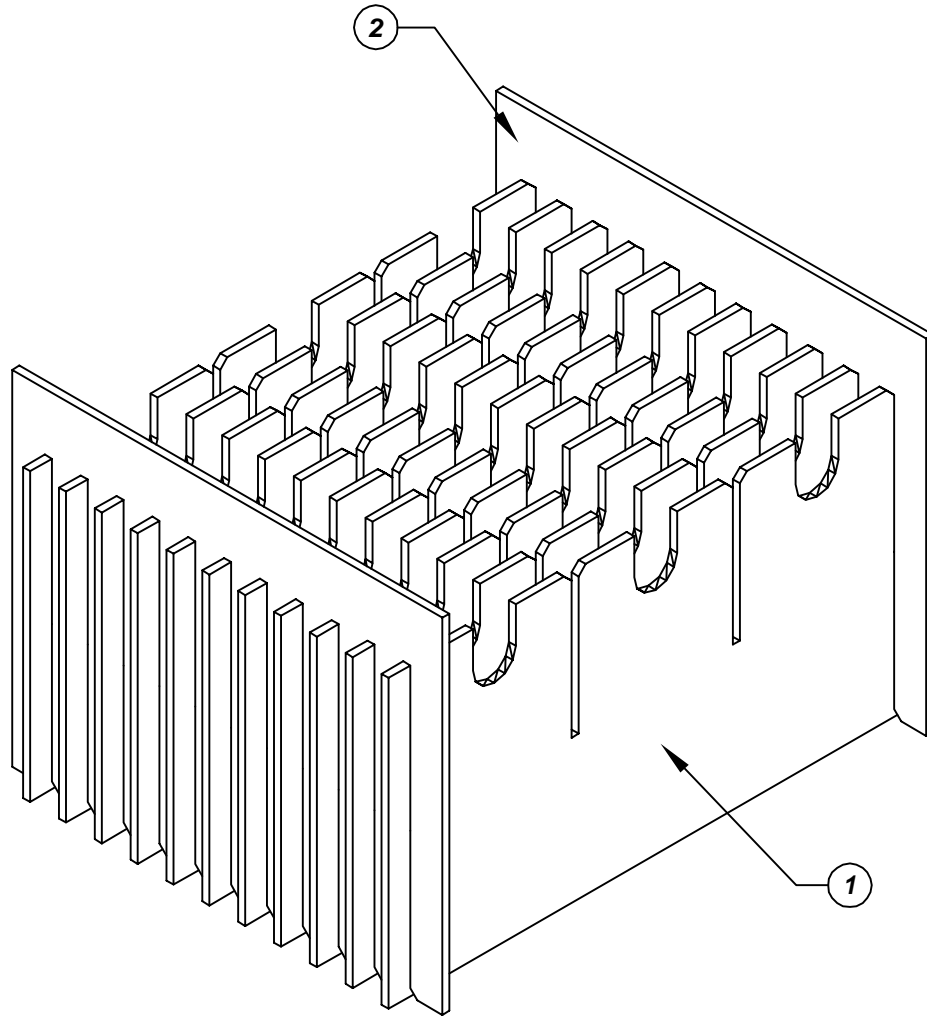


Assembly Instructions for - 37363



Made in America

F/N ①	Part # 39573	Dimensions: 20-1/4" x 18-5/8"	Description: 460-LP-10/30 Long Partition	Qty: 11
F/N ②	Part # 39720	Dimensions: 24-1/4" x 15"	Description: 462-SP-12 Short Partition	Qty: 2

Notes:
For use with the following storage container & lid:
37525 - Storage Container
37554 - Lid

PROTEKTIVE PAK
13520 MONTE VISTA AVENUE, CHINO, CA 91710
PHONE (909) 627-2578, FAX (909) 363-7331
ProtektivePak.com

PROTEKTIVE PAK
BURIED CONDUCTIVE LAYER

DRAWING NUMBER
IPH-37363

DATE
Dec.
2007

37363 - 12 Cell Inplant Handler
Cell Size - 12" x 16-5/8" x 1"