



Multi-Interface PCI Bus Serial Cards

RS-232 | RS-422 | RS-485

Non-isolated Models: 3PCIU2, 3PCIU4

Isolated Models: 3PCIOU1, 3PCIOU2

USER MANUAL



B+B SMARTWORX

Powered by

ADVANTECH

Advantech B+B SmartWorx - Americas

707 Dayton Road
Ottawa, IL 61350 USA
Phone (815) 433-5100
Fax (815) 433-5105

Advantech B+B SmartWorx - European Headquarters

Westlink Commercial Park
Oranmore, Co. Galway, Ireland
Phone +353 91-792444
Fax +353 91-792445

www.advantech-bb.com

ADVANTECH B+B SMARTWORX TECHNICAL SUPPORT

USA/Canada: **1 (800) 346-3119** (Ottawa, IL USA location)
(Monday - Friday, 7:00 a.m. to 7:00 p.m. CST)

Europe: **+353 91 792444** (Ireland location)
(Monday - Friday, 8 a.m. to 5:00 p.m. GMT)

Email: **support@advantech-bb.com**

Web: **www.advantech-bb.com**

TABLE OF CONTENTS

1. GENERAL INFORMATION	1
Introduction.....	1
Features	1
Optically Isolated Models & Features	2
Non-isolated Models & Features	2
Specifications	3
2. SERIAL CARD SETUP.....	4
Pre-Setup Steps	4
ESD Precautions	4
Initial Configuration.....	4
Overview of Operational Modes	5
RS-232 Mode	5
RS-422 Mode	5
RS-485 Mode	5
Operating Mode Selection	6
Setting the DIP Switches on RS-232/422/485 Ports.....	6
Setting the DIP Switches on RS-422/485 Only Ports	7
Installing the Serial Card	8
3. DRIVER SOFTWARE INSTALLATION	9
INSTALLING WINDOWS 7 DRIVER SOFTWARE.....	9
INSTALLING WINDOWS XP DRIVER SOFTWARE	9
Pre-Installation Steps	9
Using the Found New Hardware Wizard	10
PCI Card Software Installation	10
Checking the Driver Installation.....	10
4. SETTING DRIVER OPTIONS	11
CONFIGURING PORT SETTINGS	11
SETTING THE FIFO BUFFERS.....	12
SETTING THE RTS CONTROL PARAMETER.....	13
SETTING THE HARDWARE HANDSHAKING LEVEL.....	13
CHANGING THE COM PORT NAME/NUMBER	13

- 5. REMOVING DRIVERS, PORTS, CARDS 15
 - WINDOWS 7 15
 - Uninstalling the Mlport Card 15
 - Uninstalling the COM ports..... 15
 - Removing INF and PNF Driver Files 15
- 6. RS-232 CONNECTIONS/OPERATION 18
 - RS-232 Mode 18
 - RS-232 Signal Designations ad DB9 Pinouts 18
 - RS-232 Signal Designations..... 19
 - DTE and DCE..... 19
 - RS-232 Signal Levels 19
 - Handshaking 20
 - RTS Control In RS-232 Mode..... 20
- 7. RS-422/485 CONNECTIONS/OPERATION 21
 - RS-422/485 Mode 21
 - RS-422/485 Signal Designations and DB-9 Pinout 21
 - RS-422/485 Signal Designations..... 21
 - RS-422/485 Differential Signals 21
 - RS-422 Operation 22
 - RS-422 Limitations 22
 - RS-485 Operation 23
 - Send Data Control 23
 - RS-485 Termination Resistors 24
 - RS-485 Network Biasing 25
 - 2-Wire RS-485 Connections..... 26
 - 2-Wire RS-485 Mode..... 26
 - 4-Wire RS-422 and RS-485 Connections..... 27
 - RS-422 Point to Point Connection 27
 - RS-422 Point to Multipoint Connection..... 27
 - 4-Wire RS-485 Connection..... 28
- 8. TROUBLESHOOTING MIPOINT PCI CARDS 29
 - Starting Up 29
 - Checking Connections..... 29
 - RS-232/422/485 Operation..... 29

RS-232 Operation	29
RS-422/485 Operation.....	29
Checking the MIport Card.....	30
Appendix A. DIP Switch/Mode Settings.....	32
DIP Switch 1 (RS-232/422/485 ports).....	32
DIP Switch 2 (RS-232/422/485 ports).....	32
DIP Switch 3 (RS-232/422/485 ports).....	33
Setting DIP Switches on RS-422/485 Only Ports	33
DIP Switch 1 (RS-422/485 only).....	33
DIP Switch 2 (RS-422/485 only).....	34
Appendix B. CONNECTOR PINOUTS	35
RS-232 Pinouts	35
RS-422/485 Pinouts	36
Appendix C. TROUBLESHOOTING WITH COMTEST	37
ComTest Features.....	37
Installing ComTest.....	37
Loopback Testing with ComTest	38
ELECTROSTATIC DISCHARGE PRECAUTIONS.....	39

FCC RADIO FREQUENCY INTERFERENCE STATEMENT

This equipment has been tested and found to comply with the limits for a Class B computing device, pursuant to Part 15 of the FCC Rules. These limits are designed to provide reasonable protection against harmful interference when the equipment is operated in a commercial environment. This equipment generates, uses and can radiate radio frequency energy and, if not installed and used in accordance with the instruction manual, may cause harmful interference to radio communications. Operation of this equipment in a residential area is likely to cause harmful interference in which the user will be required to correct the interference at his/her own expense.

Any changes or modifications not expressly approved by the manufacturer could void the user's authority to operate the equipment.

The use of non-shielded I/O cables may not guarantee compliance with FCC RFI limits. This digital apparatus does not exceed the Class B limits for radio noise emission from digital apparatus set out in the Radio Interference Regulation of the Canadian Department of Communications.

Le présent appareil numérique n'émet pas de bruits radioélectriques dépassant les limites applicables aux appareils numériques de classe B prescrites dans le Règlement sur le brouillage radioélectrique publié par le ministère des Communications du Canada.

WARRANTY

Effective for products of B+B SmartWorx shipped on or after May 1, 2013, B+B SmartWorx warrants that each such product shall be free from defects in material and workmanship for its lifetime. This limited lifetime warranty is applicable solely to the original user and is not transferable.

This warranty is expressly conditioned upon proper storage, installation, connection, operation and maintenance of products in accordance with their written specifications.

Pursuant to the warranty, within the warranty period, B+B SmartWorx, at its option will:

1. Replace the product with a functional equivalent;
2. Repair the product; or
3. Provide a partial refund of purchase price based on a depreciated value.

Products of other manufacturers sold by B+B SmartWorx are not subject to any warranty or indemnity offered by B+B SmartWorx, but may be subject to the warranties of the other manufacturers.

Notwithstanding the foregoing, under no circumstances shall B+B SmartWorx have any warranty obligations or any other liability for: (i) any defects resulting from wear and tear, accident, improper use by the buyer or use by any third party except in accordance with the written instructions or advice of the B+B SmartWorx or the manufacturer of the products, including without limitation surge and overvoltage conditions that exceed specified ratings, (ii) any products which have been adjusted, modified or repaired by any party other than B+B SmartWorx or (iii) any descriptions, illustrations, figures as to performance, drawings and particulars of weights and dimensions contained in the B+B SmartWorx' catalogs, price lists, marketing materials or elsewhere since they are merely intended to represent a general idea of the products and do not form part of this price quote and do not constitute a warranty of any kind, whether express or implied, as to any of the B+B SmartWorx' products.

THE REPAIR OR REPLACEMENT OF THE DEFECTIVE ITEMS IN ACCORDANCE WITH THE EXPRESS WARRANTY SET FORTH ABOVE IS B+B SMARTWORX' SOLE OBLIGATION UNDER THIS WARRANTY. THE WARRANTY CONTAINED IN THIS SECTION SHALL EXTEND TO THE ORIGINAL USER ONLY, IS IN LIEU OF ANY AND ALL OTHER WARRANTIES, EXPRESS OR IMPLIED, AND ALL SUCH WARRANTIES AND INDEMNITIES ARE EXPRESSLY DISCLAIMED, INCLUDING WITHOUT LIMITATION (I) THE IMPLIED WARRANTIES OF FITNESS FOR A PARTICULAR PURPOSE AND OF MERCHANTABILITY AND (II) ANY WARRANTY THAT THE PRODUCTS ARE DO NOT INFRINGE OR VIOLATE THE INTELLECTUAL PROPERTY RIGHTS OF ANY THIRD PARTY. IN NO EVENT SHALL B+B SMARTWORX BE LIABLE FOR LOSS OF BUSINESS, LOSS OF USE OR OF DATA INTERRUPTION OF BUSINESS, LOST PROFITS OR GOODWILL OR OTHER SPECIAL, INCIDENTAL, EXEMPLARY OR CONSEQUENTIAL DAMAGES. B+B SMARTWORX SHALL DISREGARD AND NOT BE BOUND BY ANY REPRESENTATIONS, WARRANTIES OR INDEMNITIES MADE BY ANY OTHER PERSON, INCLUDING WITHOUT LIMITATION EMPLOYEES, DISTRIBUTORS, RESELLERS OR DEALERS OF B+B SMARTWORX WHICH ARE INCONSISTENT WITH THE WARRANTY, SET FORTH ABOVE.

1. GENERAL INFORMATION

INTRODUCTION

Mlport PCI serial interface cards allow you to add RS-232, RS-422 and RS-485 interfaces to Windows based computers equipped with a PCI bus. Depending on your choice of card one or two optically isolated serial ports, or two or four non-isolated serial ports, can be added. Mlport PCI serial cards are Plug and Play compatible, which allows the Windows Operating System and driver to set the addresses and IRQ used by the card.

FEATURES

- Optically isolated or non-isolated models available
- Isolated models available in 1 or 2 ports
- Non-isolated models available in 2 or 4 ports
- 4 port model includes fan-out cables
- Plug & play compatible – Windows sets addresses and IRQ used
- 5 Volt and 3.3 Volt PCI bus compatible
- PCI-X compatible
- Conform to the PCI V2.3 Universal PCI specification
- RS-232/RS-422/RS-485 interfaces
- 2-wire or 4-wire RS-485 operation (half or full-duplex)
- Automatic Send Data Control for RS-485 operation
- Buffered high speed XR17D15x PCI Bus UARTs (16C550 compatible) with 64 byte FIFOs for input/output with programmable trigger thresholds
- Advanced driver function for COM port rename (refer to Chapter 4)
- Supports baud rates up to 460.8 kbps
- Windows XP, 2008 Server (32/64 bit), Vista (32/64 bit), 7 (32/64 bit)

OPTICALLY ISOLATED MODELS & FEATURES



Model Number	Ports	Interface	Connectors
3PCIU1	1	RS-232/422/485	DB-9 male
			
3PCIU2	2	RS-232/422/485	DB-9 male
			

Figure 1: MiPort Optically Isolated PCI Serial Interface Cards

NON-ISOLATED MODELS & FEATURES



Model Number	Ports	Interface	Connectors
3PCIU2	2	RS-232/422/485	2 x DB-9 male
			
3PCIU4	4	RS-232/422/485	DB-37 female (plus DB-37 to 4x DB-9 male cable)
			

Figure 2: MiPort Non-isolated PCI Serial Interface Cards

SPECIFICATIONS

OS Supported	Windows XP, 2008 Server (32/64 bit), Vista (32/64 bit), 7 (32/64 bit)
Bus	PCI Bus (33MHz/32-bit) PCI Bus Specification.
Slot	Requires one PCI slot (3.3V or 5V signaling).
Baud Rates	Maximum: Up to 460.8 kbps (RS-232/422/485) Typical: 75, 110, 134, 150, 300, 600, 1200, 1800, 2400, 4800, 7200, 9600, 14.4k, 19.2k, 38.4k, 57.6k, 115.2k, 230.4k, 460.8k
UARTs	XR17D15x (16C550 compatible) with 64 byte FIFO buffers
Character Length	5, 6, 7 or 8 bits.
Parity	Even, odd, none, space or mark.
Stop Bits	1, 1.5 or 2.
Optical Isolation	2000 VDC minimum on all lines.
(3PCIOU1, 3PCIOU2 only)	Ports are isolated from the PC power and ground, as well as other ports on the same card.
Connectors	3PCIOU1: 1 – DB-9 male 3PCIOU2: 2 – DB-9 male 3PCIU2: 2 – DB-9 male 3PCIU4: 1 – DB-37 female w/ DB-37 to 4 x DB-9 male cable
Data Signals	RS-232: TD, RD, RTS, CTS, DTR, DSR, DCD, RI and GND (TD, RD, RTS, CTS, GND only on 3PCIOU4) RS-422: TD(A)-, TD(B)+, RD(A)-, RD(B)+ and GND RS-485: Data(A)-, Data(B)+ and GND
Environmental	Operating temperature range: 0 to 50 °C minimum. Operating humidity: 5% to 95%, non-condensing.
Dimensions	4.8 x 3.8 in (12.2 x 9.6 cm) card edge. (Mounting bracket, 1.2 x 12.1 x 0.9 cm).
Accessories	Software: Driver CD-ROM disc for Windows XP (32-bit/64-bit), Vista (32-bit /64-bit), 7 (32-bit /64-bit), Server 2003 (32-bit /64-bit), Server 2008 (32-bit /64-bit), Server 2008 R2 (64-bit) Manual: Instruction Manual - on CD ROM.

Figure 3: MiPort Serial Card Specifications

2. SERIAL CARD SETUP

The following Serial Card Setup section applies to these PCI cards:

- 3PCIU1 - one-port, optically isolated PCI serial card
- 3PCIU2 - two-port, optically isolated PCI serial card
- 3PCIU2 - two-port, non-isolated PCI serial card
- 3PCIU4 - four-port, non-isolated PCI serial card

Any deviations from the procedure for specific models are noted.

PRE-SETUP STEPS

Your serial card has been tested for proper operation before packaging and shipping. It should be in perfect mechanical and electrical condition upon receipt.

ESD PRECAUTIONS

To ensure a successful installation and setup it is important that you follow the standard ESD precautions outlined below:



CAUTION:

**This is an Electrostatic Sensitive Device.
Use ESD precautions for safe handling.**

Before removing the card from the anti-static protective packaging:

- Discharge any static electricity buildup on your body by touching a large grounded metal surface or the metal chassis on equipment connected to earth ground by a 3-wire power cord. Use of a grounding wrist strap is recommended.
- Avoid touching the gold connectors or other parts on the card except when necessary to set the configuration DIP switches.
- Remove AC power from the computer before inserting the card.

INITIAL CONFIGURATION

The ports in your MIport card are normally pre-configured for RS-232 operation. To ensure the card is configured correctly for your desired operating mode, you must check and/or set the three operating mode DIP switches on the card. If you are configuring for RS-485 Mode you also may have to set up the RTS Control parameter in the device driver.

NOTE: For information on Setting Driver Options, refer to Chapter 4.

OVERVIEW OF OPERATIONAL MODES

RS-232 MODE

In RS-232 Mode, Mlport serial ports function as buffered standard PC serial ports and operate as DTEs (Data Terminal Equipment). RS-232 interfaces are commonly used for communications with modems, serial printers, and computer controlled devices such as security equipment, bar code scanners and point-of-sale devices.

For most Mlport models, RS-232 Mode supports eight single-ended signal lines and Signal Ground (GND) including Transmit (TD), Receive (RD) and six hardware handshake lines (DTR, DSR, RTS, CTS, DCD, RI).

RS-422 MODE

In RS-422 Mode, Mlport serial ports provide two sets of differential signal pairs (TD and RD) and Signal Ground for each port. The RS-422 standard uses balanced differential drivers and receivers for each signal. This facilitates greater communication distances than unbalanced systems such as RS-232. In RS-422 mode, the transmitter and receiver are always enabled (TX ON, RX ON).

RS-422 operation is suitable for interconnecting a computer and one device for full duplex (point-to-point) bi-directional communication, or a computer and several devices for unidirectional (point-to-multi-points) communication. RS-422 interfaces are commonly used for video editing/control, camera control, electronic signage, television studio/satellite dish control, performance lighting and audio equipment control.

RS-485 MODE

In RS-485 Mode, Mlport cards provide RS-485 interfaces which operate with the same signals and signal levels as RS-422. RS-485 interfaces differ from RS-422 in that they allow multiple devices to share the same communication link using half duplex (2-wire) or full duplex (4-wire) connections. Since it is possible to have more than one transmitter connected to the media, transmitters must be enabled only while sending data, and tri-stated at all other times so other devices can use the wire pair. Mlport cards automatically enable the transmitter at the appropriate time using Automatic Send Data Control, based on the contents of the output buffer. When the buffer has data to send, the transmitter is enabled (TX SD). When all data in the buffer has been sent, the transmitter is disabled and tri-stated to a high impedance state.

In half-duplex operation, the receiver is disabled during transmit ($RX \overline{SD}$), and enabled when not transmitting. In full-duplex operation the receiver is always enabled (RX ON). Since RS-485 transmitters are tri-stated when not transmitting, the receive inputs must be biased to ensure the media floats in the Mark state so that the first Space state is detected correctly at the start of the next transmission.

These serial cards incorporate the necessary biasing to accommodate up to 32 standard nodes. (Typical input resistance (R_{in}) for each load is 12k Ω). Provisions are made for custom biasing and/or termination.

NOTE: For more information on RS-485 Mode, refer to Chapter 7.

OPERATING MODE SELECTION

The hardware address and IRQ for the serial card is set by the Windows Operating System using driver information files and the Plug and Play OS.

The Operating Mode is set using DIP switches, Device Manager Driver Settings and by your cable connections and software. Each port on a Mlport card has an associated DIP switch to set its operating mode. The port number associated with the DIP switch is clearly silk-screened on the printed circuit board.

NOTE: For DIP Switch locations on card models, refer to Appendix A.

SETTING THE DIP SWITCHES ON RS-232/422/485 PORTS

Set the DIP switches to configure the desired operating mode as follows:

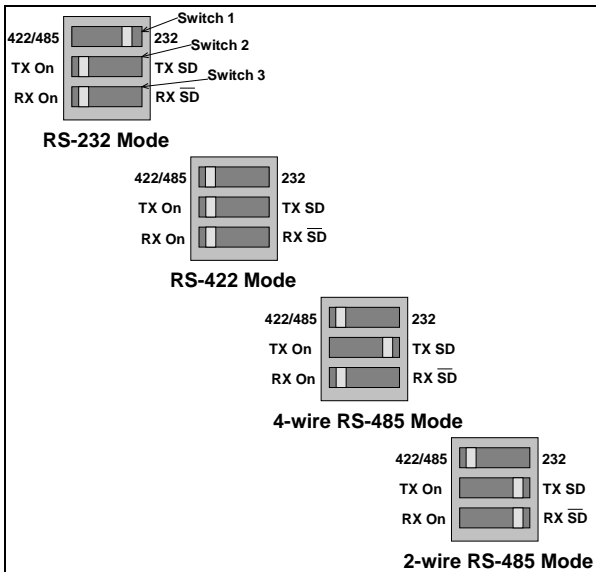


Figure 4: RS-232/422/485 DIP Switch Settings

DIP Switch 1 (RS-232/422/485 Ports)

The top DIP switch (1) configures the port for RS-232 or RS-422/485 operation. This switch is the only one that is required to be set for RS-232 operation. The positions of switches 2 and 3 do not matter when switch 1 is set for RS-232 operation.

DIP Switch 2 (RS-232/422/485 Ports)

The middle DIP switch (2) configures the port for RS-485 or RS-422 operation. For RS-422 operation (which uses two wire pairs and sends point-to-point or point-to-multi-points) the transmitter can be enabled all the time. Placing the middle DIP switch in the TX ON position accomplishes this.

For RS-485 operation, the middle DIP switch is placed in the TX SD position. In this position the transmitter is only enabled when data is being sent. The transmitter is tri-stated when not sending data, allowing other transmitters on the communications line to transmit without interference.

DIP Switch 3 (RS-232/422/485 Ports)

The bottom DIP switch (3) configures the port for half-duplex (two-wire) RS-485 operation or full-duplex (four-wire) RS-422/RS-485 operation. Placing the bottom DIP switch in the RX ON position configures the port for four-wire operation. In this mode the receiver is continuously enabled, allowing it to receive all data on the communications line. Since the transmitter sends data on the other wire pair, the port does not receive its own transmissions.

Placing the bottom DIP switch in the RX \overline{SD} position configures the port for two wire operation. In this mode the transmitter and receiver are connected to the same wire pair. The receiver is disabled when its transmitter is sending, preventing the port from receiving its own data.

SETTING THE DIP SWITCHES ON RS-422/485 ONLY PORTS

Ports that do not include RS-232 operation use double DIP switches rather than triple DIP switches. These DIP switches operate the same as the two bottom DIP switches in the RS-232/422/485 ports.

DIP Switch 1 (RS-422/485 Only)

The top DIP switch (1) configures the port for RS-485 or RS-422 operation. For RS-422 operation (which uses two wire pairs and sends point-to-point or point-to-multi-points), the transmitter can be enabled all the time. Placing the middle DIP switch in the TX ON position accomplishes this.

For RS-485 operation the middle DIP switch is placed in the TX SD position. In this position, the transmitter is only enabled when data is being sent. The transmitter is tri-stated when not sending data, allowing other transmitters on the communications line to transmit without interference.

DIP Switch 2 (RS-422/485 Only)

The bottom DIP switch (2) configures the port for half-duplex (two-wire) RS-485 operation or full-duplex (four-wire) RS-422/RS-485 operation. Placing the bottom DIP switch in the RX ON position configures the port for four-wire operation. In this mode the port's receiver is continuously enabled, allowing it to receive all data on the communications line. Since the port's transmitter sends data on the other wire pair the port does not receive its own transmissions.

Placing the bottom DIP switch in the RX \overline{SD} position configures the port for two-wire operation. In this mode, the port's transmitter and receiver are connected to the same wire pair. The receiver is disabled when its transmitter is sending, preventing the port from receiving its own data.

INSTALLING THE SERIAL CARD



CAUTION:

**This is an Electrostatic Sensitive Device.
Use ESD precautions for safe handling.**

Before removing the card from the anti-static protective packaging:

- Discharge any static electricity buildup on your body by touching a large grounded metal surface or the metal chassis on equipment connected to earth ground by a 3-wire power cord. Use of a grounding wrist strap is recommended.
- Avoid touching the gold connectors or other parts on the card except when necessary to set the configuration DIP switches.
- Remove AC power from the computer before inserting the card.

1. Shut down your computer.
2. Unplug the power cord to remove power to prevent accidentally turning on the computer during installation.
3. Remove the cover of the computer.
4. Locate an empty PCI expansion slot.
5. Remove the expansion slot cover. Save the retaining screw.
6. Ground yourself to the computer chassis before and while inserting the card.
7. Install the card into the unused slot. Be certain that the card is inserted completely (fully seated) in the slot.
8. Secure the card with the mounting screw from Step 5.
9. Replace the cover; plug in the power cord.
10. Connect your cables.
11. Power up the system.
12. Install the drivers as described in Chapter 3.

3. DRIVER SOFTWARE INSTALLATION

INSTALLING WINDOWS 7 DRIVER SOFTWARE

Windows 7 does not have a “Found New Hardware Wizard.” Therefore the MIPort Driver must be installed manually.

1. Install the MIPort Card and place the CD in the CD ROM Drive.
2. Open Device Manager.
3. PCI Serial Port will be listed under “Other Devices.”
4. Select PCI Serial Port, right click, and select “Update Driver.”
5. Select “brows my computer” and locate the drivers on the CD ROM.
6. A windows security notice will be displayed. Select “install.” This notice will be displayed again. Select “install.”
7. “Windows successfully updated driver software” will be displayed. Select close.
8. In device manager, the MIPort Card will be listed under Multiport Serial Adapter. Additional COM Ports will be listed under “Ports (COM & LPT).”

INSTALLING WINDOWS XP DRIVER SOFTWARE

Installation of the MIport driver software on Windows XP is a three-step process:

1. Windows XP searches and identifies new hardware that has been installed.
2. Use the Found New Hardware Wizard to install the driver software for the card.
3. You use the Found New Hardware Wizard to install the software for each port on the card.

There are several possible methods for installing the software. The procedure outlined here is recommended for most situations.

NOTE: If, at some point in the future, you want to update these drivers, remove the old drivers before installing the new version. Refer to Chapter 6 for driver removal procedures.

PRE-INSTALLATION STEPS

1. Configure the port(s) on the card for the desired mode (RS-232, RS-422 or RS-485) using the three DIP switches on the card.
2. If configuring for RS-422 or RS-485 Modes, and bias or termination resistors are needed, add them at this time.

NOTE: For information on DIP switch settings and bias/termination resistors, refer to Chapter 2.

3. Install the card in the slot. Use appropriate ESD handling precautions.
4. Power up the computer.
5. Insert your driver disc in the CD-ROM drive.

USING THE FOUND NEW HARDWARE WIZARD

Windows will detect the PCI card and start the **Found New Hardware Wizard** to begin the driver installation. Driver software (on CD-ROM) is provided with your MIport card. Do not connect to Windows Update to search for software.

1. Select **No, not at this time** and click **Next**.

PCI CARD SOFTWARE INSTALLATION

Once the new hardware has been detected, the wizard will proceed to install the software for the card. The following dialog box will appear:

1. To begin the installation of the software for the PCI card, click **Install the software automatically**. Click **Next**.
2. Windows will find the appropriate files on the CD, then display a dialog box concerning Window Logo testing for Vista. This feature of Vista simply indicates that these drivers have not yet undergone the Microsoft testing procedure required to use the Windows Vista Logo on the packaging. Driver compatibility is not affected.
3. Click **Continue Anyway**.
4. A dialog box will appear indicating the software installation is proceeding.
5. When the **Completing the Found New Hardware Wizard** dialog appears, click **Finish**.

Port Driver Installation

The Welcome to the Found New Hardware Wizard will appear again, indicating it has detected a port on the PCI card. Repeat the steps above to install the port driver software.

If the card you are installing has more than one port, Windows Vista will find each port in sequence and re-launch the **Found New Hardware Wizard** for each port. Repeat the previous steps for each port.

CHECKING THE DRIVER INSTALLATION

You may want to check to verify that the new B+B COM ports are now available.

1. From the Windows Desktop, click **Start** → **Control Panel** → **System and Maintenance** → **Device Manager**
2. In the **Device Manager**, click **Multi-port serial adapters**. All serial adapter cards should appear in the list. Additional information about the cards can be obtained by double-clicking the name of the card.
3. Click **Ports (COM & LPT)**. All installed ports should appear in the list. The COM port number assigned to each port will be shown.

4. SETTING DRIVER OPTIONS

CONFIGURING PORT SETTINGS

By entering the Properties dialog a variety of information can be obtained and several port parameters can be configured.

1. On the **Ports (COM & LPT)** list, double-click the name of the port to be configured.
2. On the **Port Properties** dialog, click the Port **Settings** tab.

The dialog will display the current settings for Bits per second, Data bits, Parity, Stop bits and Flow control. If necessary, change these settings to the required values.

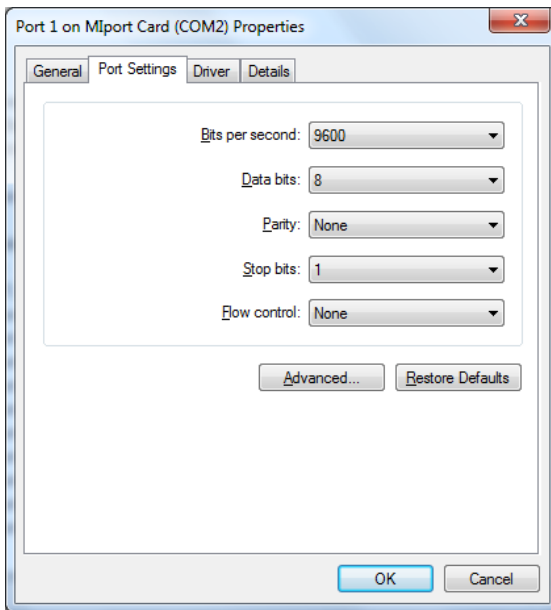


Figure 5: Port Setting Dialog

3. Click **Advanced...**

The **Advanced Port Settings** dialog will appear. This screen allows you to set the Receive and Transmit FIFO buffer thresholds, RTS Control parameters, Hardware handshaking hysteresis level and the COM port name.

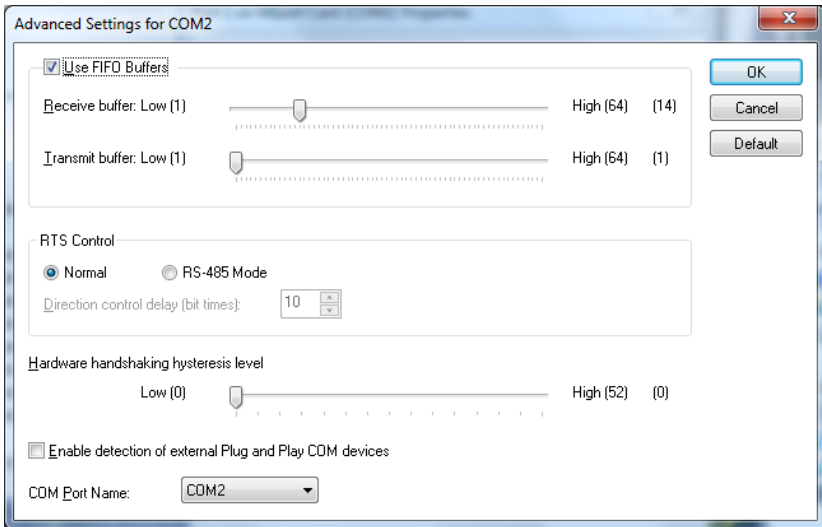


Figure6: Advanced Port Settings

SETTING THE FIFO BUFFERS

MIport cards use UARTs that contain 64-byte transmit and receive FIFO (first in, first out) buffer registers. The transmit buffer holds the data to be sent; the receive buffer holds the data received.

Transmit Buffer: Low parameter in the **Advanced Port Settings** dialog allows you to set the minimum value at which the UART will request more data from the computer. As the MIport card is transmitting data, the number of bytes left in the transmit buffer will decrease. When the buffer reaches the value set, the UART will request more data from program memory. This is intended to optimize the throughput of the data. Typically this parameter is set at zero and usually does not have to be changed.

Receive Buffer: Low parameter in the Advance Port Settings dialog allows you to set the value at which the UART will request that the computer read the data that has been received. As the MIport card is receiving data the contents of the receive buffer increases, when it reaches the value set, the UART will request that the computer transfer the contents of the buffer to program memory. This is intended to optimize the throughput of the data. The default value is 14. Usually this parameter does not have to be changed.

SETTING THE RTS CONTROL PARAMETER

1. Set **RTS Control** to **Normal** for RS-232; set **RTS Control** to **RS-485 Mode** for 2-wire or 4-wire RS-485 operation. Either setting can be used for RS-422.

Typically the COM parameters set in this dialog box are overridden by the software application.

Note: For proper operation the DIP switches on the PCI card must be set for the same mode. Refer to Chapter 2 for more information on configuring the DIP switches.

2. The **Direction Control Delay (bit times)** box allows you to set the length of time the Transmit driver continues to be enabled after the last bit of data in the transmit register has been sent. The purpose of this setting is to maintain the transmission line in a known (idle) state until the data has reached its destination. If the line is released too soon it can pick up noise that could cause problems on the communications system. This parameter is preset to a value of 10 bit times and typically will not have to be changed. For longer transmission lines this value may have to be increased.

SETTING THE HARDWARE HANDSHAKING LEVEL

The **Hardware Handshaking Hysteresis Level (characters)** parameter allows you to set how long the local UART will continue to accept data after its receive buffer has reached the point at which it asks the computer to transfer the data to program memory. When this point is reached the UART de-asserts the RTS hardware handshake line (which is connected to the remote UART's CTS line), stopping the remote device from sending data until its CTS line is re-asserted. This will occur when the local receive FIFO buffer has been cleared. The default value for this parameter is 0. Typically this value will not need to be changed.

CHANGING THE COM PORT NAME/NUMBER

1. To change the COM port number assigned to the port, click the **COM Port Name** arrow and select the new **COM Port Name** from the list.

Available names for COM numbers are shown. Select a new number from those not "in use". COM numbers from COM1 to COM256 may be available. COM numbers "in use" may be used by motherboard ports, modems, virtual COM ports for network serial server devices or FAX modems. Formerly installed USB to serial adaptors, PCI cards or other hardware may have reserved a COM number. The device may need to be added back to the system, then software removed. Advanced editing of the registry may be required to clean up the problem. Special permissions are required with 2000 or XP.

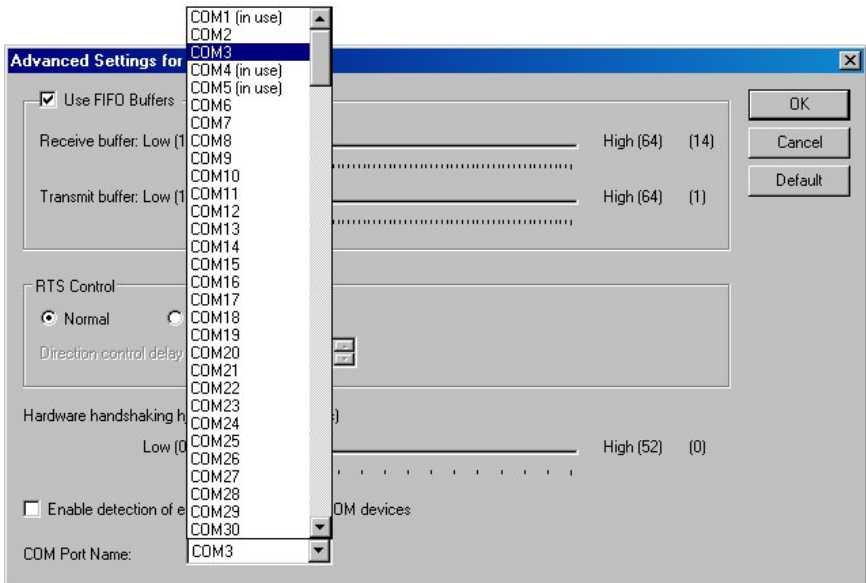


Figure 7: Changing the COM Port Name/Number

1. After selecting a new COM name/number, Click **OK**, then click **OK** again on the **Settings** page.

After returning to the **Device Manager** screen, it should refresh automatically. The name/number of the port in the Device Manager list should now show the change.

5. REMOVING DRIVERS, PORTS, CARDS

WINDOWS 7

UNINSTALLING THE MIPORT CARD

1. In the **Device Manager**, under **Multi-port serial adapters**, right-click the card to be uninstalled. **NOTE:** The card must still be physically installed in the computer, otherwise it will not show up in the Device Manager.
2. In the pop-up menu that appears, click **Uninstall**.
3. On the **Confirm Device Removal** dialog that appears, click **OK**.
4. After a few seconds the dialog will disappear. In the **Device Manager** the listings for the card (under **Multi-port serial adapters**) and all associated COM ports (under **Ports (COM & LPT)**) will be gone.
5. Physically remove the MIport card from the computer.

UNINSTALLING THE COM PORTS

1. In the **Device Manager**, under **Ports (COM & LPT)**, right-click the COM port to be uninstalled.
2. On the **Confirm Device Removal** dialog that appears, click **OK**.
3. After a few seconds the dialog will disappear. In the **Device Manager** the listings for the port (under **Ports (COM & LPT)**) will be gone.

This procedure will not affect other ports or the card itself. To uninstall the card and all its ports use the preceding procedure.

REMOVING INF AND PNF DRIVER FILES

1. Open Windows Explorer as follows: From the **Windows Desktop**, click **Programs** → **Accessories** → **Windows Explorer**
2. Under the Windows directory expand the inf sub-directory and find the oemX.inf and oemX.PNF files (where X represents the number of the file).

The operating system names these files during the installation process. To locate the correct INF files, search for files in **C:\Windows\Inf** and its subdirectories for a file named ***.INF** that contains the text **"Disk #6404"**. There will be two files, unless the installation failed, then there might only be one file. Then, the customer can double-check that it is, in fact, an Advantech B+B SmartWorx file.

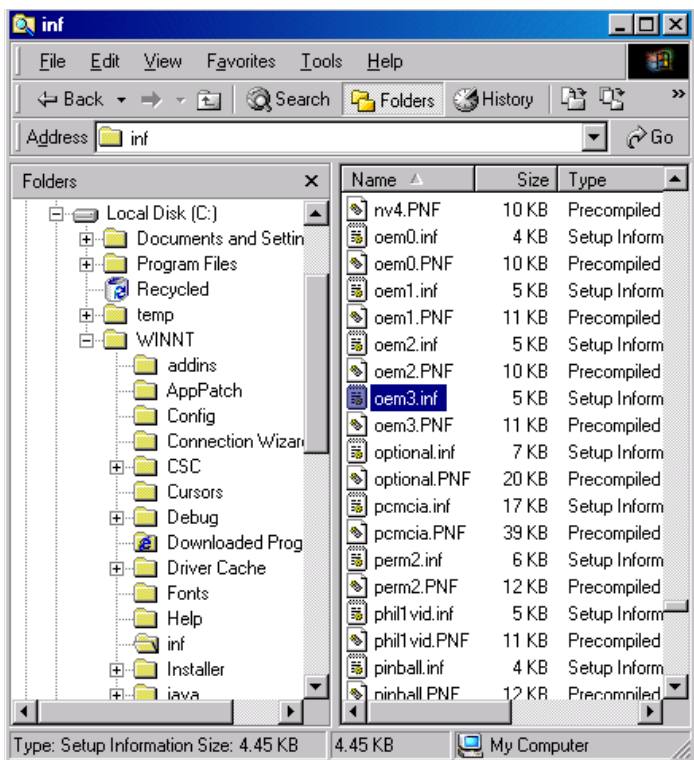


Figure 8: Finding the INF files in Windows Explorer

To find these files, you may need to set your Views (under My Computer) to show all files and folders if the INF directory and .inf files are not visible.

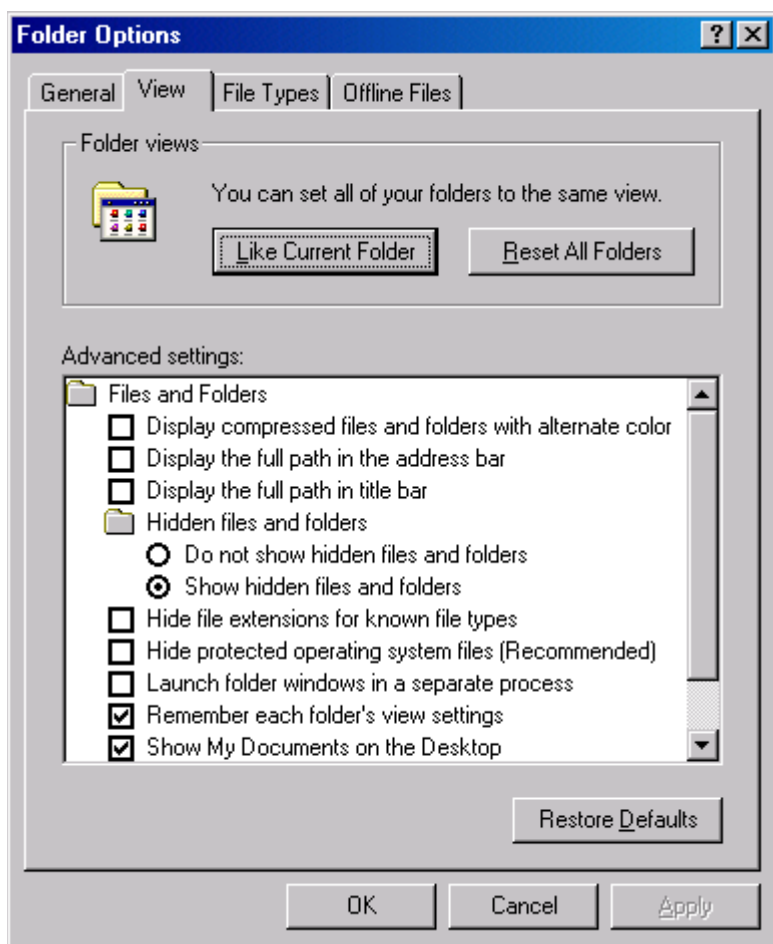


Figure 9: Setting Folder Options to Display Hidden Files

Delete the oemx.inf and oemx.pnf files found in Step 2.

CAUTION! Be careful to delete only the files associated with the PCI card you are trying to uninstall.

6. RS-232 CONNECTIONS/OPERATION

RS-232 MODE

In RS-232 Mode Mlport serial ports function as buffered standard PC serial ports and operate as DTEs (Data Terminal Equipment). RS-232 interfaces are commonly used for communications with modems, serial printers, and computer-controlled devices such as security equipment, bar code scanners and point-of-sale devices.

RS-232 SIGNAL DESIGNATIONS AD DB9 PINOUTS

RS-232 Mode supports eight single-ended signal lines and signal ground. The DB-9 male connector is configured as a standard RS-232 (DTE) serial port. The table below shows the signal names and pin numbers:

RS-232 Signal Name	RS-232 Signal Description	Direction (DTE)	DB-9M Pin
DCD	Data Carrier Detect	Input	1
RD	Receive Data	Input	2
TD	Transmit Data	Output	3
DTR	Data Terminal Ready	Output	4
GND	Signal Ground	-----	5
DSR	Data Set Ready	Input	6
RTS	Request to Send	Output	7
CTS	Clear to Send	Input	8
RI	Ring Indicator	Input	9

Figure 10: RS-232 Signal Designations and DB9 Pinouts

NOTE: For additional cable configurations and pinouts, refer to Appendix B.

RS-232 SIGNAL DESIGNATIONS

The primary RS-232 signals are **TD** (transmit) and **RD** (receive). Together with GND (ground), they often are referred to as a “3-wire” interface.

RTS (Request to Send) and **CTS** (Clear to Send) signals are handshaking lines used to indicate to the other device that data can be sent or received. These lines may be enabled or disabled on a byte-by-byte basis and are used to prevent buffer overrun or the loss of data.

Two secondary handshaking signals are **DTR** (Data Terminal Ready) and **DSR** (Data Set Ready). They are usually enabled when the device is powered up and the port is open. They may be used for flow control by some devices instead of RTS and CTS.

DCD (Data Carrier Detect) is used by a modem to indicate Carrier to the computer so data can be sent/received.

RI (Ring Indicator) is output by a modem to indicate that the phone or FAX line has a incoming call, so it can be handled.

DTE AND DCE

There are two types of RS-232 ports:

- **DTE** (Data Terminal Equipment) which is typically a computer
- **DCE** (Data Communications Equipment) which is typically a modem.

Data Terminal Equipment (DTE)

When a DTE is connected to a DCE they are linked directly together using a modem cable wired pin to pin so that the inputs match the outputs of the other.

Data Communications Equipment (DCE)

When two pieces of equipment of the same type are interconnected (a DTE connected to a DTE, or a DCE to a DCE), a crossover (often called a null modem) cable is needed to route the outputs of one to the inputs of the other. This type of cable is needed to interconnect two computers with RS-232.

NOTE: For additional straight-through and null modem cable diagrams and pinouts, refer to Appendix B.

RS-232 SIGNAL LEVELS

RS-232 signal lines are referenced to ground, and each signal can alternate above and below ground. The RS-232 standard specifies output voltages must be no less than +5 volts and no greater than +25 volts to represent a Space on a transmit line (or an asserted handshake line). Output voltages must be between -5 Volts and -25 Volts to represent a Mark on a transmit line (or a de-asserted handshake line).

The standard specifies that RS-232 inputs accept voltage levels between -3 volts and -25 volts for a Mark (asserted handshake) and between +3 volts to +25 volts for a Space (de-asserted handshake). Typically RS-232 voltages will be between +3V to +11V and -3V to -11V.

HANDSHAKING

To control the flow of data between two devices, some software uses hardware handshaking. RS-232 devices which require hardware handshaking require connection of RTS/CTS and/or DTR/DSR lines in order to operate properly.

Programs for RS-232 may choose to use only the RS-232 TD and RD data lines and ignore hardware handshaking inputs (set up as None in the port configuration). In some cases the software may require connections to verify that a cable is connected and the devices are ready for access (typically DTR/DSR is used).

Some devices may use software handshaking in which data characters (e.g. Xon/Xoff) are sent to start and stop the incoming or outgoing data. These unprintable characters have the decimal value (17) and (19), and can often be generated in a terminal program with CTL+Q or CTL+S.

RTS CONTROL IN RS-232 MODE

In RS-232 mode, Mlport cards support software and hardware handshaking. Handshake lines can be controlled from the communications software used with your application. When operating a Mlport card port in RS-232 mode, set the **RTS Control** driver setting to **Normal**. This ensures that the RTS line will be free to be controlled by your software. If your communications software uses software handshaking, hardware handshake lines will not be required.

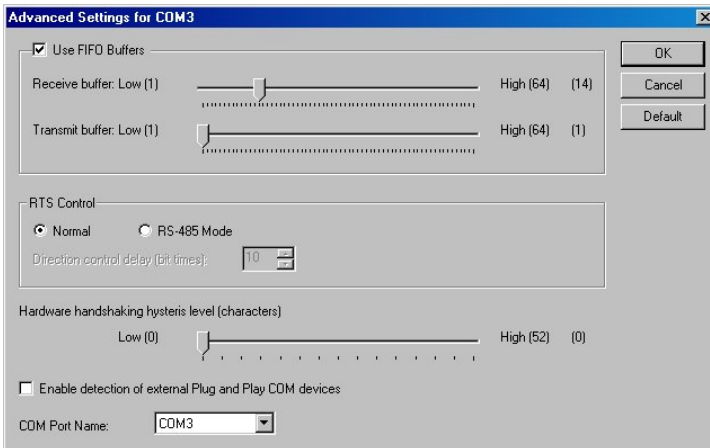


Figure 11: RTS Control – Select Normal for RS-232 Operation

7. RS-422/485 CONNECTIONS/OPERATION

RS-422/485 MODE

In RS-422/RS-485 mode Mlport serial ports provide two sets of differential signal pairs and signal ground for each port. The RS-422 and RS-485 standards use balanced differential drivers and receivers for each signal. This facilitates greater communication distances than unbalanced systems such as RS-232.

RS-422 operation is suitable for interconnecting a computer and one device for full duplex (point-to-point) bi-directional communication, or a computer and several devices for unidirectional (point-to-multipoint) communication. RS-422 interfaces are commonly used for video editing/control, camera control, electronic signage, television studio/satellite dish control, performance lighting and audio equipment control.

RS-485 operates with the same signals and signal levels as RS-422 but differs in that it allows multiple devices to share the same communication link using half duplex (2-wire) or full duplex (4-wire) connections. RS-485 interfaces are commonly used in manufacturing and industrial/commercial control applications such as programmable logic controllers, telemetry, and process control.

RS-422/485 SIGNAL DESIGNATIONS AND DB-9 PINOUT

Name	Description	Direction	DB-9 M Pin
RDA (-)	Receive Data A (-)	Input	1
TDB (+)	Transmit Data B (+)	Output	2
TDA (-)	Transmit Data A (-)	Output	3
GND	Signal Ground	-----	5
RDB (+)	Receive Data B (+)	Input	9

Figure 12: RS-422/485 Signal Designations and DB9 Pinout

NOTE: For additional cable configurations and pinouts, see Appendix B.

RS-422/485 SIGNAL DESIGNATIONS

Typically RS-422 and RS-485 interfaces use five lines including two signal pairs and ground. One signal pair is the transmit pair, labeled **TDA(-)** and **TDB(+)**. The other signal pair is the receive pair, labeled **RDA(-)** and **RDB(+)**. Signal ground is labeled **GND**.

RS-422/485 DIFFERENTIAL SIGNALS

In RS-422 and RS-485 interfaces signals are sent on differential pairs. In the idle, or Mark, state, the TDA(-) line will be 0V with respect to (wrt) ground and the TDB(+) line will be about 4.4V wrt ground. Sensing differentially across the two lines, the voltage will be -4.4V (representing a Mark state). When the

transmitter changes to the Space state TDA(-) goes to +4.4V and TDB(+) goes to 0V. In that state the differential voltage will be +4.4V.

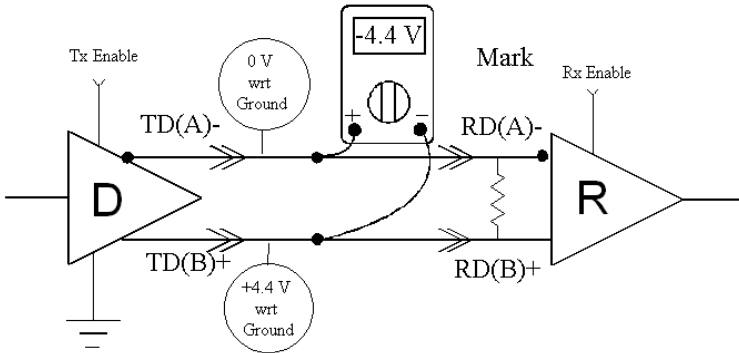


Figure 13: Differential Transmitter/Receiver

The receiver input is a differential circuit which senses the difference in voltage across the transmission line as described above. In addition, any common mode noise picked up equally on both wires of the twisted pair is cancelled. Receiver sensitivity is rated at 200mV. A separate signal ground/common connection provides a common mode reference for the transmitter and receiver (and is often used to ground a shield in the cable). These factors provide reliable communications at much greater distances than RS-232.

RS-422 OPERATION

In RS-422 mode, the transmitter is enabled (TX ENABLE) all the time, and the receiver is enabled (RX ENABLE) all the time. Typical point-to-point connections use a transmitter and receiver at each end with two wire pairs connecting them. The transmit lines of the device at one end of the link are connected to the matching receive lines of the device at the other end. The second device transmit lines are connected to the receive lines of the first.

Another common connection mode—point to multi-points—connects the transmit pair from the master device transmitter to the receive lines of many listening slave devices. In this scenario the communications is one-way. None of the listening devices have transmitters connected to reply to the master.

RS-422 LIMITATIONS

The limitation of RS-422 operation is that only one transmitter can be connected to a wire pair because the transmitter is active all the time. Even when the transmitter is not sending data it will assume the idle, or Mark, state in which TDA(-) is at 0V with respect to ground and TDB(+) line is at about 4.4V with respect to ground. If another transmitter output is connected to the same wire pair, and attempts to begin sending data by setting the line pair to Space state, the first transmitter will hold the opposite

state and neither can communicate. To overcome this limitation, RS-485 mode was developed, in which transmitters connected to the line are put into a high-impedance (tristate) state when not transmitting.

RS-485 OPERATION

RS-485 solves some RS-422 limitations, allowing multi-drop communications using 2-wire and 4-wire connections from multiple transmitters and receivers.

To accomplish multi-drop operation, the transmit driver must be enabled only during transmit (by asserting the enable input (TX SD) of the transmitter) and tri-stated to a high impedance after data has been sent. In the 2-wire (half duplex) mode, the receiver is enabled when not transmitting, and disabled (RX SD) during transmit (called 'echo off' because it avoids having the device receive its own transmissions).

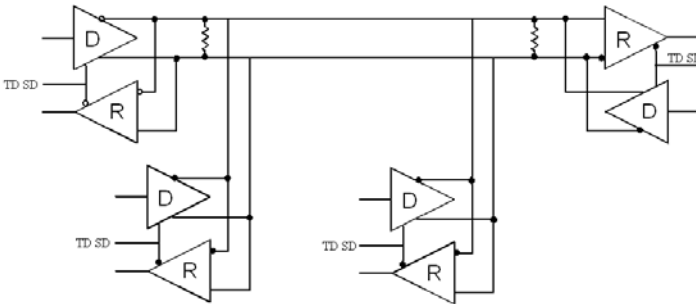


Figure 14: RS-485 Two-Wire Multi-Drop Connection

SEND DATA CONTROL

MIport cards provide Send Data Control (SDC) for the RS-485 driver and receiver. This is hardware controlled based on the contents of the UART output buffer. When data is present, the driver is enabled; when the output buffer becomes empty, it is disabled. This automatically handles whatever baud rate is used.

The RS-485 transmitter and receiver have separate settings for 2-wire modes (TX SD, RX SD) or 4-wire (TX SD, RX ENABLE).

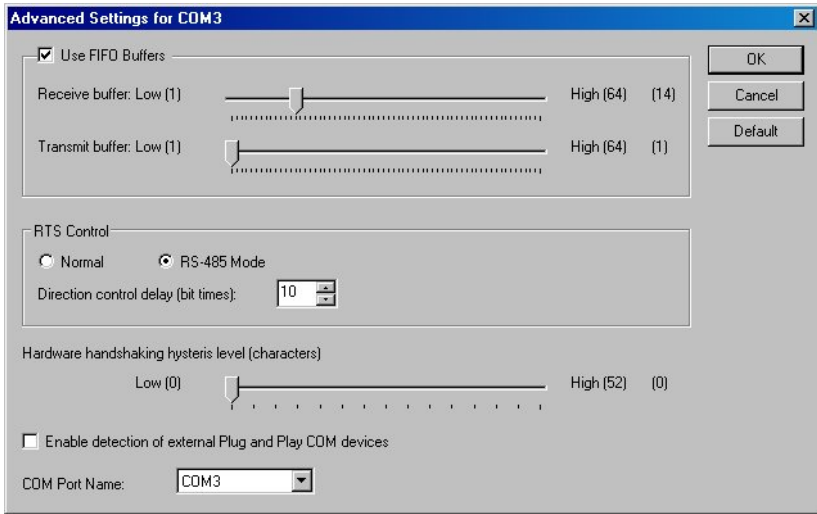


Figure 15: Setting RTS Control for RS-485

The RS-485 mode is set by configuring the DIP switch setting on the MIport card and by selecting **RS-485 Mode** under **RTS Control** in the Advanced COM port settings dialog box.

NOTE: For more information on COM port settings, refer to Chapters 2 and 5.

RS-485 TERMINATION RESISTORS

In some applications termination resistors must be connected across the communications line to ensure reliable communications. Termination resistors absorb signal reflections that can occur when a data signal reaches the end of a transmission line and encounters an impedance higher than that of the transmission line itself. Typically termination resistors are not required for communications links that operate at less than 19.2 kbps. At higher bit rates a termination resistor of 120 ohms may be required. Termination resistors should be connected across the communications line at the extreme opposite ends of the network.

Through hole pads are provided on MIport cards to install termination resistors. When adding termination resistors the value of biasing resistors must be appropriately sized as well.

RS-485 NETWORK BIASING

Unlike RS-422, where the transmitter holds the TDB(+) line high and the TDA(-) line low (in the idle, or Mark state) when not transmitting data, in a RS-485 network, the transmitter tri-states to a high impedance state when not sending data.

It is important to maintain the Mark state for all RS-485 receivers when no data is being sent. Maintaining the line in Mark state minimizes noise (that would otherwise be picked up by a high impedance line). It also provides the starting point so that, when a transmitter begins to send data, the leading edge of the start bit can transition from the Mark to Space state.

To maintain the Mark state biasing is required. Biasing is the technique of placing pull up (to positive voltage) and pull down (to ground) resistors on the line so that all RDA (-) receiver inputs remain at least 200 mV more negative than RDB(+) inputs (Mark state). This ensures the inputs will remain above the receiver threshold of 200mV for all devices on that section of the network. If the biasing is not maintained, the first data bit of a signal may not be detected, and one or more devices may not respond to commands, or may operate intermittently.

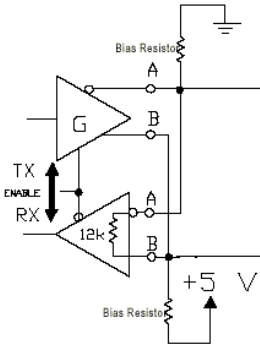


Figure 16: RS-485 Biasing Resistors

MIport RS-485 receivers come pre-biased from the factory with a 4.7 k Ω pull-up resistor on the RDB(+) line and a 4.7 k Ω pull-down resistor on the RDA(-) line. These values are usually adequate for networks that do not implement termination resistors and have 31 or fewer nodes. When termination is used, biasing must be increased (resistors decreased), calculated according to the termination value and number of nodes.

Through hole pads are provided on MIport cards for adding termination resistors and bias resistors. The photograph below shows the layout of through hole pads for installing termination and bias resistors. On all MIport cards the top set of holes is for the termination resistor. The middle and bottom sets of holes are for bias resistors. (Note the factory installed 4.7k resistors in the photograph.) Since bias resistors are always the same value (e.g R pullup = R pulldown = 4.7k) there is no need to identify which set of holes is for pull up and which is for pull down.

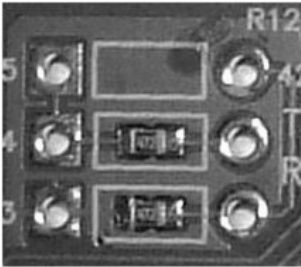


Figure 17: Termination and Bias Resistor Placement

NOTE: For more information on termination, biasing and how to calculate resistor values, download the "RS-422/485 Application Note" from www.advantech-bb.com

2-WIRE RS-485 CONNECTIONS

The following diagram shows how to wire the DB-9 connector that will plug into your MPort card for 2-wire RS-485 operation.

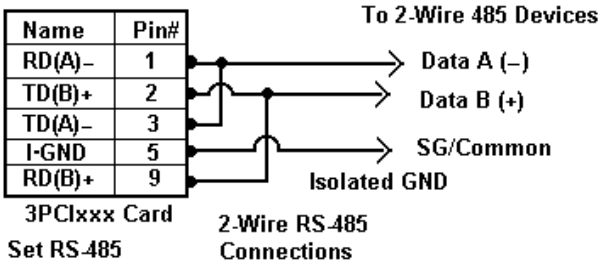


Figure 18: 2-Wire RS-485 Connections

2-WIRE RS-485 MODE

Your cables must bridge pins #1 & #3 and pins #2 & #9 in order to receive and transmit. Connect from Pin #2 to Data B(+) of your devices and from pin #3 to Data A(-) of your devices. Make sure your DIP switches are set, and that the driver Setting for RTS Control is **RS-485 Mode** in the Device Manager, Port Settings, Advanced.

Note that the EIA RS-422 Specification labels data lines with an "A" and "B" designator. Some RS-422 or RS-485 equipment uses a "-" and "+" designator. In most cases, the "A" line is the equivalent of the "-" line and the "B" line is the equivalent of the "+" line. Some device manufacturers may not follow the standard designation for RS-422 or RS-485, using the A connection for "+" and the B for "-". In such cases, reversing the line pair permits operation.

4-WIRE RS-422 AND RS-485 CONNECTIONS

RS-422 POINT TO POINT CONNECTION

For RS-422 point to point communications connect the MPort card and to one RS-422 device only.

1. Connect the TD(B) pin #2 on the computer to RD(B) on the device.
2. Connect the TD(A) pin #3 on the computer to RD(A) on the device.
3. Connect the RD(B) pin #9 on the computer to TD(B) on the device.
4. Connect the RD(A) pin #1 on the computer to TD(A) on the device.
5. Connect the Signal Ground pin #5 to Signal Ground on the device.

RS-422 POINT TO MULTIPOINT CONNECTION

In a multi-slave RS-422 connection, TD(B) and TD(A) connect to RD(B) and RD(A) on all the slaves. If the slaves have Transmit connections, only one device can be connected back to the master.

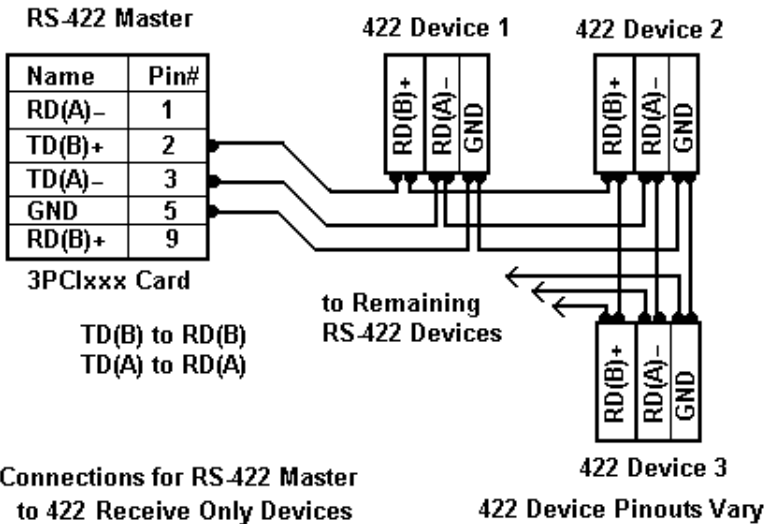


Figure 19: RS-422 Master to RS-422 Receive Only Devices

4-WIRE RS-485 CONNECTION

In a 4-wire RS-485 system, each receive line connects to the same receive terminal on all slaves, and each transmit line connects to the same transmit terminal on all slaves. The master to the first slave is connected as shown previously.

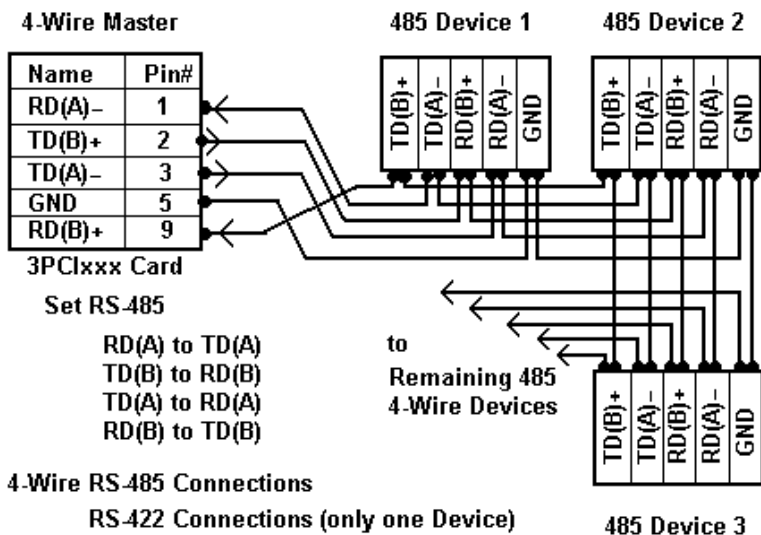


Figure 20: 4-Wire RS-422 or RS-485 Connections

8. TROUBLESHOOTING MIPOINT PCI CARDS

Your MIpoint card should be fully functional when you receive it from the factory. Operational problems encountered on first use will typically be the result of incorrect connections or operation. The following procedure will assist you in locating the source of your problems.

STARTING UP

If you have any trouble starting your system after installing the card, the card may not be properly seated in the slot. Power down the computer, remove and re-insert it, or try a different slot. Ensure your system is set for PnP OS.

(Windows NT should be set to non-PnP.)

CHECKING CONNECTIONS

RS-232/422/485 OPERATION

1. Ensure that you have set up your card for the correct mode of operation (RS-232, RS-422, RS-485 2-wire or 4-wire) using the DIP switches on the card and Advanced Port Settings.

NOTE: For more information on DIP switches, refer to Chapter 2. For more information on Driver Settings, refer to Chapter 5.

2. Ensure your communications parameters (baud rate, parity, stop bits) are set correctly at both ends of your link.

RS-232 OPERATION

1. MIpoint cards are DTE devices. If you are connected to a DCE device use a straight through cable. If you are connected to another DTE device, use a crossover, or null cable.
2. If hardware handshaking is required, ensure you have the right cables and that both ends of your link are configured the same for handshaking.

RS-422/485 OPERATION

1. Check your pinouts. In RS-422 or RS-485 mode the "A" lines should match your "A" or "-" lines. "B" lines should match your "B" or "+" lines.

NOTE: RS-422/485 pinouts are non-standard.

2. Make sure you have RTS Control set to the correct mode: Normal for RS-232, RS-485 Mode for RS-485. RS-422 mode works in either setting if the mode jumpers are set correctly.

CHECKING THE MIPOINT CARD

Using ComTest and a loopback connection, you can check the operation of your Mlport card separate from the rest of your communications system.

NOTE: For information on how to install and use ComTest, refer to Appendix C.

1. A loopback connection for RS-232 connects the Transmit output to the Receive input (pins #2 & #3 on the DB-9 connector). Use connections below to check all.

RS-232 Loopback Connections

Pin#	DB9	RS-232 Signal Names	Signal Direction
#1	Carrier Detector (DCE)		←
#2	Receive Data (Rx)		
#3	Transmit Data (Tx)		→
#4	DTE Ready/Data Terminal Ready (DTR)		←
#5	Signal Ground/Common (SG)		
#6	DCE Ready/Data Set Ready (DSR)		←
#7	Request to Send (RTS)		←
#8	Clear to Send (CTS)		←
#9	Ring Indicator (RI)		←
Soldered to DB9 Metal - Shield			←

Note: CD & RI are inputs from Modem device - use DTR Connection

Figure 21: RS-232 Loopback with Handshaking Connections

2. For RS-422 or 4-wire RS-485, connect the TD(A) to RD(A) and the TD(B) to RD(B). Then use the ComTest program to send characters, and observe the characters being received.

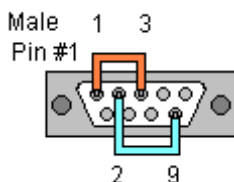


Figure 22: RS-232 Loopback Connector

3. To check 2-wire RS-485 RS-422 or 4-wire RS-485 Loopback Connections, you must either enable the receiver by moving the receive jumper to RX ENABLE mode, or use one port to transmit to another 2-wire RS-485 port or converter by cross connecting and loading ComTest twice, one copy for each port.

Characters typed in one copy of ComTest will appear in the receive window of the other. Note that software must ignore the RS-232 handshaking lines in RS-422/RS485 mode, the input lines (CTS, DSR, DCD, RI) are not pulled high.

4. Some manufacturers label their data connections for A and B reverse of the standard for RS-422 or RS-485, so that the A line is (+) and B line is inverted (-) following the IC standard. In such a case, just swap the wires and try it. No damage occurs in the RS-485 mode, just no devices will respond. The EIA standard for signal labels defines the B line as positive relative to A during the "MARK" state.
5. Try another software package for troubleshooting. Some applications try to bypass the Windows drivers and access the hardware directly.
6. Check the B+B SmartWorx website for available FAQs or troubleshooting hints. www.advantech-bb.com
7. Contact B+B SmartWorx Technical Support for troubleshooting assistance.

APPENDIX A. DIP SWITCH/MODE SETTINGS

Set the DIP switches to configure the desired operating mode as follows:

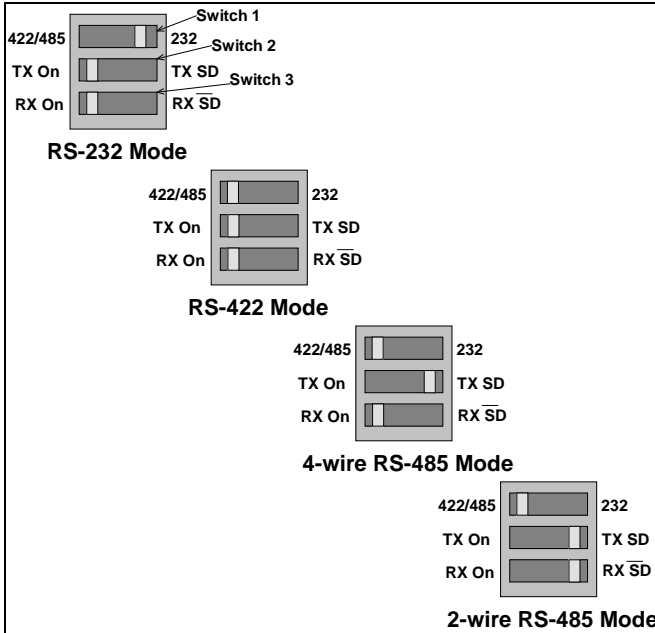


Figure 23: RS-232/422/485 DIP Switch Settings

DIP SWITCH 1 (RS-232/422/485 PORTS)

The top DIP switch (1) configures the port for RS-232 or RS-422/485 operation. This switch is the only one that is required to be set for RS-232 operation. The positions of switches 2 and 3 do not matter when switch 1 is set for RS-232 operation.

DIP SWITCH 2 (RS-232/422/485 PORTS)

The middle DIP switch (2) configures the port for RS-485 or RS-422 operation. For RS-422 operation (which uses two wire pairs and sends point-to-point or point-to-multi-points) the transmitter can be enabled all the time. Placing the middle DIP switch in the TX ON position accomplishes this.

For RS-485 operation the middle DIP switch is placed in the TX SD position. In this position the transmitter is only enabled when data is being sent. The transmitter is tri-stated when not sending data, allowing other transmitters on the communications line to transmit without interference.

DIP SWITCH 3 (RS-232/422/485 PORTS)

The bottom DIP switch (3) configures the port for half-duplex (two-wire) RS-485 operation or full-duplex (four-wire) RS-422/RS-485 operation. Placing the bottom DIP switch in the RX ON position configures the port for four wire operation. In this mode the receiver is continuously enabled, allowing it to receive all data on the communications line. Since the transmitter sends data on the other wire pair the port does not receive its own transmissions.

Placing the bottom DIP switch in the RX \overline{SD} position configures the port for two wire operation. In this mode the transmitter and receiver are connected to the same wire pair. The receiver is disabled when its transmitter is sending, preventing the port from receiving its own data.

SETTING DIP SWITCHES ON RS-422/485 ONLY PORTS

The 3PCIOU4 Mport card provides a combination of RS-232/422/485 and RS-422/485 only ports. Ports that do not include RS-232 operation use double DIP switches rather than triple DIP switches. These DIP switches operate the same as the two bottom DIP switches in the RS232/422/485 ports.

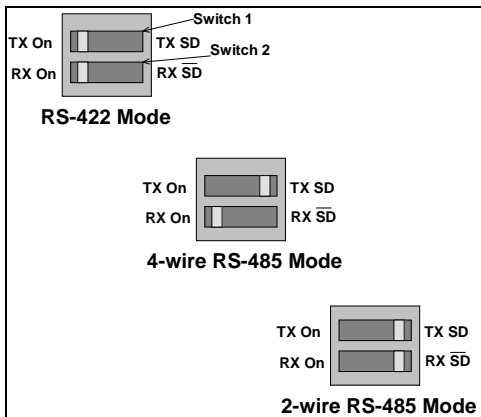


Figure 24: RS-422/485 Only DIP Switch Settings

DIP SWITCH 1 (RS-422/485 ONLY)

The top DIP switch (1) configures the port for RS-485 or RS-422 operation. For RS-422 operation (which uses two wire pairs and sends point-to-point or point-to-multi-points) the transmitter can be enabled all the time. Placing the middle DIP switch in the TX ON position accomplishes this.

For RS-485 operation the middle DIP switch is placed in the TX \overline{SD} position. In this position the transmitter is only enabled when data is being sent. The transmitter is tri-stated when not sending data, allowing other transmitters on the communications line to transmit without interference.

DIP Switch 2 (RS-422/485 only)

The bottom DIP switch (2) configures the port for half-duplex (two-wire) RS-485 operation or full-duplex (four-wire) RS-422/RS-485 operation. Placing the bottom DIP switch in the RX ON position configures the port for four wire operation. In this mode the port's receiver is continuously enabled, allowing it to receive all data on the communications line. Since the port's transmitter sends data on the other wire pair the port does not receive its own transmissions.

Placing the bottom DIP switch in the RX \overline{SD} position configures the port for two wire operation. In this mode the port's transmitter and receiver are connected to the same wire pair. The receiver is disabled when its transmitter is sending, preventing the port from receiving its own data.

APPENDIX B. CONNECTOR PINOUTS

RS-232 PINOUTS

Name	Description	Direction (DTE)	DB-9M Pin
DCD	Data Carrier Detect	Input	1
RD	Receive Data	Input	2
TD	Transmit Data	Output	3
DTR	Data Terminal Ready	Output	4
GND	Signal Ground	-----	5
DSR	Data Set Ready	Input	6
RTS	Request to Send	Output	7
CTS	Clear to Send	Input	8
RI	Ring Indicator	Input	9

Figure 25: RS-232 Signal Designations and DFB9 Pinouts

Signal Name	DB-9 Pin (DTE)	DB-25 Pin (DTE)
DCD	1	8
RD	2	3
TD	3	2
DTR	4	20
GND	5	7
DSR	6	6
RTS	7	4
CTS	8	5
RI	9	22
Chassis GND	Shield (DB-9 Shell)	1

Figure 26: RS-232 DB9 to DB25 Conversion Cable Pinouts

RS-422/485 PINOUTS

Name	Description	Direction	DB-9M Pin
RDA(-)	Receive Data A (-)	Input	1
TDB(+)	Transmit Data B (+)	Output	2
TDA(-)	Transmit Data A (-)	Output	3
GND	Signal Ground	-----	5
RDB(+)	Receive Data B (+)	Input	9

Figure 27. RS-422/485 Signal Designations and DB-9 Pinout

With 2-wire RS-485 mode operation, your connection cable must jumper TDA(-) to RDA(-) and TDB(+) to RDB(+). Connect from TDA(-) and TDB(+) to the Data A(-) and Data B(+) wires of your RS-485 network.

NOTE: For example connections, refer to Chapter 2.

Note that the EIA RS-422 Specification labels data lines with an "A" and "B" designator. Some RS-422 equipment uses a "-" and "+" designator. In almost all cases, the "A" line is the equivalent of the "-" line and the "B" line is the equivalent of the "+" line.

NOTE: For more information on RS-422 communications, refer to the "RS-422/485 Application Note" at www.advantech-bb.com

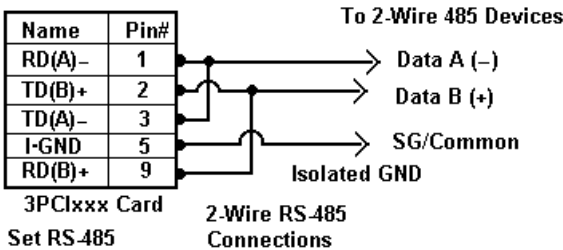


Figure 28. 2-Wire RS-485 Wiring Diagram

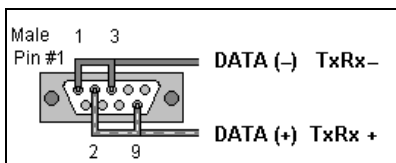


Figure 31. 2-Wire RS-485 Wiring

APPENDIX C. TROUBLESHOOTING WITH COMTEST

ComTest is a simple 32-bit Windows (Windows 98, 2000, 2003 Server, ME, XP, NT 4.0 and Vista) COM port test program included on the MIport CD. (It can also be downloaded from the B+B SmartWorx website at: www.advantech-bb.com. The program allows multiple ports at any address and IRQ, to be opened at any given time.

COMTEST FEATURES

- A Windows Terminal Program for Simple Checks of Serial Ports. Works with USB Serial Converters & ISA or PCI Serial Cards
- Serial Port Access under Windows 98/2000/2003 Server/XP/Vista – COM1-COM8 or above.
- Dual Windows show typed transmit characters in a separate window from received characters.
- Transmit & Receive Activity Indicators
- Unprintable Characters Shown in Hex – 2 Digits Within Left & Right Angle Brackets.
- Visual Indication of Handshaking Lines – DTR DSR DCD and RTS CTS. (Red = Hi)
- Option for Setting DTR or RTS lines high or low.
- Option for Repeat Mode – last character or Function Character Sequence is repeated until set off.
- Configuration Settings:
 - Baud Rates 150, 300, 600, 1200, 2400, 9600, 19.2, 28.4, 57.6, 115.2K (9600 default and recommended)
 - Parity: None, Odd, Even, Mark, Space (None default)
 - Data Bits: 5, 6, 7, 8 (8 default)
 - Stop Bits: 1, 1.5, 2 (1 default)

INSTALLING COMTEST

1. From Windows Explorer, under Windows, Programs, COMTest, find the setup.exe file on the MIport CD.

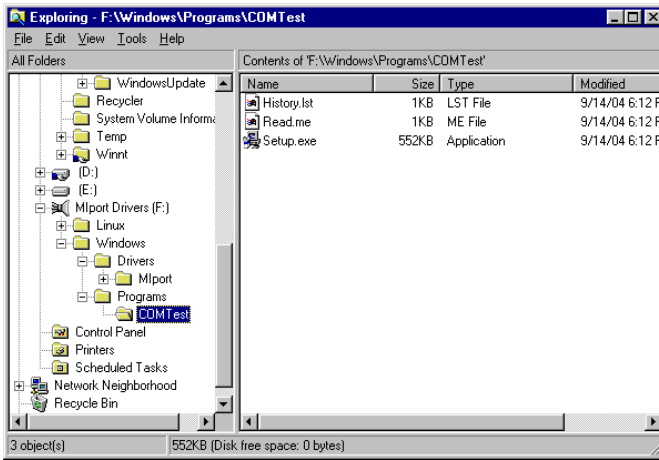


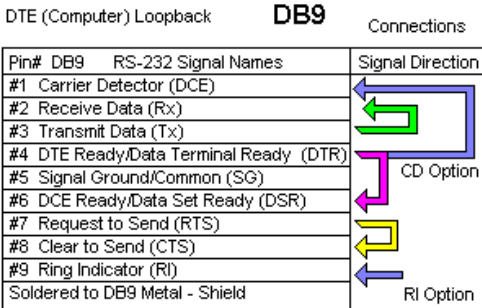
Figure 29. Loading ComTest

Run Setup.exe to install ComTest on your program menu under Advantech B+B SmartWorx.

LOOPBACK TESTING WITH COMTEST

1. To familiarize yourself with the operation of ComTest connect a loopback plug to a COM port on your PC and perform the following procedure:
2. Make any required loopback connections on the port to be tested.

RS-232 Loopback Connections



Note: CD & RI are inputs from Modem device - use DTR Connection

Figure 30. RS-232 Loopback with Handshaking Connections

3. From the Windows Desktop click Start → Programs → Advantech B+B SmartWorx → ComTest → ComTest.

4. ComTest will start and then open the **Select Port** dialog box.
5. Select the COM port you want to access or test. (The drop down box shows available ports that are not currently in use).
6. Click **OK**. The **Configure Port** dialog will appear.
7. Select the desired baud rate, parity, data bits, stop bits. (Defaults are common settings).
8. Type characters. They will appear in the upper window.
9. If you are performing a loopback test, you should see the characters appear in the lower window as they are received.
10. On the **Option** menu, click **DTR** to assert or de-assert the DTR hardware handshake line. The DTR indicator at the bottom of the window will be red when asserted.
11. If DTR is looped back to DSR and DCD their indicators should also be red.
12. On the **Option** menu, click **RTS** to assert or de-assert the RTS hardware handshake line. The RTS indicator at the bottom of the window will be red when asserted.
13. If RTS is looped back to CTS, the CTS indicator should be red.
14. When testing is completed, close the program.

ELECTROSTATIC DISCHARGE PRECAUTIONS

Electrostatic discharge (ESD) can cause damage to any product, add-in modules or stand-alone units, containing electronic components. Always observe the following precautions when installing or handling these kinds of products:

Do not remove unit from its protective packaging until ready to install.

Wear an ESD wrist grounding strap before handling any module or component. If the wrist strap is not available, maintain grounded contact with the system unit throughout any procedure requiring ESD protection.

Hold the units by the edges; do not touch the electronic components or gold connectors.

After removal, always place the boards on a grounded, static-free surface, ESD pad or in a proper ESD bag. Do not slide the modules or stand-alone units over any surface.



WARNING! Integrated circuits and fiber optic components are extremely susceptible to electrostatic discharge damage. Do not handle these components directly unless you are a qualified service technician and use tools and techniques that conform to accepted industry practices.