

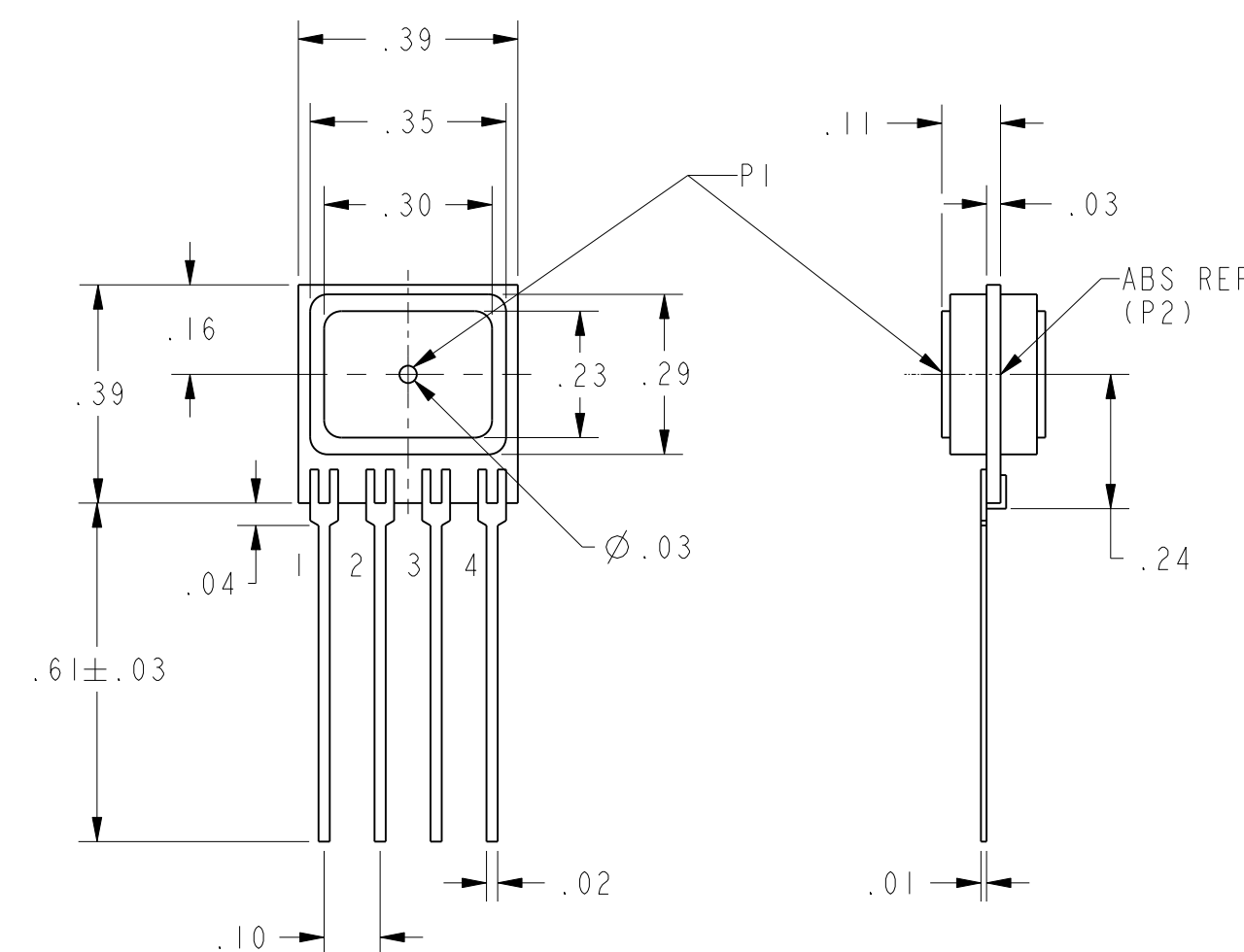
REV	DOCUMENT	CHANGED BY	CHECK
3	0033382	AB 30AUG07	CMH

CPC
DESIGNATES PRESSURE
 - NO DESIGNATION (PSI)
PRESSURE RANGE
 05, 15, 30,
 60, 100, 150 PSIA

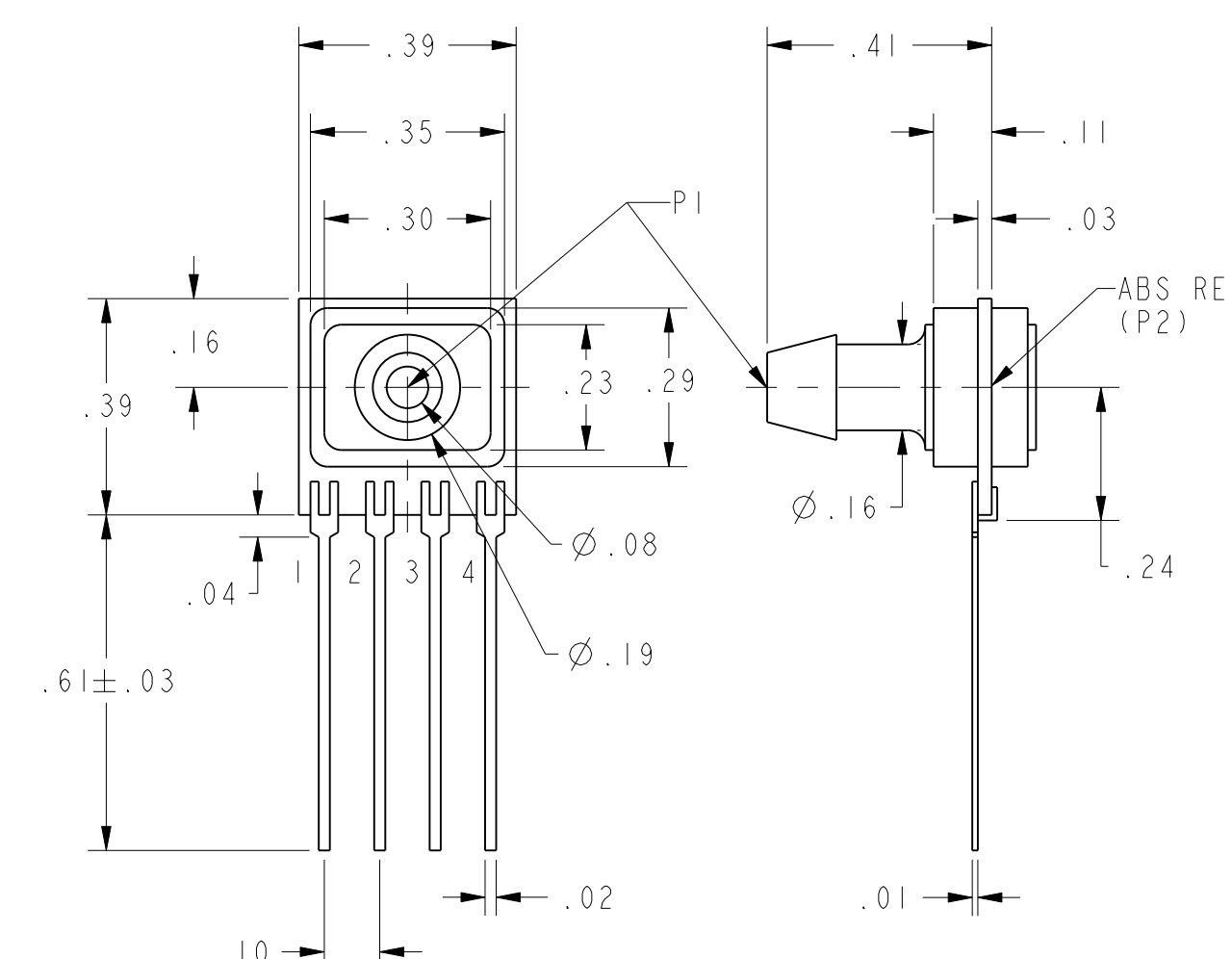
A
ACCURACY GRADE
C - COMMERCIAL GRADE
H - HIGH GRADE
PORT OPTION
F - AXIAL
 - NO PORT/O-RING SEAL
PRESSURE REFERENCE
A - ABSOLUTE

CATALOG LISTINGS
CPC15AC
CPC15AFH
CPC15AFC
CPC15AH
CPC30AFH
③
CPC60AH
CPC100AFC
CPC100AFH
②
CPC150AFH

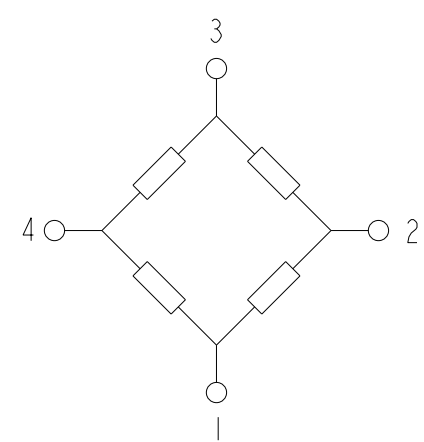
A - STYLE (ABSOLUTE)	PERFORMANCE AT 25°C AND 12±0.01 Vdc (UNLESS OTHERWISE STATED)							UNITS	FULL SCALE PRESSURE PSI	PROOF PRESSURE PSI	BURST PRESSURE PSI
	C-GRADE			H-GRADE							
	MIN	NOM	MAX	MIN	NOM	MAX					
NULL OFFSET (0 PSIA), ALL LISTINGS	-1	0	1	-0.5	0	0.5	mVdc				
5 PSIA SPAN (P1>P2)	57	60	63	59	60	61	mVdc	5	15	25	
15 PSIA SPAN (P1>P2)	85	90	95	89	90	91	mVdc	15	45	75	
30 PSIA SPAN (P1>P2)	85	90	95	89	90	91	mVdc	30	90	150	
60 PSIA SPAN (P1>P2)	85	90	95	89	90	91	mVdc	60	180	300	
100 PSIA SPAN (P1>P2)	95	100	105	99	100	101	mVdc	100	250	400	
150 PSIA SPAN (P1>P2)	85	90	95	89	90	91	mVdc	150	250	400	
NULL SHIFT OVER TEMPERATURE (0-25, 25-70 °C) ②	---	---	±1	---	---	±.5	mV				
SPAN SHIFT OVER TEMPERATURE (0-25, 25-70 °C) ②	---	---	±2	---	---	±1	% SPAN				
COMBINED LINEARITY AND HYSTERESIS ③	---	0.25	1	---	0.25	0.5	% SPAN				



A HOUSING



AF HOUSING



EQUIVALENT CIRCUIT

PIN OUT	
1	-V EXCITATION
2	+ OUTPUT SIGNAL
3	+ V EXCITATION
4	- OUTPUT SIGNAL

GENERAL OPERATING CHARACTERISTICS	ALL PRESSURES AND GRADES			UNITS
	MIN	NOM	MAX	
EXCITATION VOLTAGE	3	12	16	Vdc
SUPPLY CURRENT	---	---	3.5	mA
INPUT RESISTANCE	5	---	---	K-OHMS
OUTPUT RESISTANCE	---	3	---	K-OHMS
OPERATING TEMPERATURE	-25	---	85	°C
STORAGE TEMPERATURE	-40	---	125	°C

- NOTES
- 1 - SPAN IS THE ALGEBRAIC DIFFERENCE BETWEEN THE OUPUT AT FULL SCALE PRESSURE AND THE OFFSET OUTPUT
 - ② TEMPERATURE ERROR IS CALCULATED WITH RESPECT TO 25°C
 - ③ LINEARITY IS MEASURED AT 1/2 FULL SCALE PRESSURE USING BEST STRAIGHT LINE FIT
 - 4 - THE OUTPUT OF THE SENSOR IS PROPORTIONAL, RATIOMETRIC, TO THE EXCITATION VOLTAGE. THE EXCITATION MAY VARY BETWEEN 3 TO 16 Vdc. ALL SPECIFICATIONS WILL NOMINALLY BE CHANGED BY THE RATIO OF $V_{EXCITATION}/12.0$ Vdc
 - 5 - LIMIT SOLDERING TO 315°C FOR LESS THAN 10 SECONDS
 - 6 - PIN 1 IS IDENTIFIED BY THE DOT ON THE HOUSING AS SHOWN ON THE VARIOUS DRAWINGS
 - 7 - APPLY PRESSURE TO PORT INDICATED ON THE DRAWINGS SHOWN
 - 8 - SENSORS ARE OPERATIONAL OVER VACUUM PRESSURE RANGE
 - 9 - INPUT MEDIA RESTRICTED TO DRY GASES ONLY

UNLESS OTHERWISE SPECIFIED TOLERANCES ARE:	<input checked="" type="checkbox"/> US (inch) CUSTOMARY	<input type="checkbox"/> SI (mm) METRIC	DRAWN	TRF	02APRO1	Honeywell		
NO PLACE	X	±.040 ±1	CHECK	SAV	02APRO1			
ONE PLACE	.X	±.030 ±0,4	THIS DRAWING COVERS A PROPRIETARY ITEM AND IS THE PROPERTY OF HONEYWELL. THIS DRAWING IS NOT TO BE COPIED OR USED WITHOUT THE PERMISSION OF HONEYWELL.			TITLE		
TWO PLACE	.XX	±.015 ±0,15				PRESSURE SENSOR		
THREE PLACE	.XXX	±.005 ±				SIZE	DWG TYPE	DRAWING NAME
ANGLES	±	±				C	I	CPC ABS SERIES CHART 1
RAW MATERIAL-COMMERCIAL STANDARD	±	±	3D PTC	ASME Y14.5M-1994	SCALE	3:1		
THIRD ANGLE PROJECTION			DIMENSIONS ARE TO BE MET BEFORE PROTECTIVE COATINGS ARE APPLIED			REVISION		
			WEIGHT			SHEET 1 OF 1		