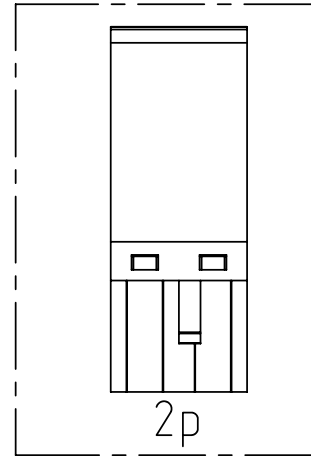
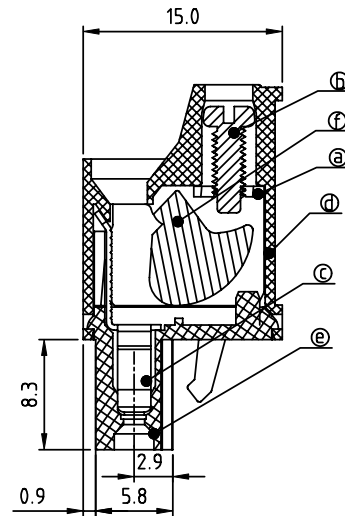
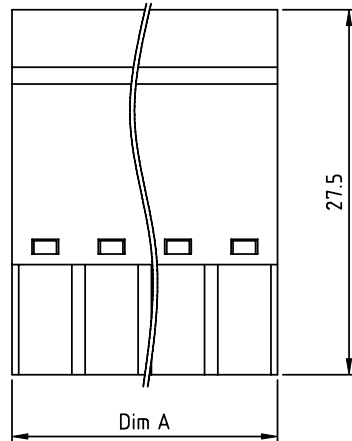
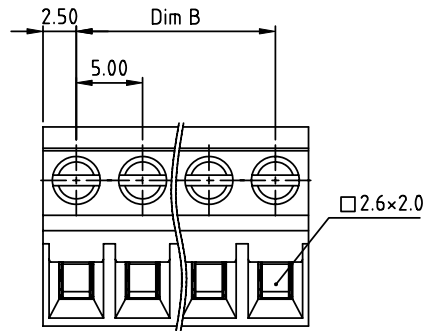


| | |
|----------------|---------|
| PRODUCT NUMBER | PITCH |
| VMxx75x000J0G | 5.00 mm |



Material:

- Item (a) Clamp: Steel zinc plated.
- Item (b) Terminal screw: Steel Zinc plating "-" slot type
- Item (c) Female contact: High conductivity copper Tin plated
- Item (d) Terminal (top body): Thermoplastic (UL94V-0)
- Item (e) Terminal (bottom body): Thermoplastic (UL94V-0)
- Item (f) Clampage: Steel Zinc plated

Electrical cULus/TUV

- Voltage rating: 300VAC/300VAC
- Current rating: 20A/20A
- Wire range: 0.34-2.5mm²
- Solid wire(AWG): 12-22
- Stranded wire(AWG): 12-22
- Torque: 3.5Lb-In / 0.4Nm
- Screw: M2.5
- Wire strip length: 8-9mm
- Withstanding Voltage: 1.6KV/2.5KV
- Operating temperature: -40°C to +115°C
- Safety approval:

PART NO.: VM xx 75 x 0 00J 0 G

N=NUMBER OF POLES

Dim A=(N-1)×5.00+5.00
Dim B=(N-1)×5.00

| POLES | Tolerance |
|---------|-----------|
| 2P-6P | ±0.20 |
| 7P-12P | ±0.25 |
| 13P-18P | ±0.30 |
| 19P-24P | ±0.40 |

| Solid block | No. of poles | Color | RoHS compliant (lead<4%) In copper Alloy |
|-------------|--------------|-------------------|---|
| 0 | 2 | Black (RAL9005) | |
| 02 | 2 poles | Red (RAL3001/D) | |
| 03 | 3 poles | Orange(RAL2011/P) | |
| 4 | 4 | Yellow(RAL1018/A) | |
| 5 | 5 | Green(RAL6018/T) | |
| 6 | 6 | Blue (RAL5015/A) | |
| 8 | 8 | Grey(RAL7035/D) | |
| 9 | 9 | White(RAL1102) | |
| C | 24 poles | Green(RAL6018/U) | |

| | | | | | |
|--------------------|----------------|---------------------------------------|----------------------|------------|-------------------------------|
| mat'l. code | | surface ASME Y14.5 | tolerance ASME Y14.5 | projection | product family |
| ltr ecn no dr date | | tolerances unless otherwise specified | | | TERMINAL BLOCK |
| | | angles | X.±0.5 | MM | title |
| | | X*±1" | X.X±0.3 | scale | TERMINAL BLOCK |
| | | dr | EVIN ZHONG 042114 | | PLUGGABLE PLUG,WITHOUT FLANGE |
| | | enrg | EVIN ZHONG 042114 | | dwg no |
| | | chr | HANKE FENG 042114 | | sheet 1 of 1 |
| | | appd | SHI JUN 042114 | | size |
| sheet index | revision sheet | A | 1 | | type |
| | | | | | CUSTOMER Drawing |