

Laika-3 TRIPLE lenses for SSC P3 & P4



- Designed for Seoul Semiconductor P4 series of white and monochrome LEDs
- Lens material optical grade PMMA with high UV and temperature resistance (min 105°C)
- Sub lens available for medium light distribution, preassembled to main lens
- No lens holder. Fastening to heat sink with droplets of glue
- High optical efficiency, >85%
- Diameter 50 mm (MR16)
- Mechanical CAD models available upon request

LENS TYPES

NAME	ORDERING CODE	FWHM Angle, P4
Laika-3 spot	C10257_Laika-3-S	±5°
Laika-3 medium	CA10370_Laika-3-M	±14°
Laika-3 wide	C10363_Laika-3-W	±26°



LAIKA-3-S



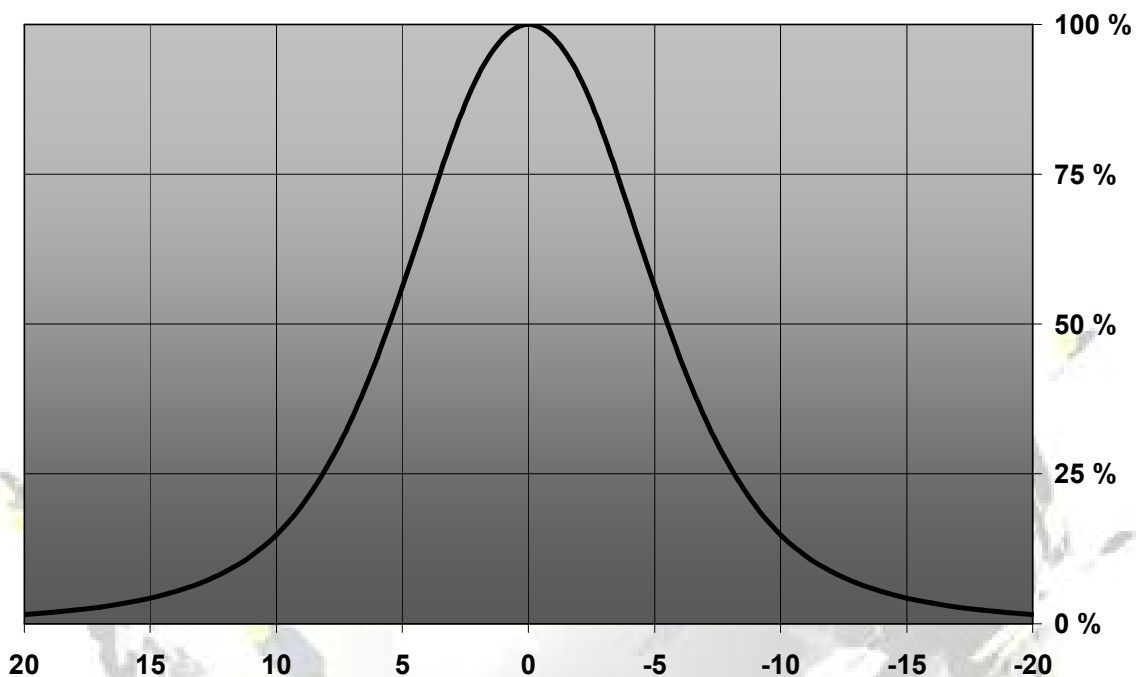
LAIKA-3-M



LAIKA-3-W

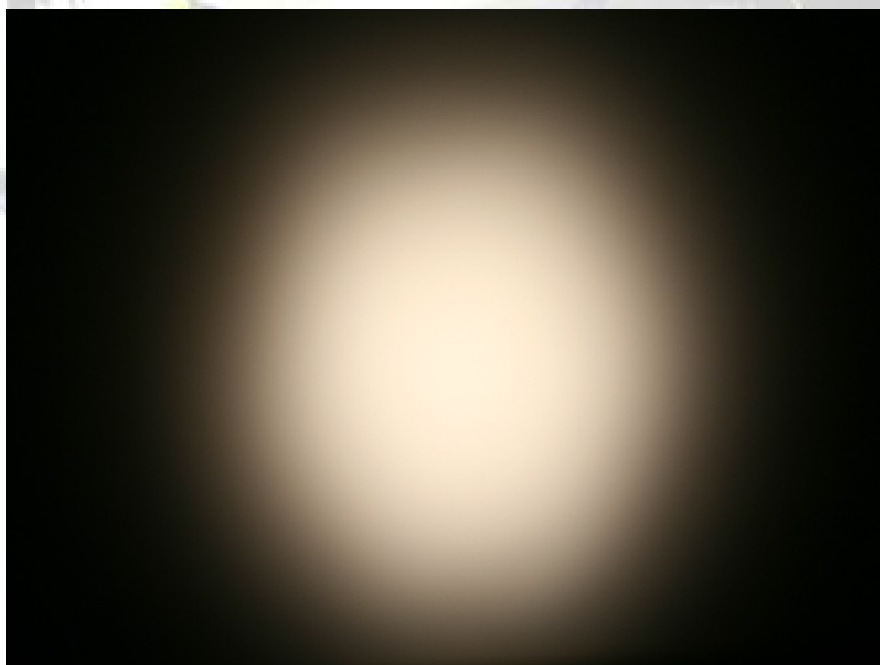
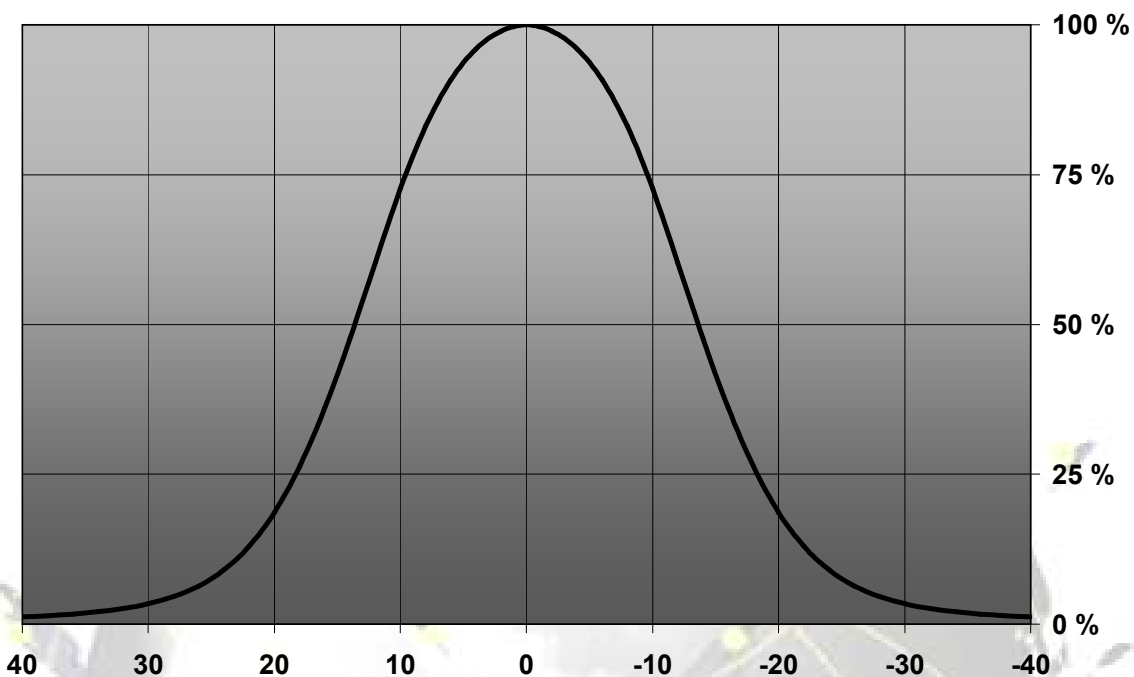
MEASUREMENT DATA & PHOTOGRAPHS

Relative Intensity of C10257_Laika-3-S



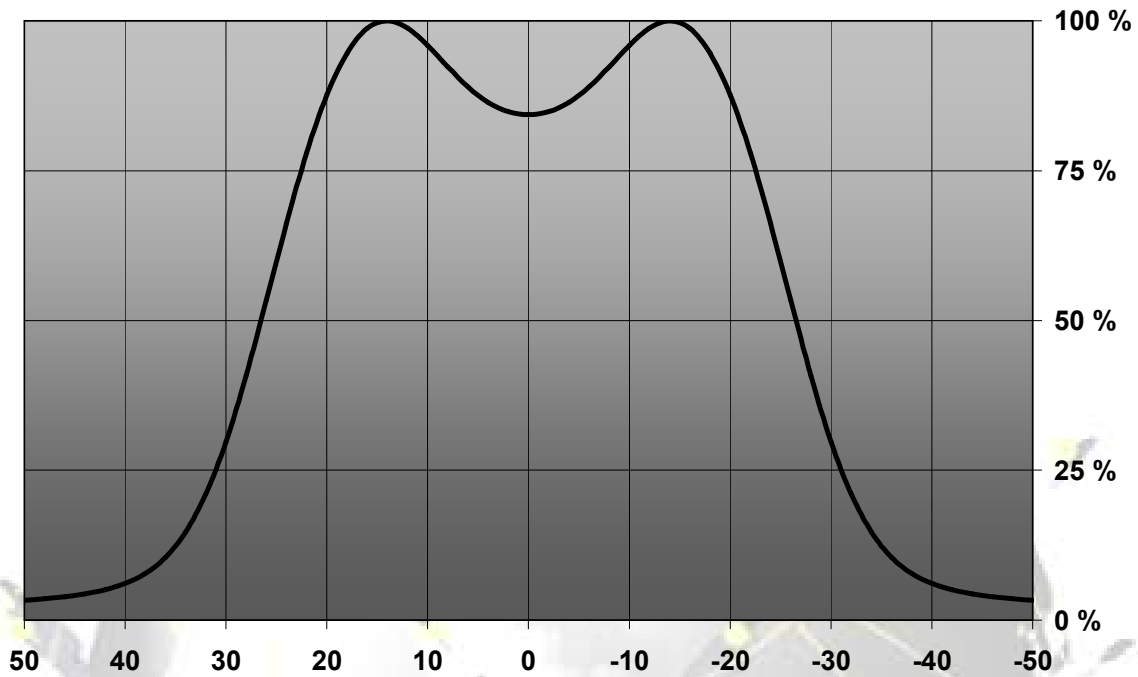
© Ledil Oy – PRELIMINARY - Subject to change without prior notice

Relative Intensity of CA10370_Laika-3-M



© Ledil Oy – PRELIMINARY - Subject to change without prior notice

Relative Intensity of C10363_Laika-3-W

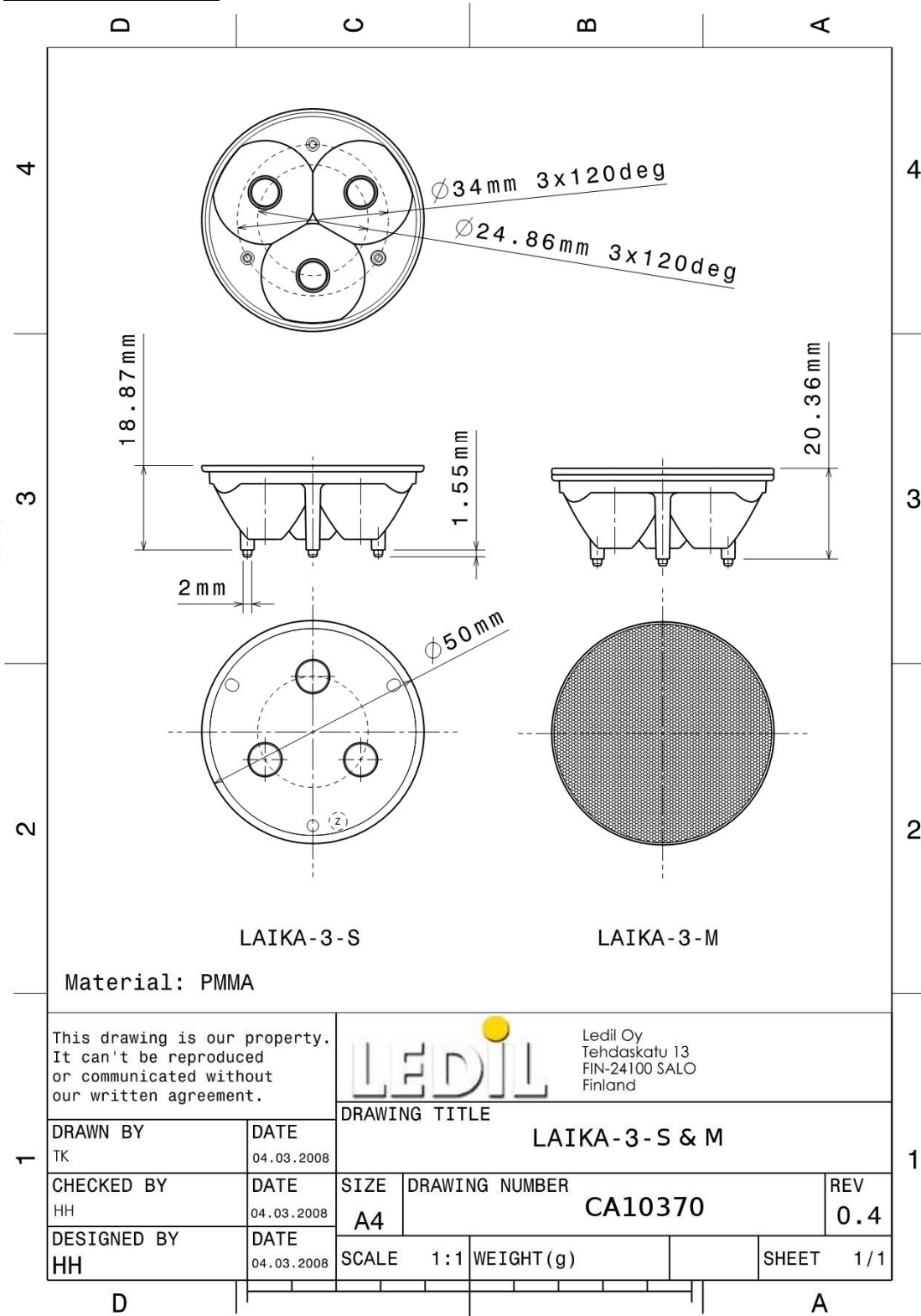


PACKAGING

Lenses are packed in carton boxes of 264 pieces in each box.

© Ledil Oy – PRELIMINARY - Subject to change without prior notice

DRAWINGS



© Ledil Oy - PRELIMINARY - Subject to change without prior notice