

Rev 0.1 10/12

- The Class-D ToolStick kit contains the following:
- Class-D ToolStick board
- 2 x mini USB cables
- 1 x male-to-male stereo cable
- 1 x 1 W speaker
- 2 x cylinder cutouts
- 1 x 1 W speaker
- 2 x cylinder cutouts
- Class-D ToolStick Quick Start Guide (this document)

The Class-D ToolStick demonstrates direct-drive Class-D amplification using the SIM3U1xx high drive I/O. The kit demonstrates the integrated USB 2.0 full-speed transceiver, internal oscillator and phase-locked loop (PLL), up to 300 mA high-drive I/O, dual SAR ADCs, enhanced programmable counter array (FPCA), and capacitive sensing.

## CLASS-D TOOLSTICK KIT QUICK-START GUIDE



### EVALUATION BOARD/KIT IMPORTANT NOTICE

Silicon Laboratories Inc. and its affiliated companies ("Silicon Labs") provides the enclosed evaluation board/kit to the user ("User") under the following conditions:

This evaluation board/kit ("EVB/Kit") is intended for use for ENGINEERING DEVELOPMENT, TESTING, DEMONSTRATION, OR EVALUATION PURPOSES ONLY and is not a finished end-product fit for general consumer use. ANY OTHER USE, RESALE, OR REDISTRIBUTION FOR ANY OTHER PURPOSE IS STRICTLY PROHIBITED. This EVB/Kit is not intended to be complete in terms of required design-, marketing-, and/or manufacturing-related protective considerations, including product safety and environmental measures typically found in end products that incorporate such semiconductor components or circuit boards. As such, persons handling this EVB/Kit must have electronics training and observe good engineering practice standards. As a prototype not available for commercial reasons, this EVB/Kit does not fall within the scope of the European Union directives regarding electromagnetic compatibility, restricted substances (RoHS), recycling (WEEE), FCC, CE or UL, and therefore may not meet the technical requirements of these directives or other related directives.

Should this EVB/Kit not meet the specifications indicated in the User's Guide, the EVB/Kit may be returned within 30 days from the date of delivery for a full refund. THE FOREGOING WARRANTY IS THE EXCLUSIVE WARRANTY MADE BY SILICON LABS TO USER, IS USER'S SOLE REMEDY, AND IS IN LIEU OF ALL OTHER WARRANTIES, EXPRESSED, IMPLIED, OR STATUTORY, INCLUDING ANY WARRANTY OF MERCHANTABILITY, NONINFRINGEMENT, DESIGN, WORKMANSHIP, OR FITNESS FOR ANY PARTICULAR PURPOSE.

User assumes all responsibility and liability for proper and safe handling of the EVB/Kit. Further, User indemnifies Silicon Labs from all claims arising from User's handling or use of the EVB/Kit. Due to the open construction of the EVB/Kit, it is User's responsibility to take any and all appropriate precautions with regard to electrostatic discharge.

EXCEPT TO THE EXTENT OF THE INDEMNITY SET FORTH ABOVE, NEITHER PARTY SHALL BE LIABLE TO THE OTHER FOR ANY INDIRECT, SPECIAL, INCIDENTAL, OR CONSEQUENTIAL DAMAGES.

Neither Silicon Labs nor User is obligated to perform any activities or conduct any business as a consequence of using the EVB/Kit, and neither party is entitled to any form of exclusivity with respect to the EVB/Kit.

Silicon Labs assumes no liability for applications assistance, customer product design, software performance, or infringement of patents or services described herein.

Please read the User's Guide and, specifically, the Warnings and Restrictions notice in the User's Guide prior to handling the EVB/Kit. This notice contains important safety information about temperatures and voltages. For additional environmental and/or safety information, please contact a Silicon Labs application engineer or visit [www.silabs.com/support/quality](http://www.silabs.com/support/quality).

No license is granted under any patent right or other intellectual property right of Silicon Labs covering or relating to any machine, process, or combination in which the EVB/Kit or any of its components might be or are used.

User's use of this EVB/Kit is conditioned upon acceptance of the foregoing conditions. If User is unwilling to accept these conditions, User may request a refund and return the EVB/Kit to Silicon Labs in its original condition, unopened, with the original packaging and all documentation to:

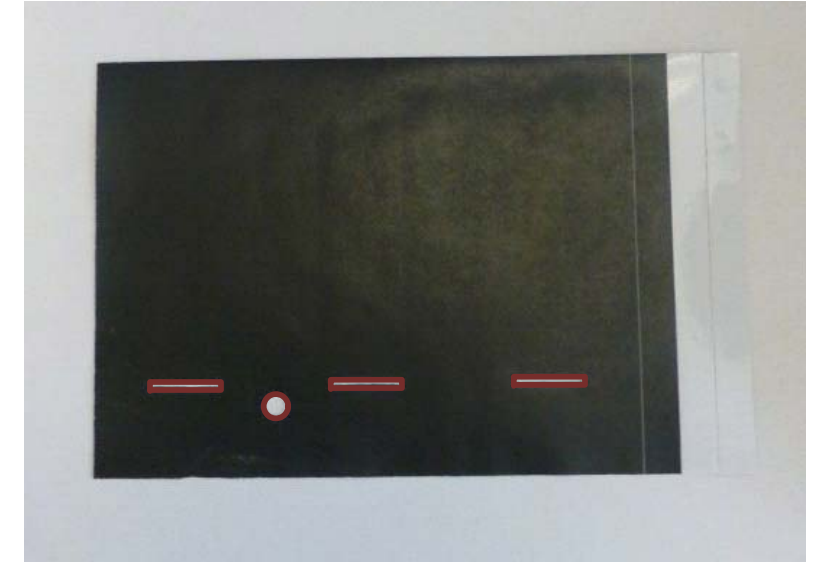
Mailing Address:  
400 W. Cesar Chavez  
Austin, TX 78701

## A. Creating the Speaker Housing

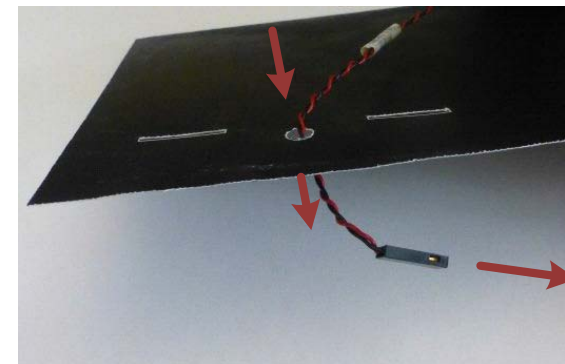
- 1 To assemble the speaker housing, use one cylinder cutout and the speaker. The second cylinder cutout is extra in case it's needed.



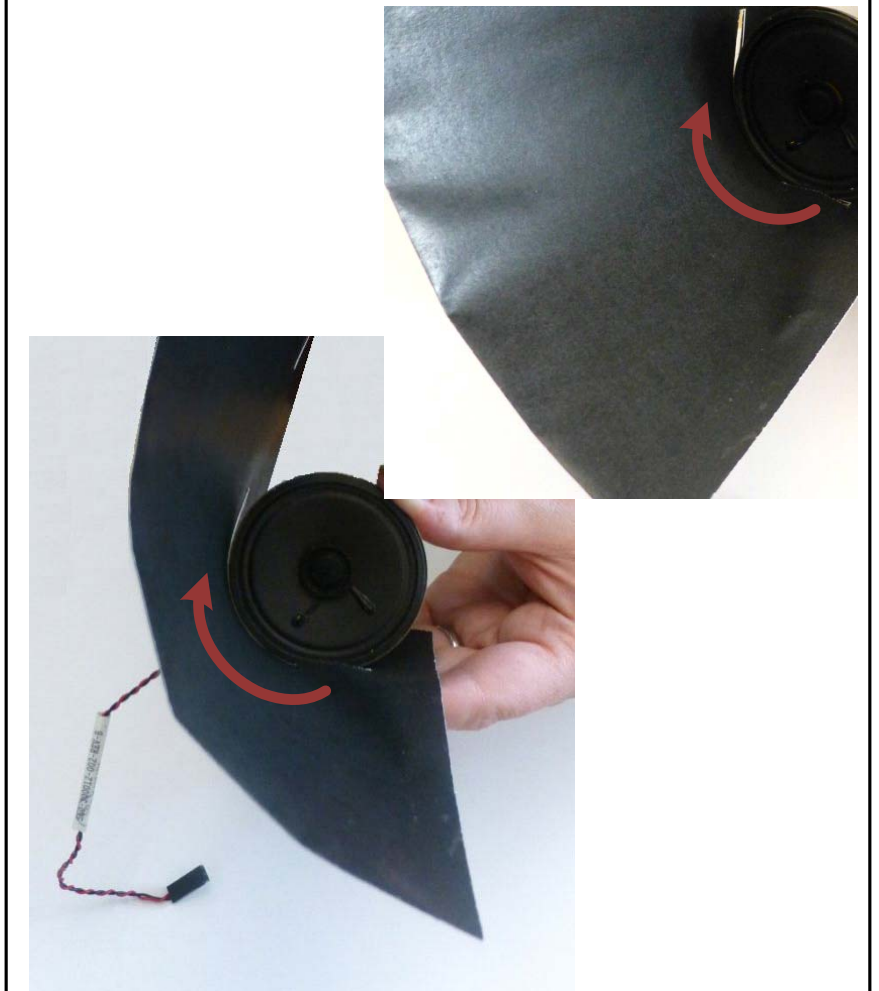
- 2 Pop out all of the tabs in the cylinder cutout.

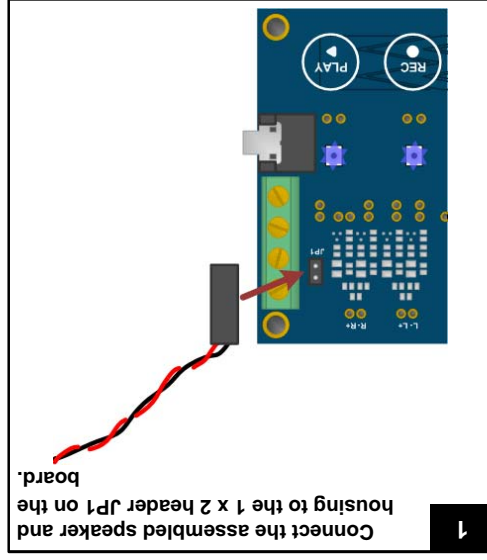


- 3 With the solid black side facing up, push the speaker cable through the round hole and pull it through.

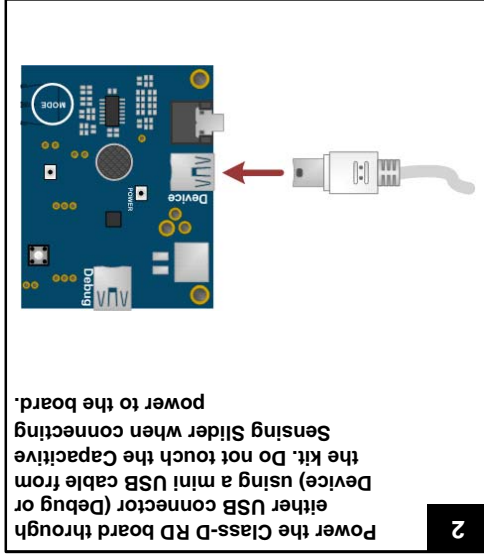


- 4 Place the edges of the speaker in the small rectangular tabs and roll the cylinder around the speaker.

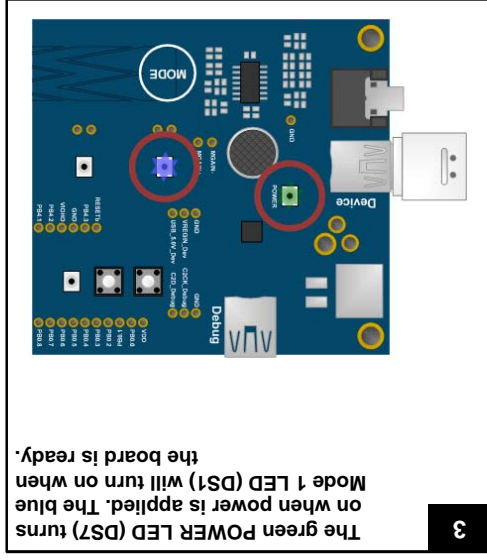




1 Connect the assembled speaker and housing to the 1 x 2 header JF1 on the board.



2 Power the Class-D RD board through either USB connector (Debug or Device) using a mini USB cable from the kit. Do not touch the Capacitive Sensing Slider when connecting power to the board.



3 The green POWER LED (DS7) turns on when power is applied. The blue Mode 1 LED (DS1) will turn on when the board is ready.

## B. Using the Demo



7 The speaker housing is now complete.



5 Pull the edge without the adhesive strips in as tightly as possible. It should line up with or go past the white line printed inside the cylinder.



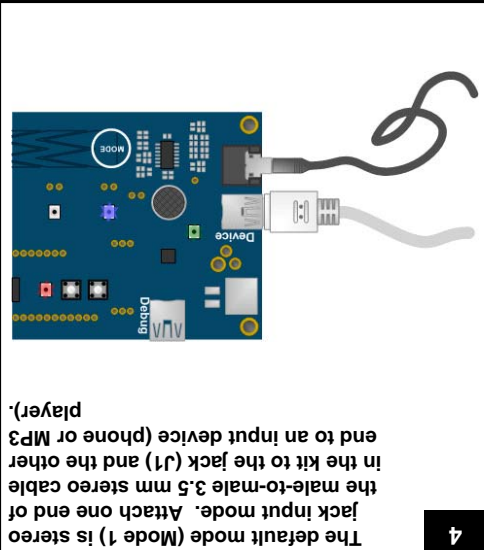
6 Peel off the backing from the adhesive strips on the outside flap and stick the outside flap down. Press firmly to ensure a good hold.



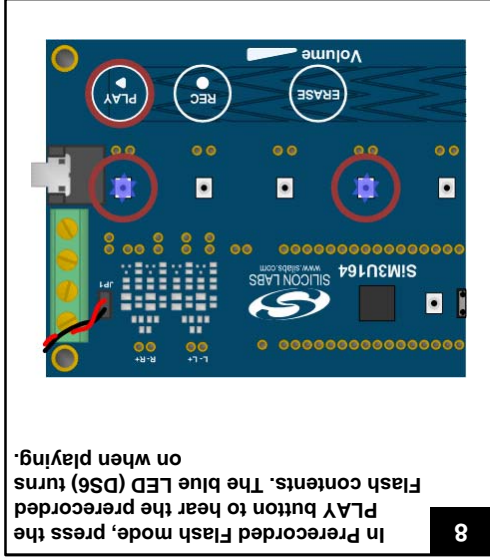
## C. Relevant Documentation



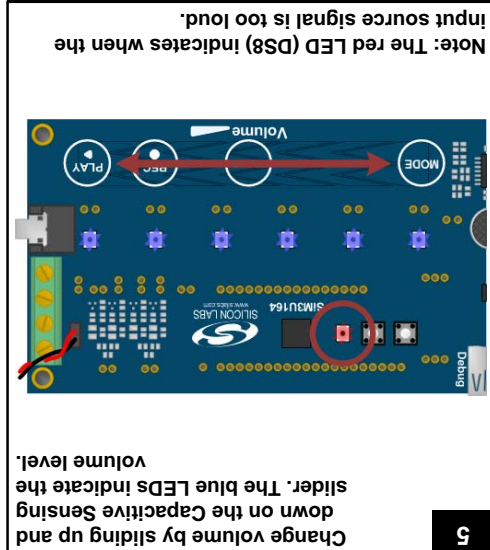
7 In USB mode, connect the Device USB connector to the PC using the mini USB cable, if it's not already connected. Ensure the device appears in Device Manager. Play or record music using software. Note: Mode changing is disabled while a sound recording program is open. Check volumes in the System Mixer and in the application.



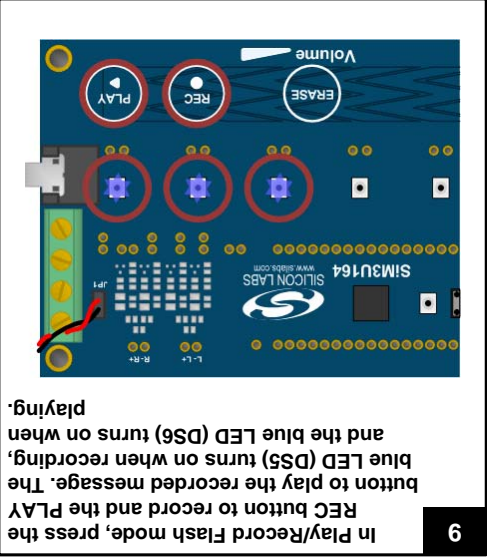
4 The default mode (Mode 1) is stereo jack input mode. Attach one end of the male-to-male 3.5 mm stereo cable in the kit to the jack (J1) and the other end to an input device (phone or MP3 player).



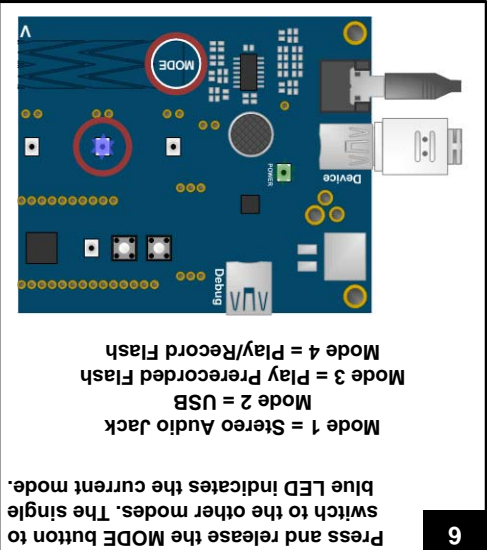
8 In Pre-recorded Flash mode, press the PLAY button to hear the pre-recorded Flash contents. The blue LED (DS6) turns on when playing.



5 Change volume by sliding up and down on the Capacitive Sensing slider. The blue LEDs indicate the volume level. Note: The red LED (DS8) indicates when the input source signal is too loud.



9 In Play/Record Flash mode, press the REC button to record and the PLAY button to play the recorded message. The blue LED (DS5) turns on when recording, and the blue LED (DS6) turns on when playing.



6 Press and release the MODE button to switch to the other modes. The single blue LED indicates the current mode. Mode 1 = Stereo Audio Jack  
Mode 2 = USB  
Mode 3 = Play Pre-recorded Flash  
Mode 4 = Play/Record Flash

- Application Notes: [www.silabs.com/appnotes](http://www.silabs.com/appnotes)
- AN726: Class-D Toolstick User's Guide
  - AN670: Getting Started with the Silicon Labs Precision32 AppBuilder
  - AN667: Getting Started with the Silicon Labs Precision32 IDE
  - AN664: Precision32 CMSIS and HAL User's Guide
  - AN672: Precision32 s132Library Overview
- Download the Precision32 software: <http://www.silabs.com/32bit-software>
- Class-D Toolstick Landing Page: <http://www.silabs.com/toolstickclassd>
- SIM3U1xx Datasheet: <http://www.silabs.com/Support%20Documents/TechnicalDocs/SIM3U1xx.pdf>
- SIM3U1xx Reference Manual: [http://www.silabs.com/Support%20Documents/TechnicalDocs/SIM3U1xx\\_-SIM3C1xx\\_RM.pdf](http://www.silabs.com/Support%20Documents/TechnicalDocs/SIM3U1xx_-SIM3C1xx_RM.pdf)
- MCU Knowledge Base: [www.silabs.com/Support%20Documents/Technical Docs](http://www.silabs.com/Support%20Documents/TechnicalDocs/SIM3U1xx_-SIM3C1xx_RM.pdf)
- Contact an Applications Engineer: [www.silabs.com/Support](http://www.silabs.com/Support)→Support→Knowledge Base
- Contact Technical Support: [www.silabs.com/Support](http://www.silabs.com/Support)→Support→Contact Technical Support
- Quality Documents: [www.silabs.com/Support](http://www.silabs.com/Support)
- [www.silabs.com/quality](http://www.silabs.com/quality)