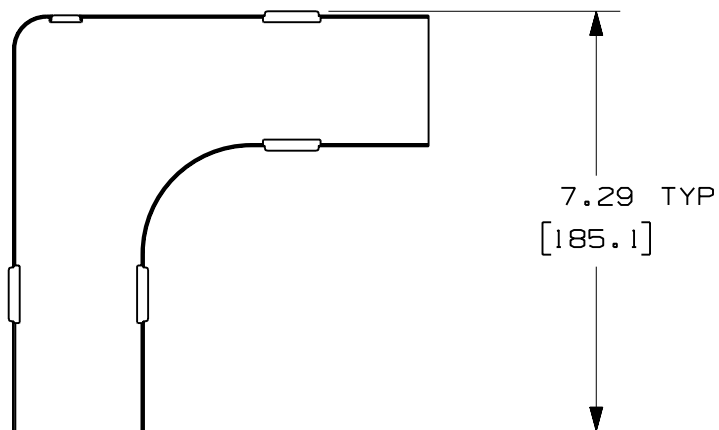


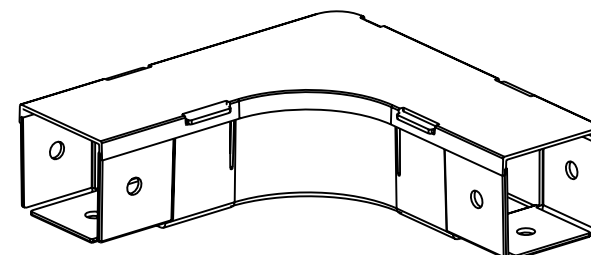
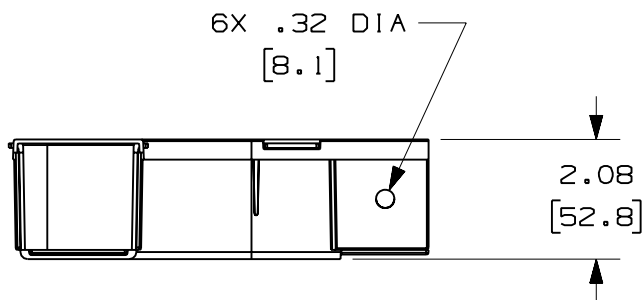
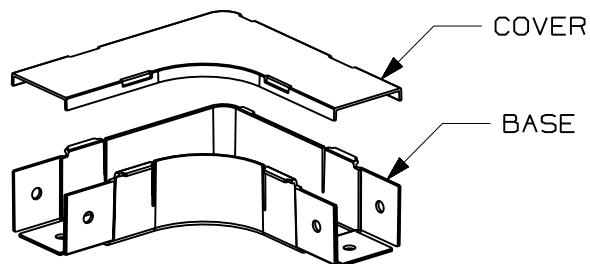


PANDUIT PART NUMBER	WEIGHT
FRA2X2	0.34 LB/EACH (152g/EACH)



**H** NOTES:

1. SEE CURRENT CATALOG FOR ADDITIONAL PART SUFFIXES TO INDICATE COLOR AND/OR PACKAGE QUANTITY.
2. THE FIBER-DUCT 2x2 AND FIBERRUNNER 2x2 HORIZONTAL RIGHT ANGLE FITTING IS DESIGNED WITH A MINIMUM 2" (50.8) BEND RADIUS TO PROTECT FIBER OPTIC CABLES.
3. DIMENSIONS IN PARENTHESES ARE IN METRIC.



ENG. REF.: D35245CD\_DC\_FRA2X2\_03.prt

CAD FILENAME/LAYERS **D** FRA2X2.pdf

**PANDUIT** CORP TINLEY PARK, ILLINOIS  
 FIBER-DUCT 2x2 AND FIBERRUNNER 2x2  
 HORIZONTAL RIGHT ANGLE FITTING (FRA2X2)  
**E** CUSTOMER DRAWING

UNLESS OTHERWISE SPECIFIED, DIMENSIONAL TOLERANCES ARE: (.X) ± (.XXX) ± (.XX) ± .03 (.8) ANGLES ±		UNLESS OTHERWISE SPECIFIED, ALL DIMENSIONS ARE GIVEN IN INCHES, THIRD ANGLE PROJECTION.	
DRAWN BY JBA	MAT'L: ABS	SCALE NONE	DWG A
DATE 5-20-97	CHK'D HIW	DRAWING NO. 35245-30	SIZE A

REV	DATE	BY	CHK	DESCRIPTION	ECN	R	CUST	SUP	GMBH
-	-----	---	---	H. REVISED GENERAL NOTES. G. REVISED PART WEIGHT.	-----	--	--		
-	-----	---	---	F. REVISED MATERIAL. E. REVISED DRAWING TITLE.	-----	--	--		
3	12-28-06	MSO	RN	D. REVISED CAD FILENAME. C. REVISED AND REDRAWN.	35245-30	RN	RN		