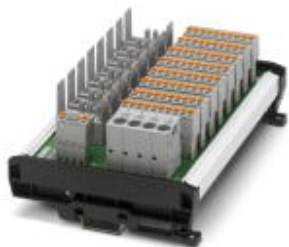


Potential distributors - CBB TM 08 2X4RC P-PT - 2801482

Please be informed that the data shown in this PDF Document is generated from our Online Catalog. Please find the complete data in the user's documentation. Our General Terms of Use for Downloads are valid (<http://phoenixcontact.com/download>)



Device circuit breaker boards for eight CB TM1... thermomagnetic circuit breakers with group remote signaling, central supply, and potential distribution for up to five loads per channel.



Key Commercial Data

| | |
|--------------|---------------|
| Packing unit | 1 STK |
| GTIN | |
| GTIN | 4046356782326 |

Technical data

Dimensions

| | |
|--------|----------|
| Height | 127.8 mm |
| Width | 185.5 mm |
| Depth | 70.8 mm |

Ambient conditions

| | |
|---|---|
| Ambient temperature (operation) | -30 °C ... 60 °C (at In 60 A) |
| Ambient temperature (storage/transport) | -30 °C ... 80 °C |
| Degree of protection | IP20 (Terminal blocks and fuse holders) |
| | IP00 (PCB) |

General

| | |
|--|---|
| Flammability rating according to UL 94 | V0 |
| Mounting type | DIN rail: 35 mm |
| Number of positions | 8 |
| Overvoltage category_GRP | II |
| Protection class | III |
| Degree of pollution | 2 |
| Type | DIN rail module, two-section, divisible |

Potential distributors - CBB TM 08 2X4RC P-PT - 2801482

Technical data

Electrical data

| | |
|---|---|
| Rated voltage main circuit | 24 V DC |
| Rated current main circuit | 60 A DC (total) |
| | 12 A DC (per channel) |
| Rated voltage remote indication circuit | 24 V DC |
| Rated current remote indication circuit | 1 A DC |
| Rated insulation voltage U_i | 50 V DC |
| Rated surge voltage | 0.5 kV |
| Short circuit stability | 600 A (conditional according to DIN EN 50178) |
| Power dissipation | 4.9 W (with even load on outputs with I_n) |
| Insertion/withdrawal cycles | 50 |

Connection data

| | |
|---------------------------------------|----------------------|
| Connection name | Supply X21 |
| Connection method | Push-in connection |
| Stripping length | 18 mm |
| Conductor cross section flexible min. | 0.75 mm ² |
| Conductor cross section flexible max. | 16 mm ² |
| Conductor cross section solid min. | 0.75 mm ² |
| Conductor cross section solid max. | 16 mm ² |
| Conductor cross section AWG min. | 20 |
| Conductor cross section AWG max. | 4 |
| Connection name | Outputs X1 ... X8 |
| Connection method | Push-in connection |
| Stripping length | 10 mm |
| Conductor cross section flexible min. | 0.2 mm ² |
| Conductor cross section flexible max. | 2.5 mm ² |
| Conductor cross section solid min. | 0.2 mm ² |
| Conductor cross section solid max. | 2.5 mm ² |
| Conductor cross section AWG min. | 24 |
| Conductor cross section AWG max. | 12 |
| Connection name | Remote signaling X31 |
| Connection method | Push-in connection |
| Stripping length | 10 mm |
| Conductor cross section flexible min. | 0.2 mm ² |
| Conductor cross section flexible max. | 2.5 mm ² |
| Conductor cross section solid min. | 0.2 mm ² |
| Conductor cross section solid max. | 2.5 mm ² |
| Conductor cross section AWG min. | 24 |
| Conductor cross section AWG max. | 12 |

Standards and Regulations

| | |
|--------------------------|-------------------|
| Standards/specifications | DIN EN 50178 1997 |
|--------------------------|-------------------|

Potential distributors - CBB TM 08 2X4RC P-PT - 2801482

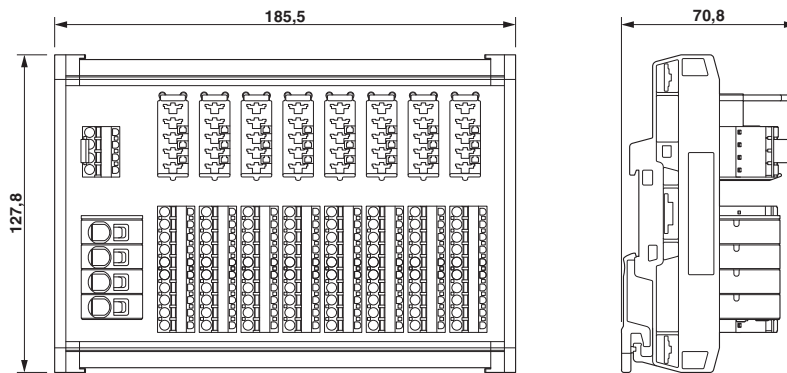
Technical data

Environmental Product Compliance

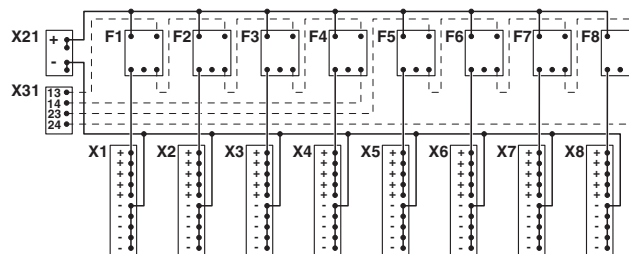
| | |
|------------|---|
| China RoHS | Environmentally Friendly Use Period = 50 |
| | For details about hazardous substances go to tab "Downloads", Category "Manufacturer's declaration" |

Drawings

Dimensional drawing

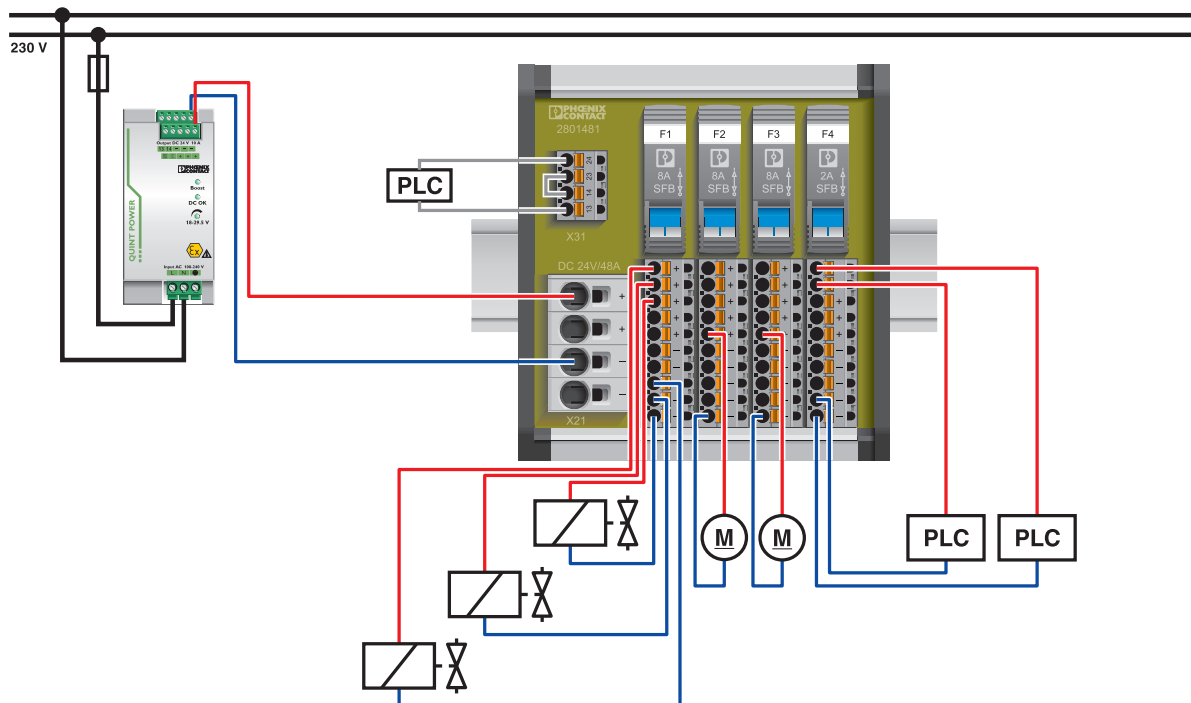


Circuit diagram



Potential distributors - CBB TM 08 2X4RC P-PT - 2801482

Application drawing



Approvals

Approvals

Approvals

EAC / EAC / EAC

Ex Approvals


Approval details

| | | |
|-----|--|---------------|
| EAC | | EAC-Zulassung |
|-----|--|---------------|

Potential distributors - CBB TM 08 2X4RC P-PT - 2801482

Approvals

| | | |
|-----|---|-------------------------|
| EAC |  | RU C- DE.A*30.B01561 |
|-----|---|-------------------------|

| | | |
|-----|---|-------------------------|
| EAC |  | RU C- DE.A*30.B01546 |
|-----|---|-------------------------|

Phoenix Contact 2018 © - all rights reserved
<http://www.phoenixcontact.com>

PHOENIX CONTACT GmbH & Co. KG
Flachsmarktstr. 8
32825 Blomberg
Germany
Tel. +49 5235 300
Fax +49 5235 3 41200
<http://www.phoenixcontact.com>