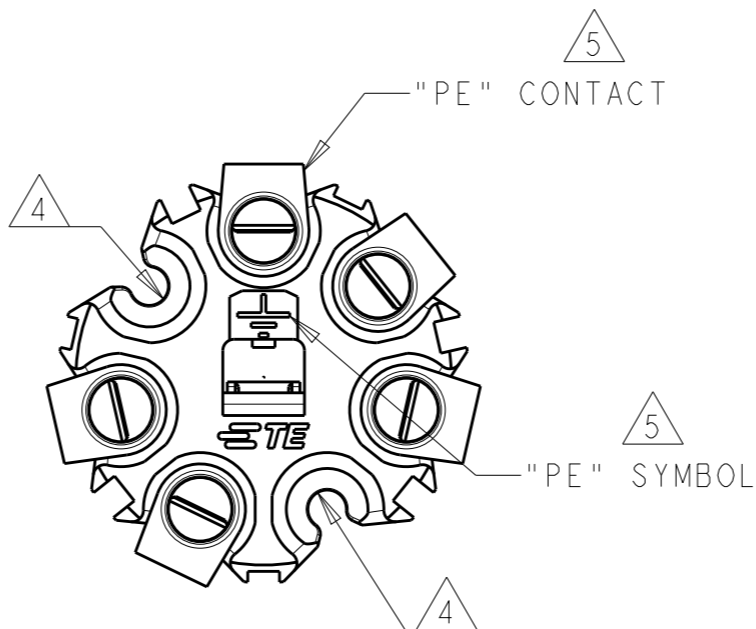
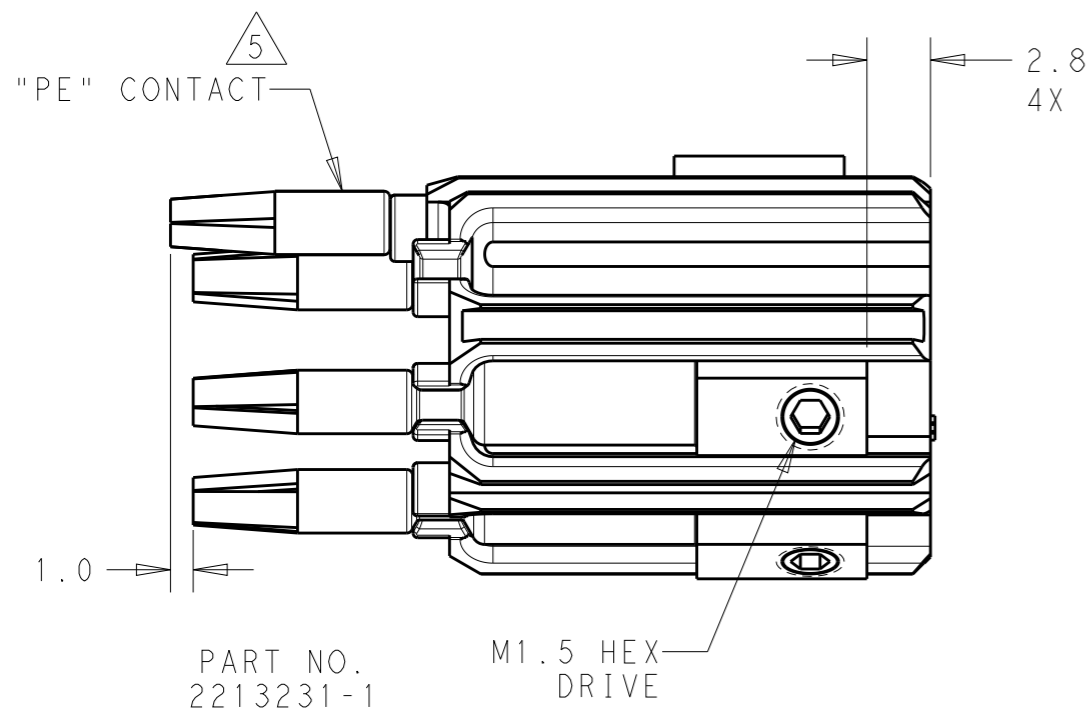


THIS DRAWING IS UNPUBLISHED. RELEASED FOR PUBLICATION 20
 © COPYRIGHT 20 BY - ALL RIGHTS RESERVED.

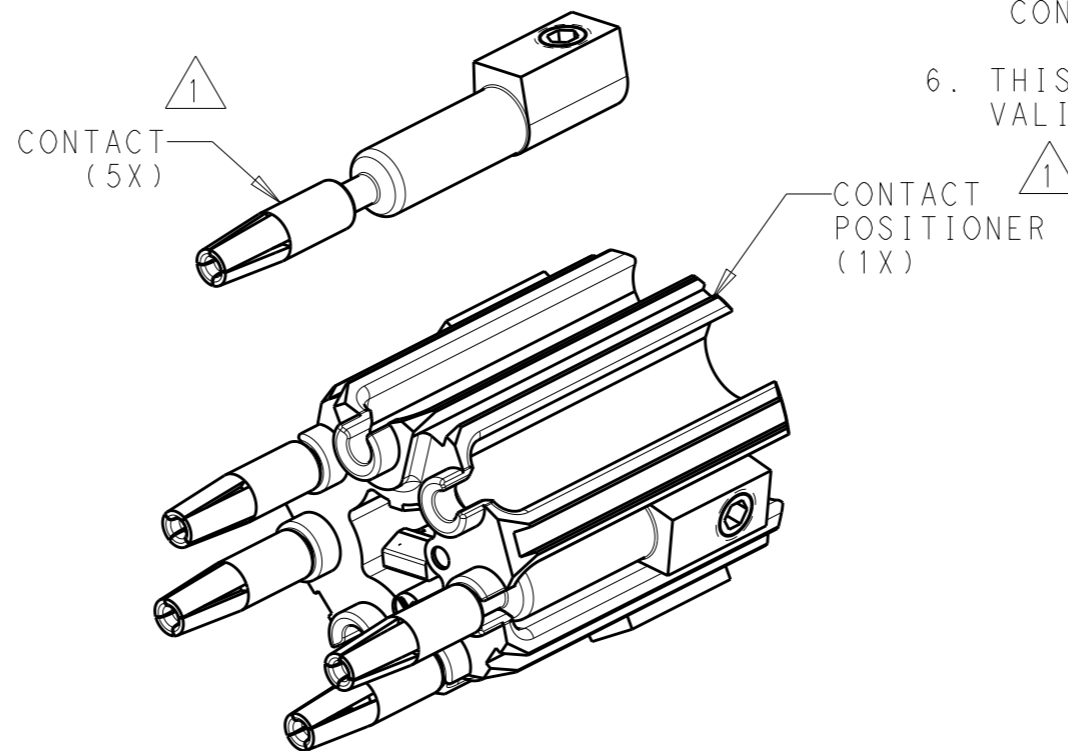
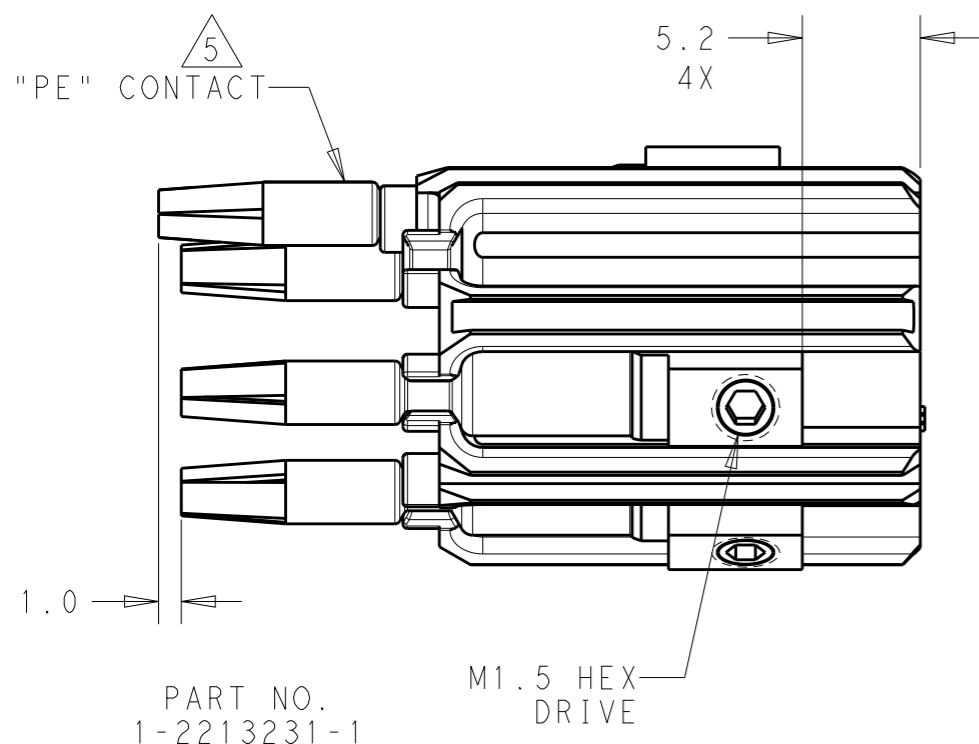
REVISIONS

P	LTR	DESCRIPTION	DATE	DWN	APVD
	A	REVISED AS PER ECR-15-005925	21APR2015	RS	JL
	A1	REVISED AS PER ECR-15-011749	10AUG2015	RS	JL




NOTES:

- 1 MATERIALS:
 CONTACTS: COPPER ALLOY, TIN PLATE
 CONTACT POSITIONER: GLASS FILLED PBT, COLOR BLACK
- 2. MUST COMPLY WITH DIRECTIVE 2002/95/EC (ROHS)
- 3. CONTACTS (5X) ARE PRE-ASSEMBLED INTO CONTACT POSITIONER AS SHOWN.
- 4 CONTACTS ARE NOT INSTALLED INTO THE INDICATED CONTACT SLOTS
- 5 "PE" SYMBOL ALIGNS WITH "PE" CONTACT AS SHOWN
- 6. THIS PRODUCT HAS NOT COMPLETED VALIDATION TESTING



IEC(DEKRA)	1-2213231-1
UL	2213231-1
AGENCY APPROVALS	PART NO.

THIS DRAWING IS A CONTROLLED DOCUMENT.		DWN J. SHAFFER 16 JAN 2014	 TE Connectivity	NAME SCREW TERMINAL SOCKET CONTACTS ASSY, 5 POSN, NECTOR M-LINE, SEALED
DIMENSIONS: mm		CHK M. LUKSIC 16 JAN 2014		
TOLERANCES UNLESS OTHERWISE SPECIFIED:		APVD M. LUKSIC 16 JAN 2014		
0 PLC ±- 1 PLC ±0.2 2 PLC ±0.13 3 PLC ±- 4 PLC ±- ANGLES ±-		PRODUCT SPEC 108-133014		
MATERIAL NOTE 1		FINISH -	APPLICATION SPEC 114-32111	RESTRICTED TO -
		Customer Drawing	WEIGHT -	SCALE 1:1
			SIZE A3	SHEET 1 OF 1
			CAGE CODE -	REV A1
			DRAWING NO. C-2213231	