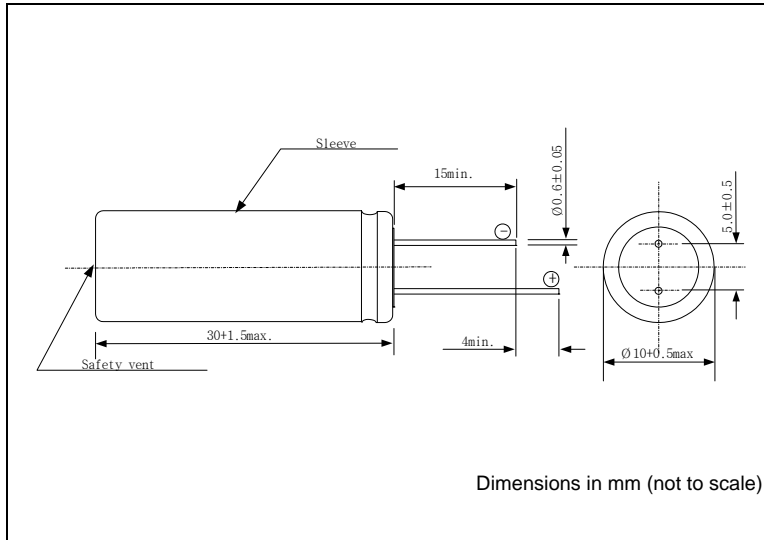


NESSCAP 20F/2.3V

PSHLR-0020C0-002R3

■ Features

- Cylindrical cell
- Radial lead terminals



■ Specifications

Rated Capacitance, C (DCC⁽¹⁾, 25°C)	20 Farads	(1) Discharging with constant current
Capacitance Tolerance	-10% / +20%	
Rated Voltage, V_R	2.3 V	
Surge Voltage	2.5 V	
Rated Current (25°C)	0.016 A	About 30 min discharge rate from 2.3V to 0.9V
Max. Current-continuous (25°C)	0.5 A	40sec discharge current from V_R to 0.5 V_R
Max. Stored Energy (at V_R)	52.9J (0.0147Wh)	
Specific Energy	Gravimetric	3.7 Wh/kg
	Volumetric	6.2 Wh/l
Specific Power⁽²⁾ (at matched load)	Gravimetric	6.6 kW/kg
	Volumetric	11.0 kW/l
Maximum Internal Resistance (ESR)	AC (1kHz)	40 mΩ
	DC (1.8A)	55 mΩ
Dimensions	φ10 x / 30 mm	
Volume	2.4 ml	
Weight	4.0 g	
Operating temperature range⁽³⁾	-25 ~ 60 °C	(3) ΔC < 30% and ESR < 5 times of initially measured value at 25°C, respectively
Storage temperature range	-30 ~ 70 °C	
Max. Leakage Current, L_C(12h, 25°C)	300 μA	
Life Time at RT⁽⁴⁾	10 years	(4) ΔC < 30% and ESR < three times of initially measured value, respectively and LC < specified value
Cycle Life (25°C)^{(4), (5)}	100,000 cycles	(5) 1 cycle: charging to V_R for 40s, constant voltage charging for 10s, discharging to 1/2V_R for 40s, rest for 10s

© NESSCAP 2003. All Rights reserved. Design, Specifications are subject to change without notice.