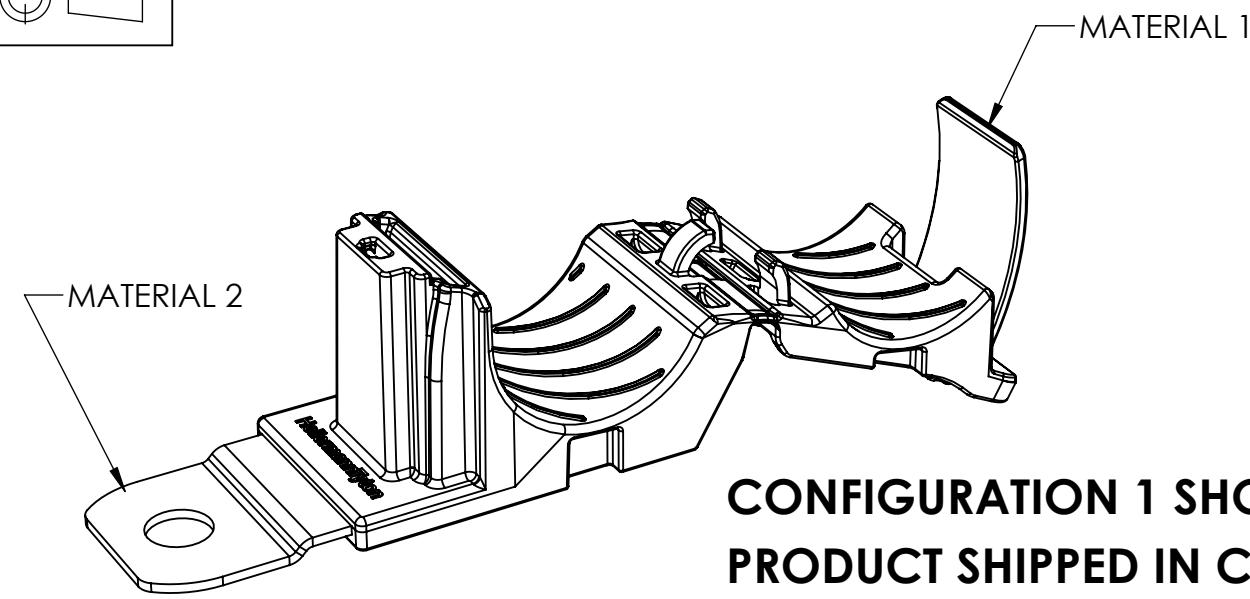
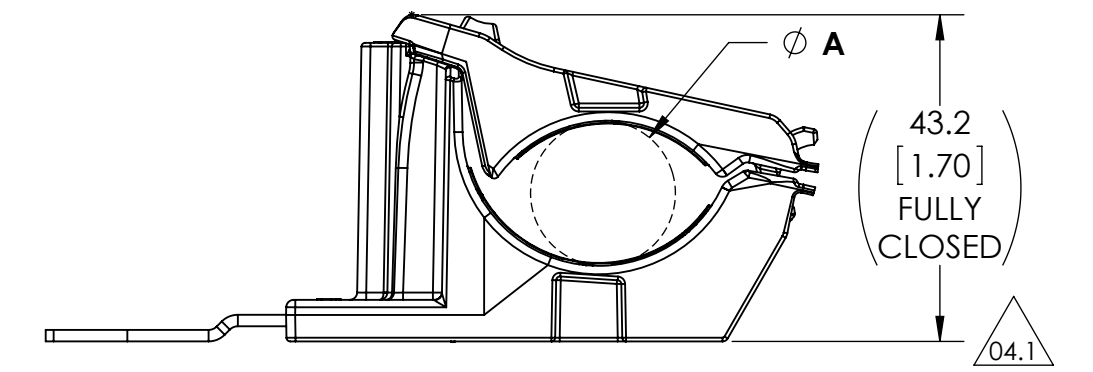


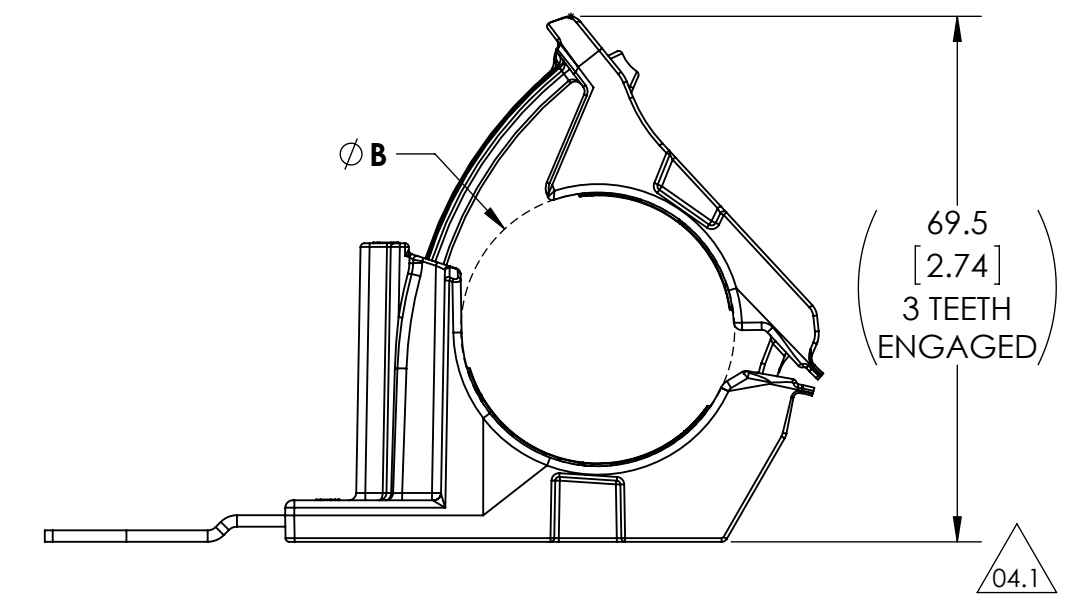
Revision level			Revision Record	Changed	Date	Approved	Date
Drawing	State	Part					
04.1	Design Release	A	SEE ECN# 013325	KEP	3/25/2016	MHT	3/25/2016



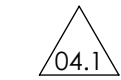
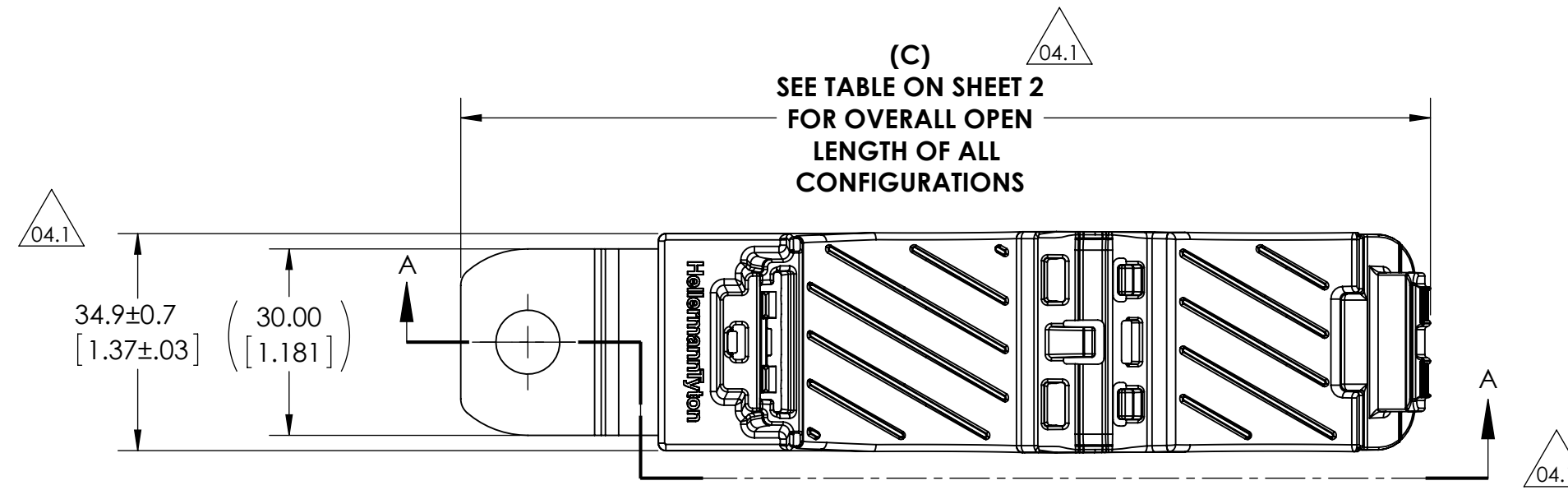
**CONFIGURATION 1 SHOWN
PRODUCT SHIPPED IN CLAMP OPEN POSITION**



MINIMUM BUNDLE DIAMETER



MAXIMUM BUNDLE DIAMETER



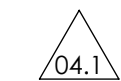
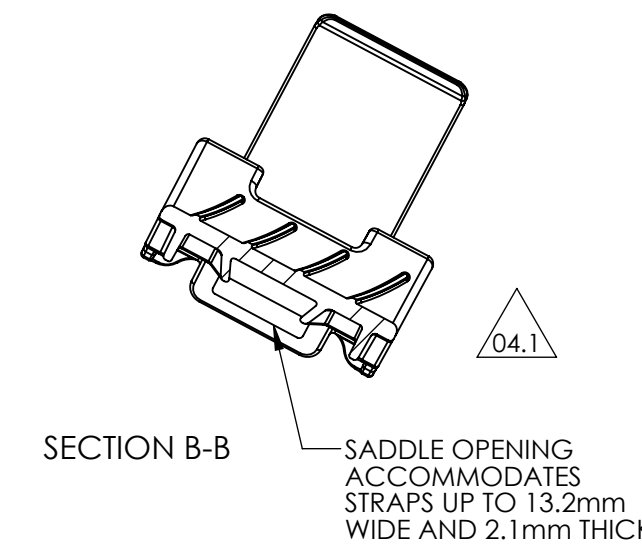
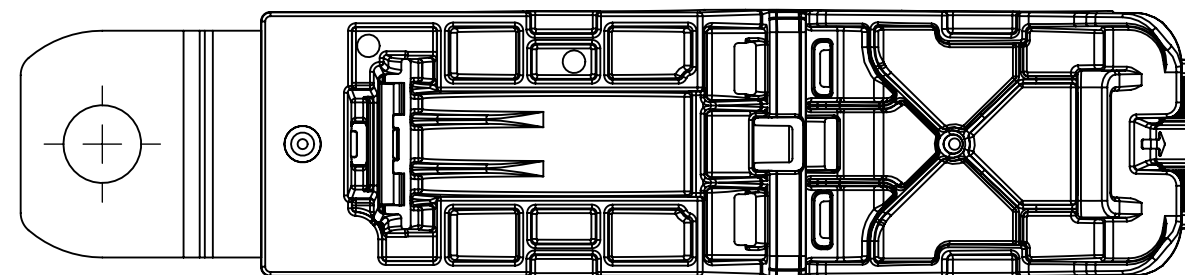
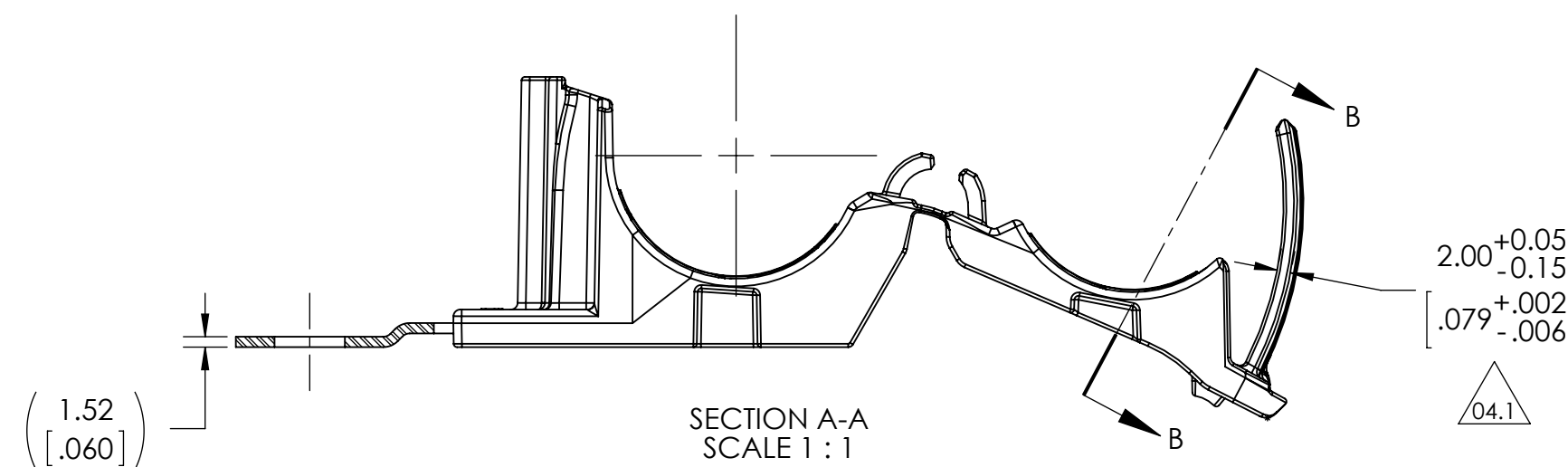
INITIAL MOLD VALIDATION:

1. ITS-0003 RATCHET P CLAMP SOLID MANDREL TEST: EXCEEDED 445 NEWTONS (100 LBS) MIN AT A NOMINAL BUNDLE DIAMETER OF 25.40 [1.000] TESTING ONLY REQUIRED OF CONFIGURATION *RCC180SM10, *RCC180LM10, AND *RCC90LM10 *TESTING CAN BE SUBSTITUTED WITH M6, M8, M12 VERSION MOUNTING HOLES

2. ITS-0008 CLOSE AND RELEASE TEST: EXCEEDED 445 NEWTONS (100 LBS) MIN AT A NOMINAL BUNDLE DIAMETER OF 25.40 [1.000] AFTER CLOSING AND RELEASING 40 TIMES

3. ITS-0014 LOW TEMPERATURE HINGE TEST: NO DAMAGE OCCURED AFTER BENDING LIVING HINGE 40 TIMES AT -40°C

NOTE: TESTING #2 AND #3 CAN BE DONE ON ANY TYPE NUMBER AND WILL APPLY TO ALL OTHER TYPE NUMBERS IN THE TABLE ON SHEET 2



PERFORMANCE REQUIREMENTS:

DRY AS MOLDED WITH ≤ 0.5% MOISTURE CONTENT:

4. ITS-0001 RATCHET P CLAMP SPLIT MANDREL TEST: 445 NEWTONS (100 LBS) MIN AT A NOMINAL BUNDLE DIAMETER OF 25.40 [1.000]

NOTE: TESTING CAN BE DONE ON ANY TYPE NUMBER AND WILL APPLY TO ALL OTHER TYPE NUMBERS IN THE TABLE ON SHEET 2

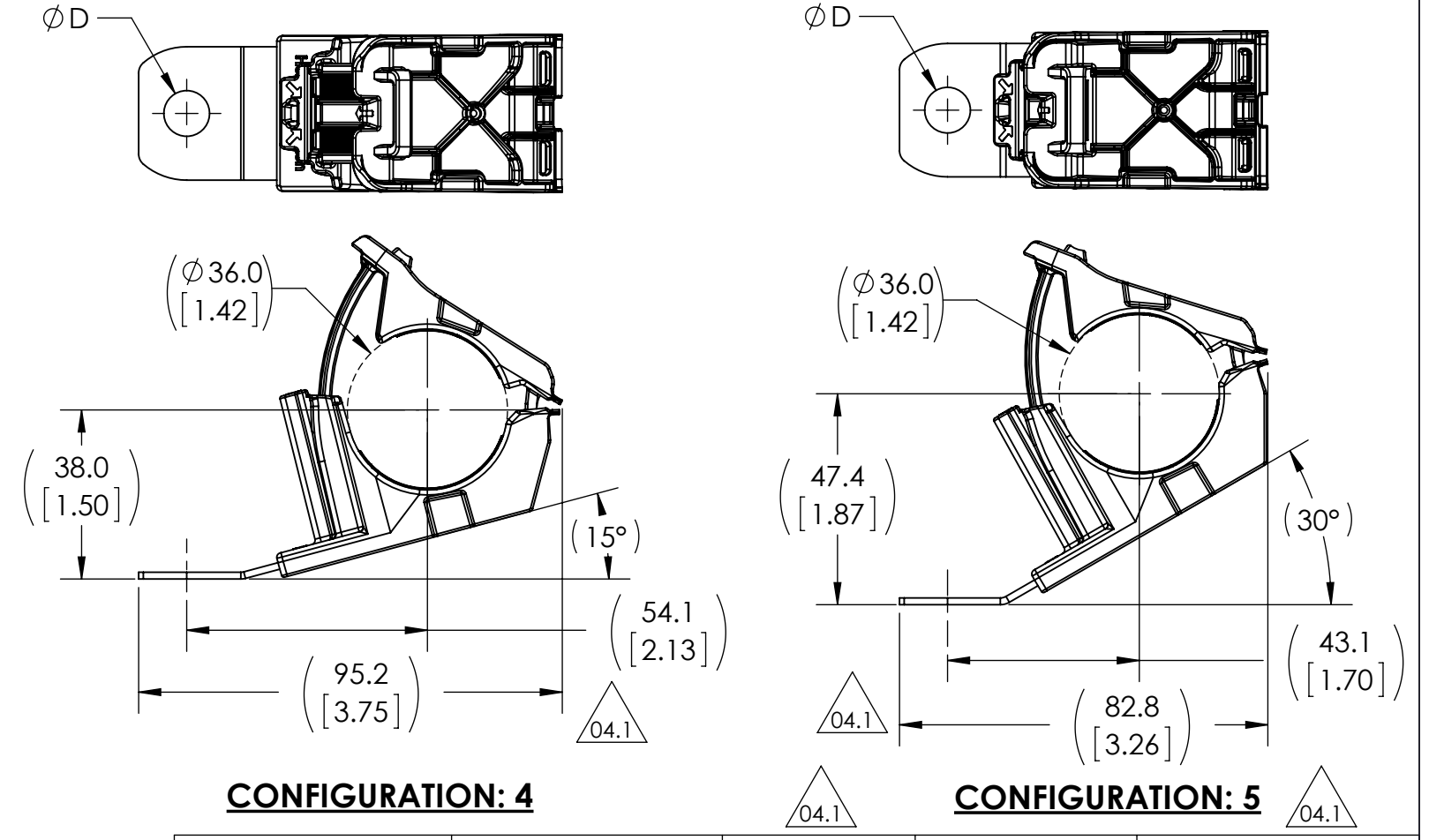
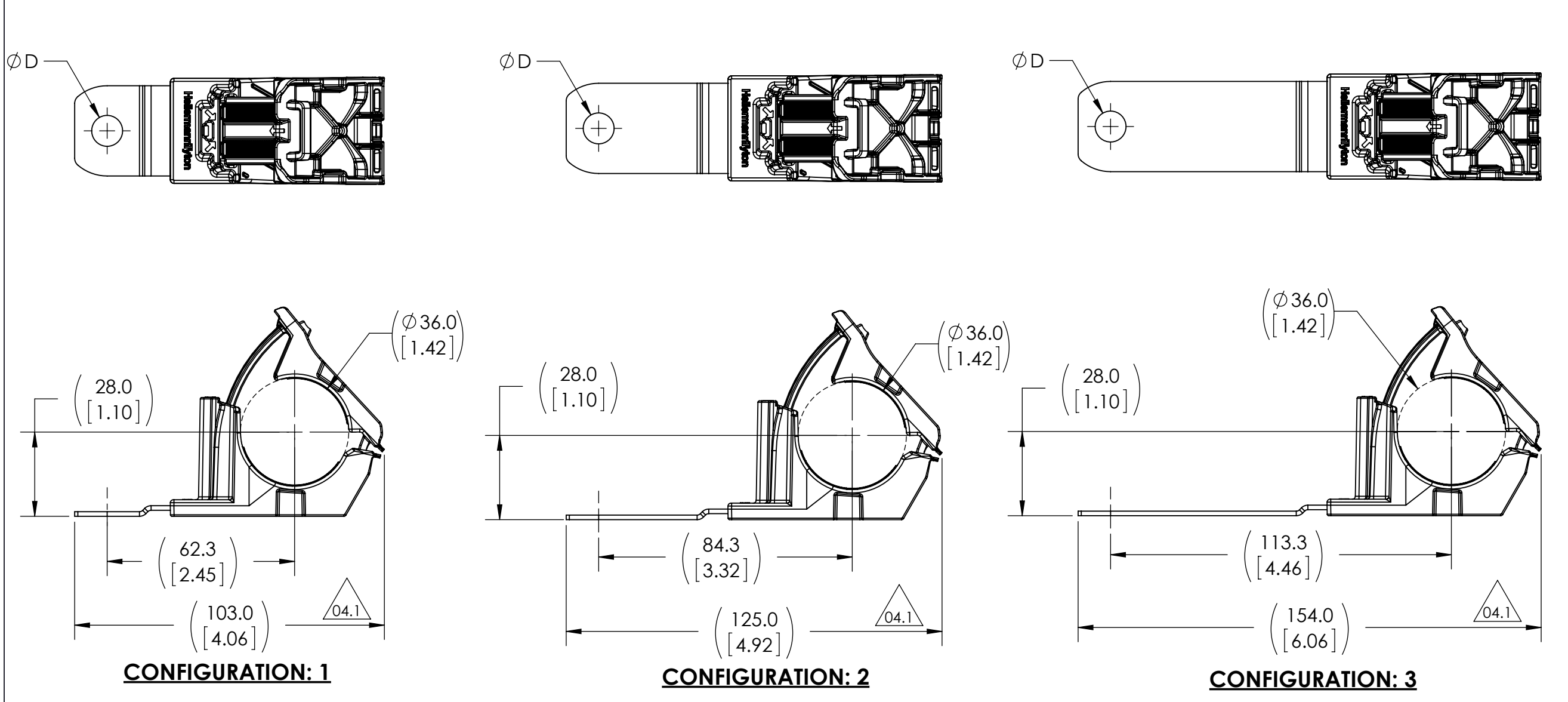
5. MAXIMUM PERCENT REGRIND PERMISSABLE: 25%

6. MAXIMUM ALLOWABLE FLASH OR MISMATCH TO BE: 0.25mm

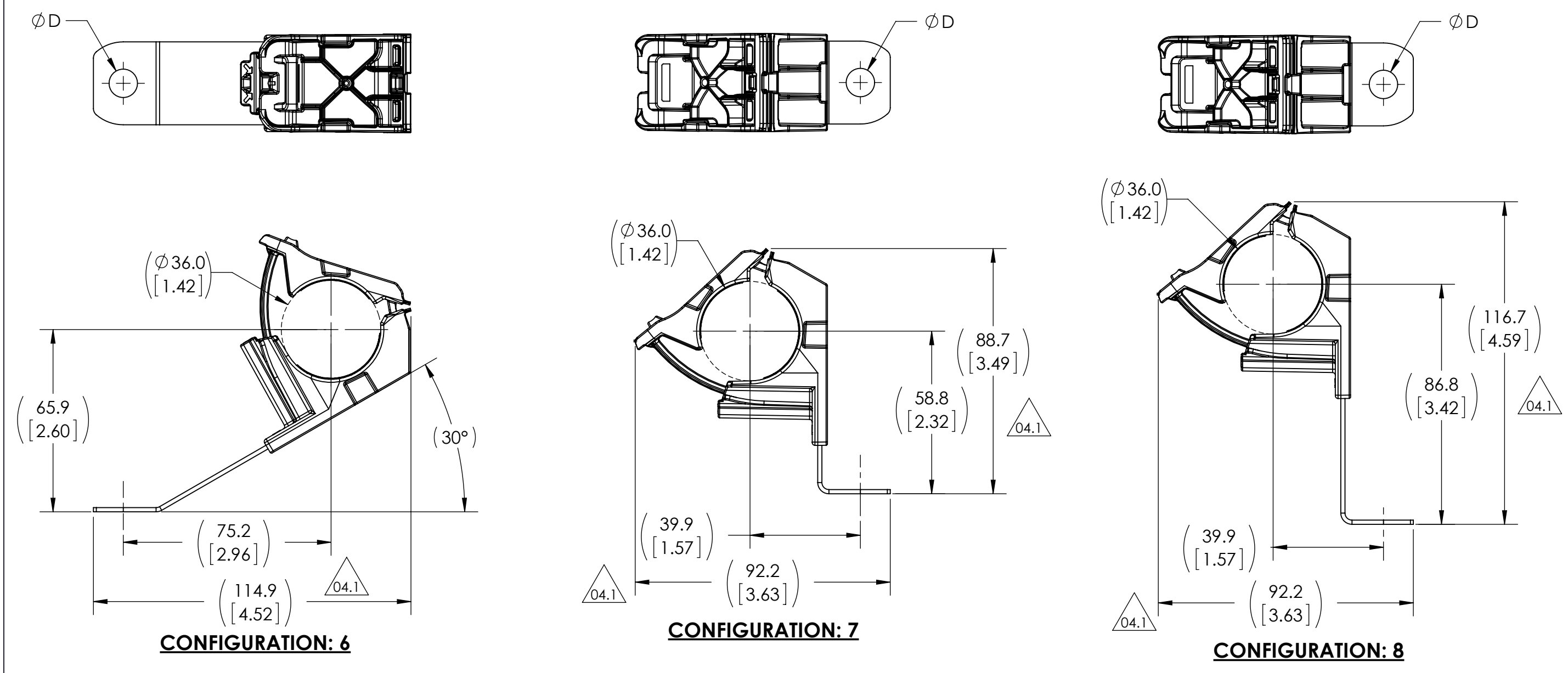
BUNDLE TYPES	A MINIMUM DIAMETER	B MAXIMUM DIAMETER
SOFT	19.4 [.76]	36.0 [1.42]
HARD	18.6 [.73]	35.2 [1.39]

Notes	Material	Units: millimeters	The copyright of this drawing is reserved by HellermannTyton. It is issued on condition that it is not reproduced, copied, or disclosed to a third party, either wholly or in part, without the consent of HellermannTyton.	Drawn	KEP	04/13/2015	Article/Type-No	SEE CHART (SHEET 2)	Scale	1:1
	1. PA66HIRHSUV 2. ZINC PLATED STEEL	Dimension without tolerances details to: .xxx = ±.013 .xx = ±.13 .x = ±.3 None = ±.8 < = ±0.5* Dimension Formatted mm/(in)		Approved	MHT	8/21/2015	Title	RCC RATCHET P CLAMP, SIZE C, CLAMP RANGE 19.4 TO 36.0	Project Number	PRP15-0341
				HellermannTyton North America Email: corp@htamericas.com Web: www.hellermann.tyton.com			Drawing-No	15-0341-103-CSU	Production : Phase	Format
								Sheet	1/2	

Revision level			Revision Record	Changed	Date	Approved	Date
Drawing	State	Part					
04.1	Design Release	A	SEE ECN# 013325	KEP	3/25/2016	MHT	3/25/2016



**ALL VIEWS IN MAXIMUM BUNDLE DIAMETER
PRODUCT SHIPPED IN CLAMP OPEN POSITION**



CONFIGURATION	DESCRIPTION	D ±0.13	TYPE	C - OVERALL OPEN LENGTH REFERENCE (SEE SHEET 1)
1	180° SHORT	6.50 [.256]	RCC180SM6	156.1 [6.15]
		8.31 [.327]	RCC180SM8	
		10.29 [.405]	RCC180SM10	
		12.95 [.510]	RCC180SM12	
2	180° MEDIUM	6.50 [.256]	RCC180MM6	178.1 [7.01]
		8.31 [.327]	RCC180MM8	
		10.29 [.405]	RCC180MM10	
3	180° LONG	6.50 [.256]	RCC180LM6	207.1 [8.15]
		8.31 [.327]	RCC180LM8	
		10.29 [.405]	RCC180LM10	
4	15° SHORT	6.50 [.256]	RCC15SM6	155.5 [6.12]
		8.31 [.327]	RCC15SM8	
		10.29 [.405]	RCC15SM10	
5	30° SHORT	6.50 [.256]	RCC30SM6	153.4 [6.04]
		8.31 [.327]	RCC30SM8	
		10.29 [.405]	RCC30SM10	
6	30° LONG	6.50 [.256]	RCC30LM6	190.4 [7.50]
		8.31 [.327]	RCC30LM8	
		10.29 [.405]	RCC30LM10	
7	90° SHORT	6.50 [.256]	RCC90SM6	141.8 [5.58]
		8.31 [.327]	RCC90SM8	
		10.29 [.405]	RCC90SM10	
8	90° LONG	6.50 [.256]	RCC90LM6	169.8 [6.69]
		8.31 [.327]	RCC90LM8	
		10.29 [.405]	RCC90LM10	
		12.95 [.510]	RCC90LM12	

Notes	Material	Units: millimeters	Drawn	KEP	04/13/2015	Article/Type-No	SEE CHART	Scale	2:3
	1. PA66HIRHSUV 2. ZINC PLATED STEEL	Dimension without tolerances details to: .xxx = ±.013 .xx = ±.13 .x = ±.3 None = ±.8 < = ±0.5*	Approved	MHT	8/21/2015	Title	RCC RATCHET P CLAMP, SIZE C, CLAMP RANGE 19.4 TO 36.0	Project Number	PRP15-0341
			The copyright of this drawing is reserved by HellermannTyton. It is issued on condition that it is not reproduced, copied, or disclosed to a third party, either wholly or in part, without the consent of HellermannTyton.		HellermannTyton North America Email: corp@htamericas.com Web: www.hellermann.tyton.com		Drawing-No	15-0341-103-CSU	Format
							Production : Phase	Sheet	2/2