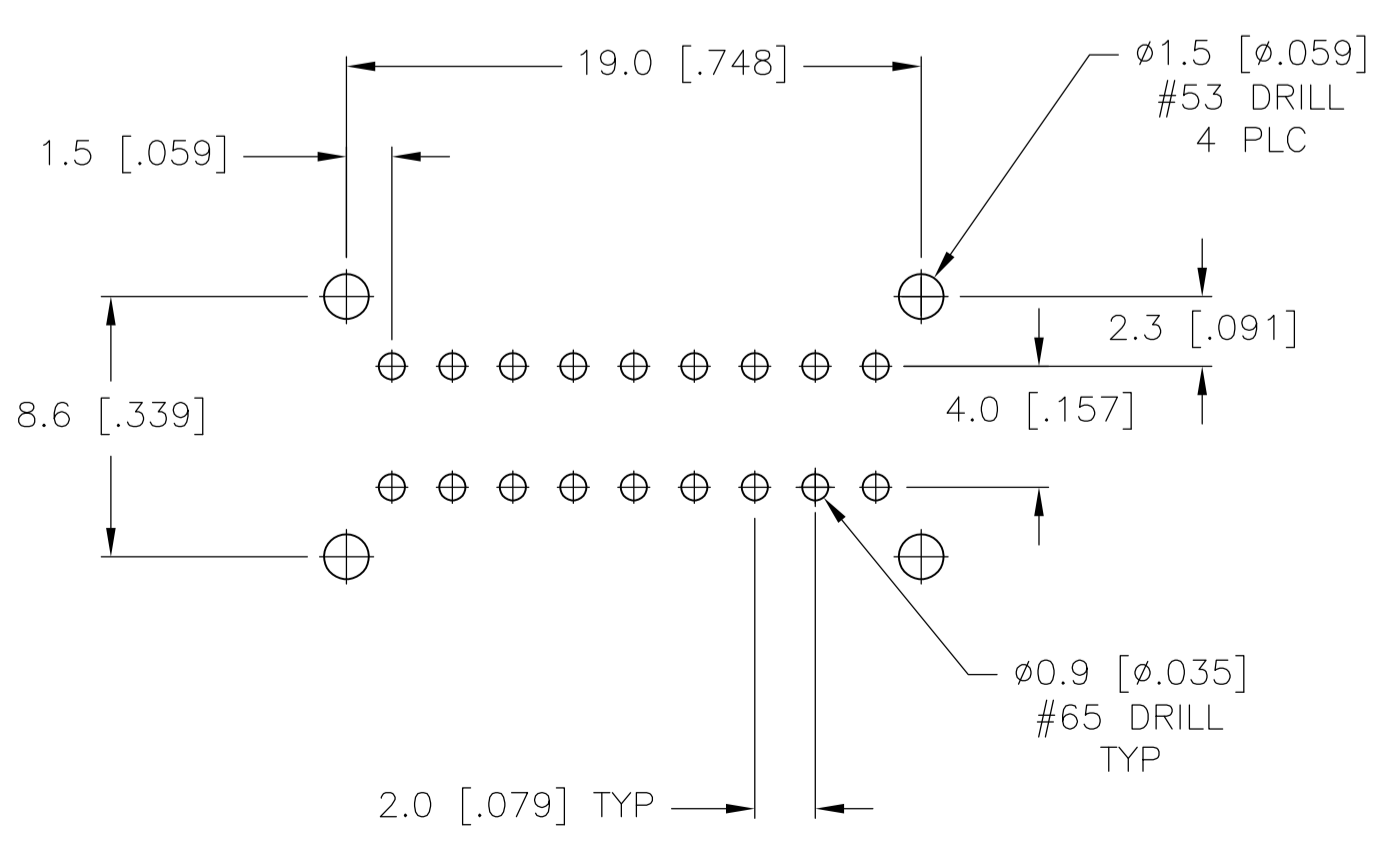
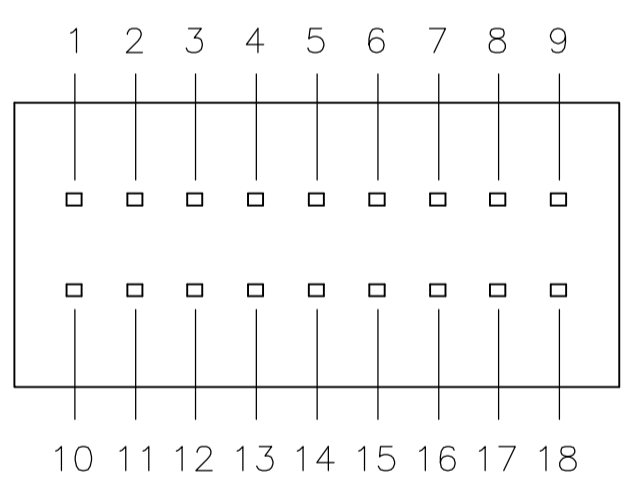
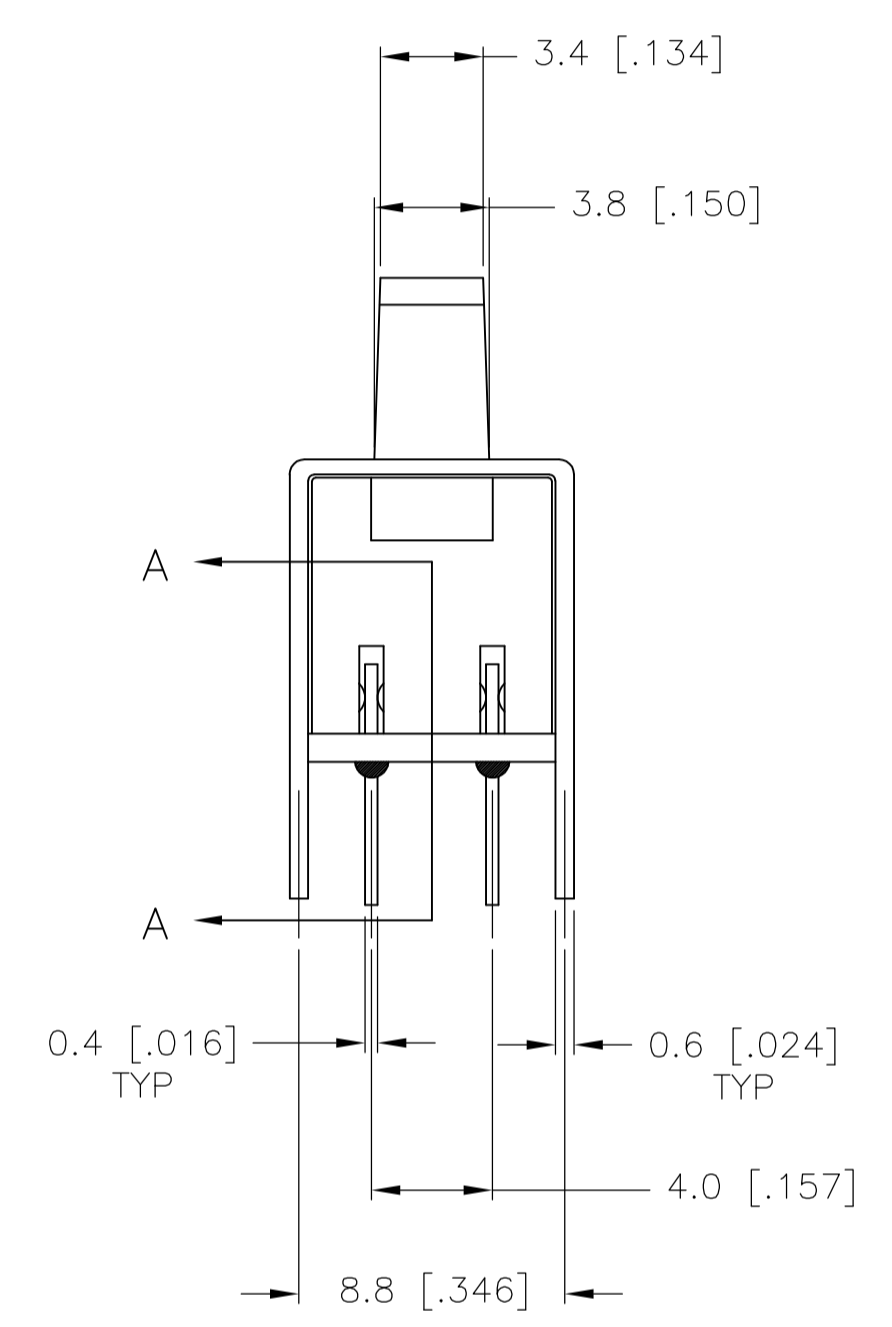
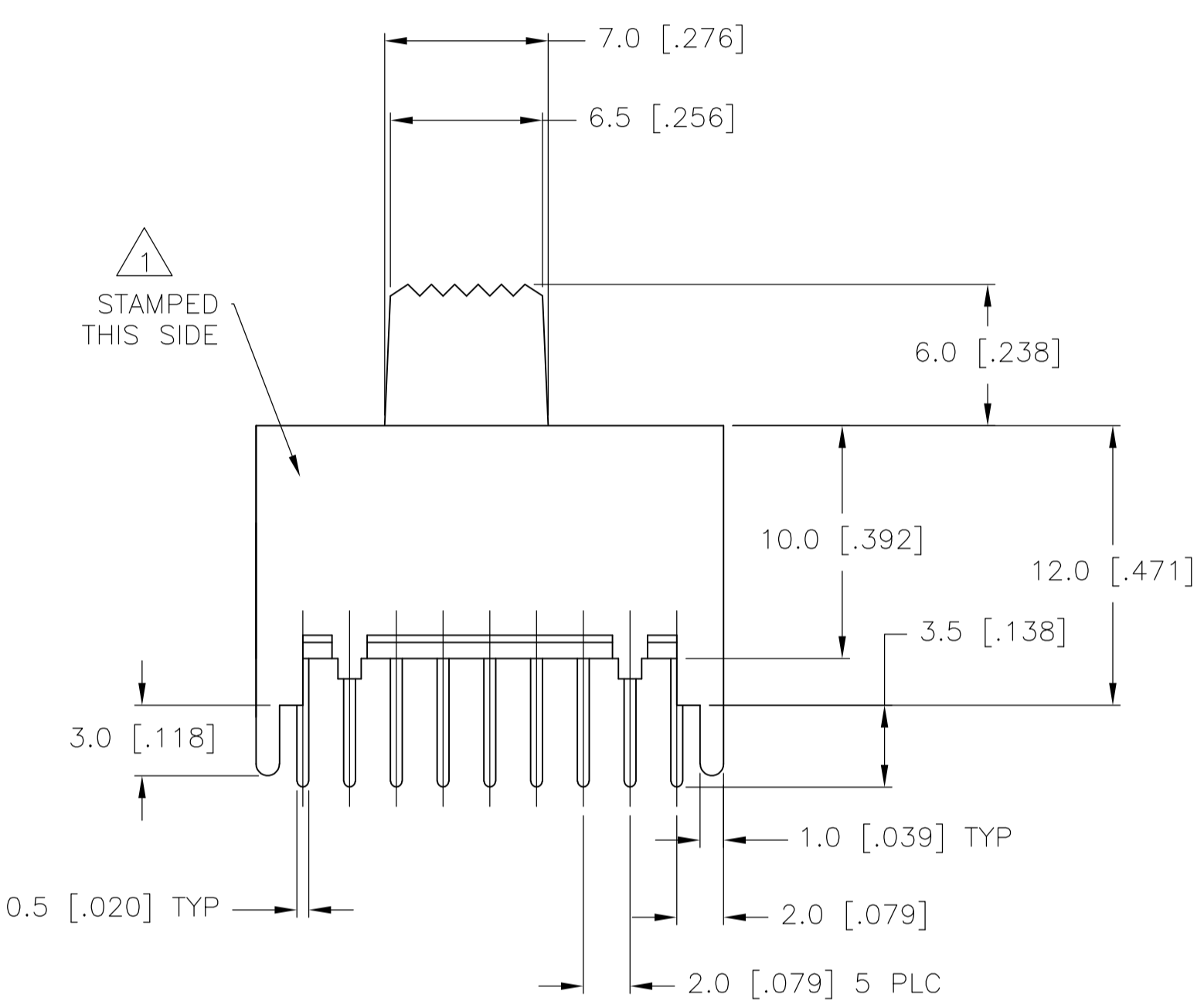
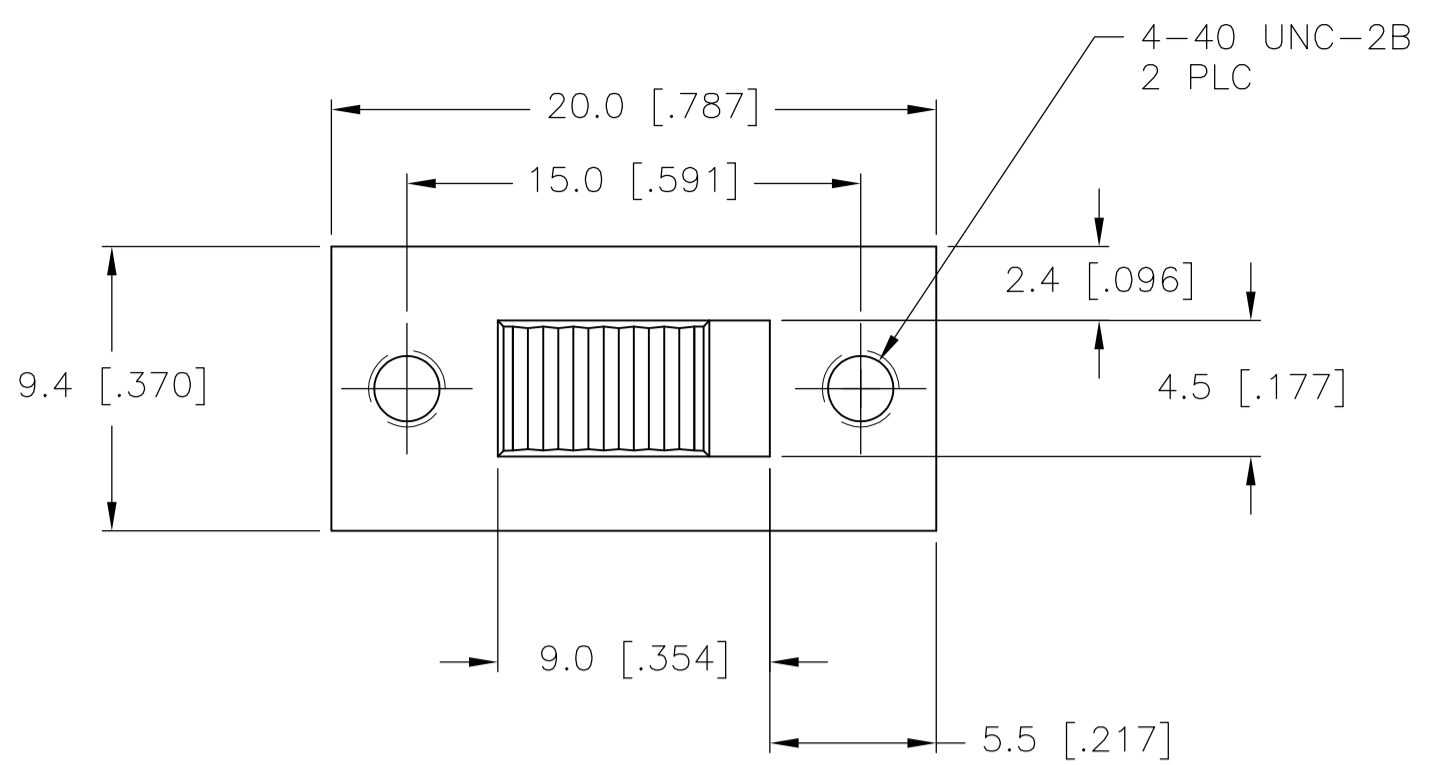
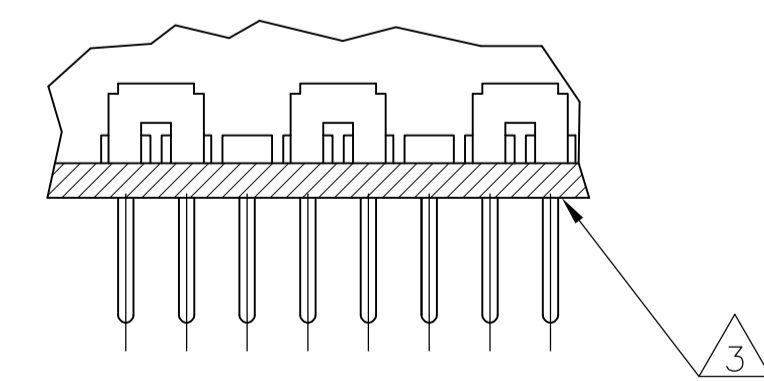


LOC		DIST		REVISIONS			
AD	00	REV	DATE	BY	APPV	DATE	BY
A1		REVISED PER ECO-10-008611	24APR10	HMR	NE		



RECOMMENDED BOARD LAYOUT



SECTION A-A

SPECIFICATIONS
MAKE-BEFORE-BREAK

MATERIALS:
 ACTUATOR- POM, UL94HB BLACK
 TERMINAL BOARD- PHENOLIC LAMINATED SHEET, UL94HB, NATURAL
 FRAME- STEEL, NICKEL PLATE
 TERMINAL/FIXED CONTACT- COPPER ALLOY, GOLD OR SILVER OVER NICKEL PLATE
 MOVING CONTACT- COPPER ALLOY, GOLD OR SILVER OVER NICKEL PLATE
 DETENT BALL- STEEL
 COIL SPRING- GALVANIZED SPRING WIRE
 SEAL- EPOXY

ELECTRICAL:
 CONTACT RATING- .4VA@20VDC OR PEAK AC (GOLD); 300mA@125V AC (SILVER)
 INITIAL CONTACT RESISTANCE- 30 milliohm max.
 FINAL CONTACT RESISTANCE- 100 milliohm max. (AFTER TEST)
 INSULATION RESISTANCE- 1,000 Megohms min.
 DIELECTRIC STRENGTH- 500V RMS@SEA LEVEL
 LIFE EXPECTANCY- 15,000 CYCLES MIN.

MECHANICAL:
 ACTUATION FORCE- 600+/-300 GRAMS
 TRAVEL- 2.0 +/- .50 (.079 +/- .020)

ENVIRONMENTAL:
 OPERATING TEMPERATURE- -20 TO +85 DEGREES C
 STORAGE TEMPERATURE- -40 TO +100 DEGREES C
 RESISTANCE TO SOLDER HEAT PER 109-202, CONDITION B
 SOLDERABILITY PER EIA-364-52, CLASS 2, CATEGORY 1, 95% MIN COVERAGE

NOTES:

1. COUNTRY OF ORIGIN AND TE LOGO LOCATED APPROXIMATELY AS SHOWN
2. ALL MATERIALS AND FINISHES SHALL COMPLY WITH EU DIRECTIVE 2002/95/EC OF 27JAN2003 (ROHS)
3. ANTI SOLDER WICK SEAL AT TERMINAL TO BOARD INTERFACE
4. ALL PERFORMANCE TESTING WAS DONE IN ACCORDANCE TO TYCO SPECIFICATION 102-2469

1825271-2	MSS6200G04	GOLD	2 - 1 11 - 10 5 - 4 14 - 13 8 - 7 17 - 16	2 - 3 11 - 12 5 - 6 14 - 15 8 - 9 17 - 18
1825271-1	MSS620004	SILVER	2 - 1 11 - 10 5 - 4 14 - 13 8 - 7 17 - 16	2 - 3 11 - 12 5 - 6 14 - 15 8 - 9 17 - 18
TYCO PART NO.	T&B PART NO.	PLATING		

TERMINALS CONNECTED WHEN SLIDE IS IN POSITION SHOWN.

THIS DRAWING IS A CONTROLLED DOCUMENT.		DIN R BROWN 21DEC05	Tyco Electronics Corporation Harrisburg, Pa 17105-3608	
DIMENSIONS: mm		CHK M SARVER 21DEC05	Tyco Electronics	
TOLERANCES UNLESS OTHERWISE SPECIFIED:		APPV M SARVER 21DEC05	NAME SLIDE SWITCH, MSS 6200 SERIES, 6P-DT	
0 PLC ± -		PRODUCT SPEC	APPLICATION SPEC	
1 PLC ± 0.3 [.012]		SIZE	CAGE CODE	DRAWING NO
2 PLC ± -		WEIGHT	A1 00779	RESTRICTED TO
3 PLC ± -		CUSTOMER DRAWING		
4 PLC ± -		SCALE 4:1 SHEET 1 OF 1 REV A1		
ANGLES ± -		SCALE 4:1 SHEET 1 OF 1 REV A1		