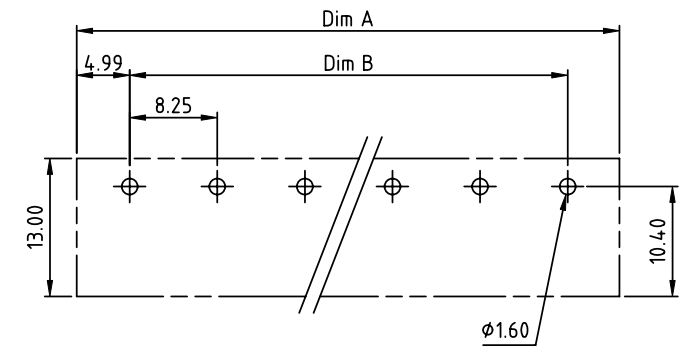
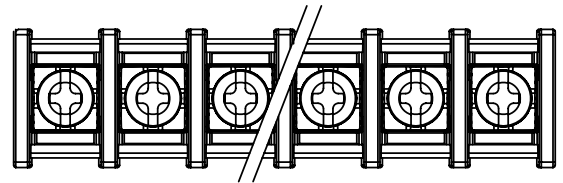
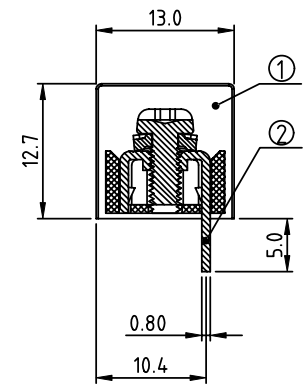
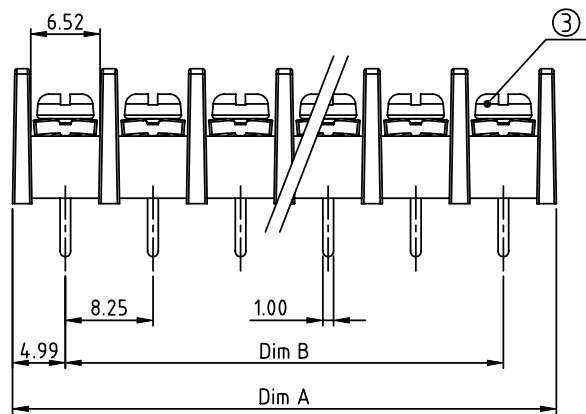


PRODUCT NUMBER	PITCH
YK421xx0x0JOG	8.25 mm



RECOMMENDED P.C.B LAYOUT
TOP VIEW



MATERIALS & ELECTRICAL

RATED VOLTAGE & CURRENT: 300 V, 20 A

WITHSTAND VOLTAGE: AC 2000 V/Min

INSULATION RESISTANCE: 1000 M Ω OR MORE AT DC 500 V

OPERATING TEMPERATURE RANG: -40 °C ~ +115 °C

SCREW TORQUE VALUE: 8.8 Lb-In.

WIRE RANGE: 22 - 12 AWG

1) HOUSING: THERMOPLASTIC, UL 94 V-0 BLACK

2) TERMINAL: BRASS, 0.8t

3) TERMINAL SCREWS: STEEL, M3

APPROVAL: us

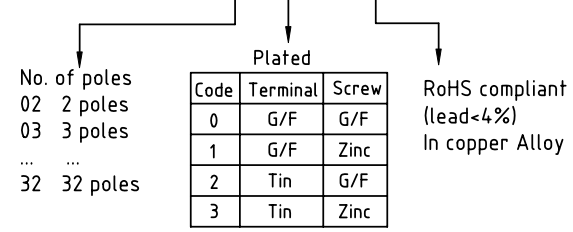
DIMENSION

Dim A	$N \times 8.25 + 1.72$
Dim B	$(N-1) \times 8.25$

N=Number of poles

Poles	Tolerance
2p-8p	± 0.30
9p-16p	± 0.40
17p-24p	± 0.50
25p-32p	± 0.60

PART NO.: YK 421xx 0 x 0 JOG



mat'l. code		surface ASME Y14.5	tolerance ASME Y14.5	projection 	product family TERMINAL BLOCK
ltr	ecn no	dr	date	tolerances unless otherwise specified	title TERMINAL BLOCK
				angles $X^\circ \pm 1'$	BARRIER TYPE
				scale MM	dwg no YK421xx0x0JOG
				dr EVAN LU 061314	sheet 1 of 1 size A4
				enr EVAN LU 061314	type CUSTOMER Drawing
				chr HANKE FENG 061314	
				appd SHI JUN 061314	
sheet index	revision sheet	A	1		