

PART
NAME

ADAPTER BRACKET

PART
No.

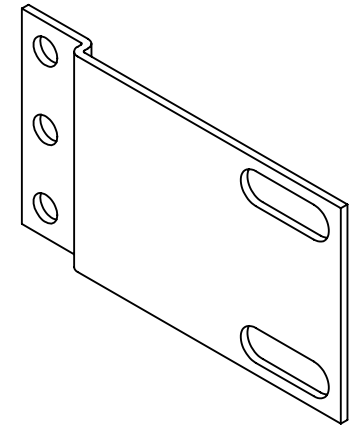
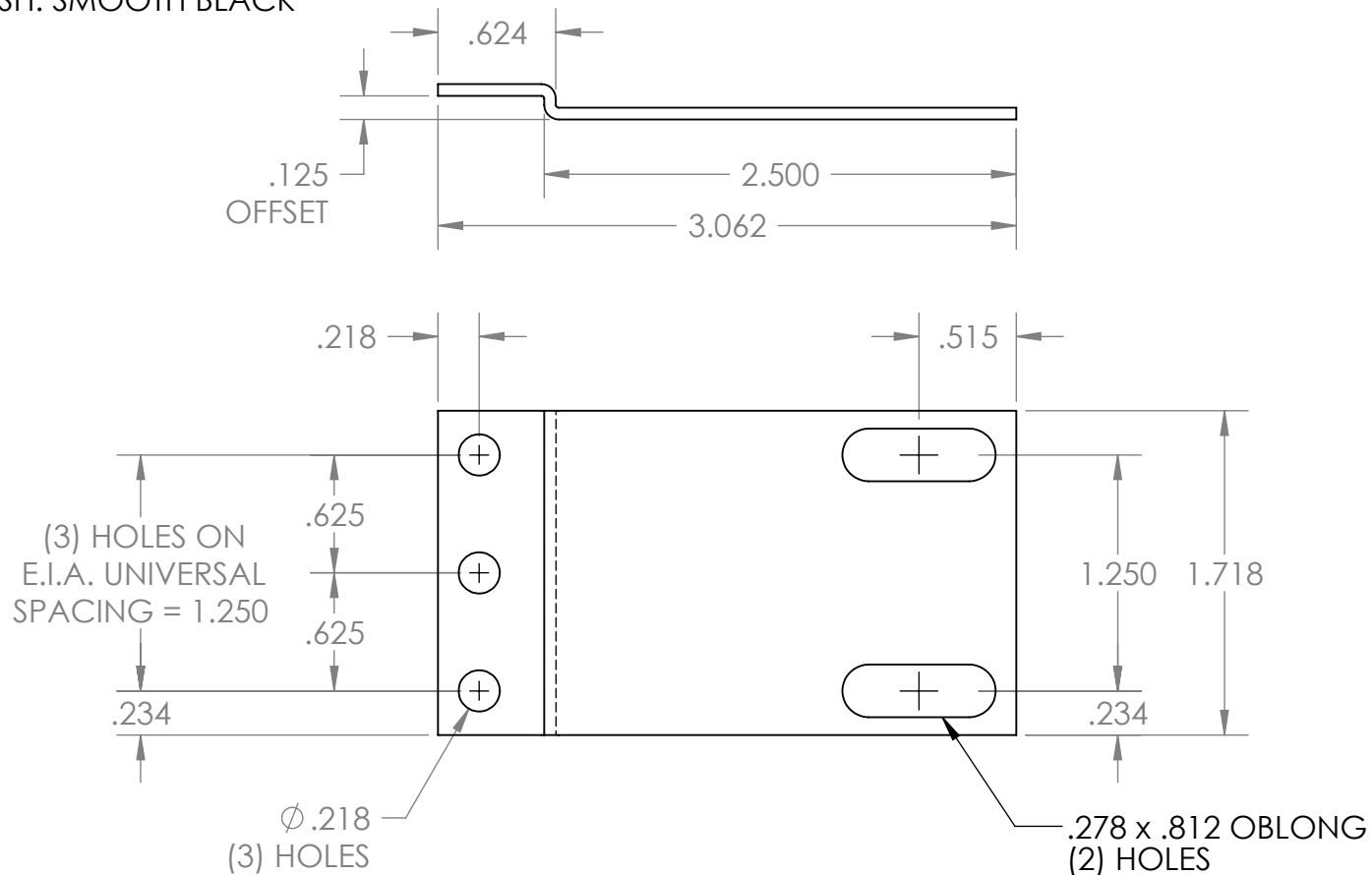
AB-1851

REV.
DATE

4-26-12

MATERIAL: 16 GA. STEEL

FINISH: SMOOTH BLACK



BRACKETS ARE PACKAGED IN PAIRS.

SUPPLIED WITH THE FOLLOWING HARDWARE:
QTY. (8) #10-32 x 5/8" LG. TRUSS HD., PHILLIPS,
STEEL, ZINC PLATED, MACHINE SCREWS
QTY. (4) #10-32 KEPS NUTS, STEEL, ZINC PLATED
QTY. (4) #12-24 x 1/2" LG. TRUSS HD., PHILLIPS,
STEEL, ZINC PLATED, MACHINE SCREWS

BRACKETS ARE USED FOR MOUNTING
19" WIDE EQUIPMENT INTO OPEN
RELAY RACKS WITH 23" AND 24"
WIDE PANEL SPACES AND
ENCLOSED CABINET RACKS WITH
24" WIDE PANEL SPACE.