

Introduction

DESCRIPTION		KEY FEATURES
<p>The LX23214 is a four-channel LED driver for backlight applications in LCD TVs and monitors. It integrates two individual DC/DC blocks with peak current mode control. Each DC/DC section has two PWM controllers to drive two LED strings. The DC/DC control loop adjusts the supply voltage for each pair of LED strings for maximum power efficiency.</p> <p>The DC/DC PWM controllers are phase shifted by 180° to reduce peak ripple currents and radiated EMI. Systems with two LX23214 units can be synchronized to prevent beat frequency interference.</p> <p>LED string short circuit or open circuit conditions are detected, flagged, and protected against.</p> <p>Internal linear regulators provide 12V and 5V power rails to drive internal circuitry from the V_{IN} voltage. Alternatively a 12V supply can be fed directly to the device.</p> <p>The LX23214 supports Analog Dimming or two Direct Digital Dimming inputs. Each Direct Digital Dimming input controls two LED strings.</p> <p>The LX23214 is available in both 48 pin QFN and 48 pin SSOP packages.</p> <p>IMPORTANT: For the most current data, consult <i>MICROSEMI</i>'s website: http://www.microsemi.com</p>		<ul style="list-style-type: none"> ▪ EDGE-Lit LED Backlight Driver for LCD TVs and Monitor Displays ▪ Supports Analog Input dimming or Direct Digital LED dimming operations. ▪ Supports LED PWM dimming frequency of up to 2kHz ▪ Direct Digital PWM mode supports two independent digital input signals ▪ 2% precision current control of four LED strings (string to string). ▪ ±3% precision current control (chip to chip) ▪ Supports four LED strings with control and protection ▪ LED string currents are completely user programmable ▪ Two integrated, independent DC/DC power supplies controllers which support boost operation mode. ▪ 100kHz to 300kHz constant switching frequency power conversion ▪ Supports DC/DC synchronization across multiple ICs ▪ LED open and short circuit fault protection and indication ▪ Over temperature and over voltage fault protection and indication ▪ RoHS compliant
PACKAGE ORDER INFO		THERMAL DATA
T _A (°C) -40 to +85	LX23214IDB (Bulk) LX23214IDB-TR (Tape and Reel)	θ _{JA} = 70°C/W SSOP leaded package according to JESD51-7
	LX23214ILQ (Bulk) LX23214ILQ-TR (Tape and Reel)	θ _{JA} = 29°C/W QFN package according to JESD51-7

- RoHS Compliant / Pb-free

Junction Temperature Calculation: $T_J = T_A + (P_D \times \theta_{JA})$. θ_{JA} levels are guidelines for the thermal performance of the device/pc-board system. All of the above assumes no ambient airflow.

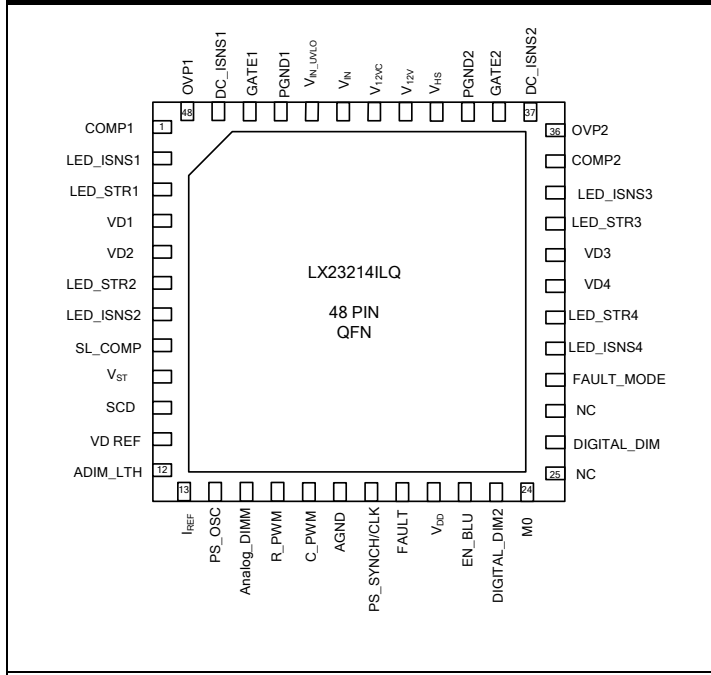
PRODUCTION DATASHEET
PACKAGE PIN OUT


Figure 1: LX23214ILQ QFN Package Pin Out

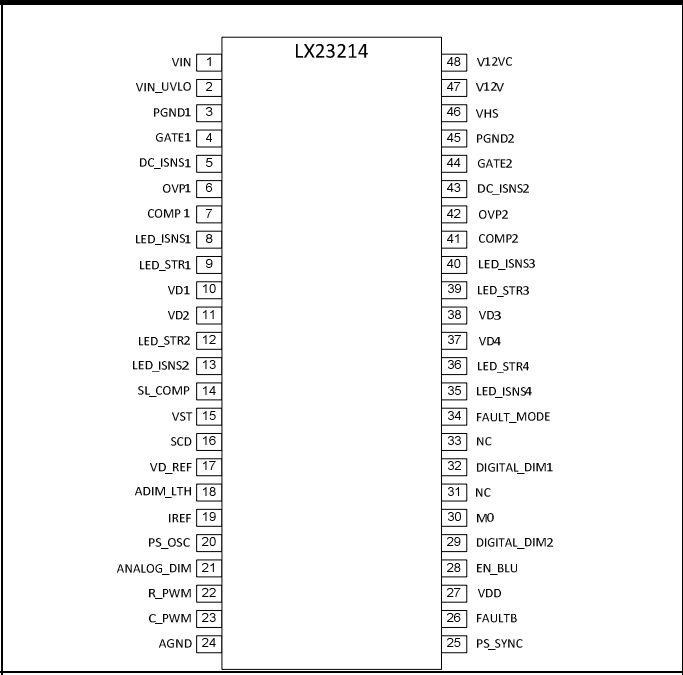


Figure 2: LX23214IDB SSOP Package Pin Out

ABSOLUTE MAXIMUM RATINGS

V_{IN} Supply Input Voltage	-0.3V to 45V
V_{12V} Supply Input Voltage	-0.3V to 15V
V_{12VC}	$V_{12V} - 0.3V$ to $V_{12V} + 2V$
V_{IO} Input Voltage	-0.3V to $V_{DD} + 0.3V$
Gate1, Gate2, LED_STR1-LED_STR 4, VD1-VD4	-0.3V to $V_{12V} + 0.3V$
FAULT, LED ISNS 1-LED ISNS4	-0.3V to +6V
Between any two grounds.	-0.3V to + 0.3V
Operating Ambient Temperature Range	-40 to 85°C
Maximum Operating Junction Temperature	150°C
HBM ESD Protection at all I/O pins	+/- 2.5 kV
CDM ESD Protection at all I/O pins	+/- 1.5kV
MM ESD Protection at all I/O pins	+/- 250V
Storage Temperature Range	-65°C to 150°C
Lead Temperature (Soldering 10 seconds)	300°C
Package Peak Temperature for Solder Reflow (40 seconds maximum exposure)	260°C (+0,-5°C)

Notes: Exceeding these ratings could cause damage to the device. All voltages are with respect to Ground. Currents are positive into, negative out of specified terminal.

RECOMMENDED OPERATING CONDITIONS

V_{IN} Supply Input Voltage	15 to 30V
V_{12V} Supply Input Voltage when driven from an external supply	10 to 15V
Operating Ambient Temperature Range	-40 to 85°C
Minimum PWM pulse width	20µs
ADIM_LTH voltage	0 to 0.5V
R_{IREF}	30.1kΩ

Electrical Specifications

ELECTRICAL CHARACTERISTICS

Unless otherwise specified, the following specifications apply for operating ambient temperature $-10^{\circ}\text{C} \leq T_{\text{amb}} \leq +85^{\circ}\text{C}$.

IC Supply Specifications

PARAMETER	SYMBOL	TEST CONDITIONS / COMMENT	LX23214			UNIT
			MIN	TYP	MAX	
IC Supply Specifications						
Supply Voltage	V_{IN}	Input condition when V_{IN} drives the 12V internal linear regulator	15	24	40	V
Input Supply Current	I_{IN}	$V_{\text{IN}} = 24\text{V}$, LED PWM 50% duty at 2kHz, DC/DC switching at 300kHz, gate drivers loaded by 1000pF		23	30	mA
		LED dimming at 0%		6	8	
Sleep Current	I_{SLEEP}	EN_BLU = Logic low, V_{DD} and $V_{12\text{V}}$ are active and available to drive external circuitry.			5	mA
(I_{REF}, $V_{12\text{VC}}$, $V_{12\text{V}}$, V_{DD}, V_{HS})						
I_{REF} Output voltage	V_{REF}	Loaded with a 30.1k Ω resistor	1.181	1.201	1.222	V
12 V _{DC} Input Voltage	$V_{12\text{V}}$	Input condition when using an external 12V supply to drive $V_{12\text{V}}$	10	12	15	V
12V Regulated Voltage Output	$V_{12\text{V}}$	$15\text{V} \leq V_{\text{IN}} \leq 30\text{V}$, $0 \leq I \leq 50\text{mA}$ Pins $V_{12\text{V}}$ and $V_{12\text{VC}}$ are connected together	10.8	12	13.2	V
5V Regulated Voltage Output	V_{DD}	$10\text{V} \leq V_{12\text{V}} \leq 15\text{V}$, $0 \leq I \leq 10\text{mA}$	4.75	5	5.25	V
$V_{12\text{VC}}$ Output Current	$I_{12\text{VC}}$	$V_{12\text{VC}}$ pin is shorted to $V_{12\text{V}}$ pin. Available for external use	2			mA
V_{DD} Output Current	I_{VDD}	Available for external use	1			mA
LED Current Accuracy (20 mA < I_{LED} < 350 mA @ 100% duty cycle, V_{SENSE} = 350 mV)						
LED Current Accuracy Chip to Chip		$-10^{\circ}\text{C} \leq T_{\text{amb}} \leq +85^{\circ}\text{C}$			± 3	%
		$+50^{\circ}\text{C} \leq T_{\text{amb}} \leq +70^{\circ}\text{C}$			± 2	%
LED Current Matching (20 mA < I_{LED} < 350 mA @ 100% duty cycle, V_{SENSE} = 350 mV)						
LED Current Matching String to String		$-10^{\circ}\text{C} \leq T_{\text{amb}} \leq +85^{\circ}\text{C}$			± 2	%
		$+50^{\circ}\text{C} \leq T_{\text{amb}} \leq +70^{\circ}\text{C}$			± 1	%
LED NFET Driver (LED_ISNS1-4, LED_STR1-4)						
LED Current Sense Accuracy	V_{SENSE}	LED_ISNS voltage absolute accuracy	340	348	355	mV
Gate Drive Range	$V_{\text{GD_LED}}$		0		$V_{12\text{V}}$	V
DC/DC oscillator (PS_SYNC/CLK)						

PARAMETER	SYMBOL	TEST CONDITIONS / COMMENT	LX23214			UNIT
			MIN	TYP	MAX	
PS reference voltage	V_{PS}	Loaded with a 30.1k Ω resistor.	1.127	1.154	1.173	V
Upper oscillator frequency	f_{OSC_UPPER}	$R_{PS_OSC} = 30.1k\Omega$ DC/DC switching frequency is 1/2 of the oscillator frequency	0.54	0.6	0.66	MHz
Lower oscillator frequency	f_{OSC_LOWER}	$R_{PS_OSC} = 90.9k\Omega$ DC/DC switching frequency is 1/2 of the oscillator frequency	0.18	0.20	0.22	MHz
DC/DC NFET Driver (GATE1,GATE2)						
DC/DC Maximum Duty Cycle	DC_{MAX}			90		%
Pull up Resistance				9	18	Ω
Pull down Resistance				6	12	Ω
DC/DC Current Sense section (DC_ISNS1, DC_ISNS2)						
Maximum Sense Input Voltage	V_{SENSE}		180	200	220	mV
Leading Edge Blanking	t_{BLANK}		75	100	125	ns
Drain Voltage Sensing section (VD1, VD2, VD3, VD4)						
VDMIN Accuracy		WRT VD_REF	-0.1	0	0.1	V
VD bias Current		Bias for external blocking diode		90		μ A
LED short circuit detection level (SCD, VD1, VD2, VD3, VD4)						
Differential SCD threshold	V_{SCD}	Difference between VDmax and V_{ADIM} , $R_{SCD} = 100k\Omega$,	7.6	8	8.4	V
Absolute SCD threshold		Measured WRT V12V		92		%
SCD bias current				$0.6/R_{IRE_F}$		A
VDMIN Reference (VDREF)						
VDREF Bias Current				$0.6/R_{IRE_F}$		A
Fast Start Threshold (VST)						
VST Bias Current				$0.6/R_{IRE_F}$		A
Analog PWM Oscillator (R_{PWM}, C_{PWM})						
R_{PWM} Reference Voltage		Loaded with a 30.1K Ω resistor. C_{PWM} should be in a range between 3.6nF and 22nF and +/-1% accuracy R_{PWM} should be in a range between 15K and 60K and +/-1% accuracy	1.178	1.2	1.222	V
LED PWM Frequency	f_{PWM}	$C_{PWM} = 3.9nF$, $R_{PWM} = 15 K\Omega$, ADIM_LTH connected to AGND	1944	1976	2047	Hz
		$C_{PWM} = 22nF$, $R_{PWM} = 52.3K\Omega$, ADIM_LTH connected to AGND	96	100	104	Hz

PARAMETER	SYMBOL	TEST CONDITIONS / COMMENT	LX23214			UNIT
			MIN	TYP	MAX	
Analog Inputs (ANALOG_DIM, ADIM_LTH)						
ANALOG_DIM Voltage Range		ADIM_LTH connected to AGND	-0.125		2.5	V
LED PWM Duty Cycle Range		ADIM_LTH connected to AGND	0		100	%
Input Current		$V_{ANALOG_DIM} = 2.5V$			1	μA
TTL Inputs (EN_BLU, DIGITAL_DIM1, DIGITAL_DIM2)						
Input Logic High	V_{IH}	Input Condition	2.0			V
Input Logic Low	V_{IL}	Input Condition			0.8	V
Input High Current	I_{IH}	$V_{INH} = 5V$			10 (140 for EN_BLU)	μA
Input Low Current	I_{IL}	$V_{INL} < 0.8V$			5 (25 for EN_BLU)	μA
Input Hysteresis Voltage	V_{IHH}			0.6		V
CMOS I/O (PS_SYNC/CLK)						
Input Logic Threshold	V_{TH}			$V_{DD} * 0.5$		V
Output High Voltage	V_{OH}	$I = 5mA$	$V_{DD} - 0.5$			V
Output Low Voltage	V_{OL}	$I = 5mA$			0.5	V
Input Logic High Threshold	V_{IH}		$V_{DD} - 1.7$			V
Input Logic Low Threshold	V_{IL}				1	V
Tri-state Threshold Input Float Voltage	V_{TRL_STATE}	Input is floating		$V_{DD} / 2$		V
Input High Current	I_{IH}	$V_{IN} = V_{DD}$			20	μA
Input Low Current	I_{IL}	$V_{IN} = 0V$	-20			μA
Over voltage protection (OVP1, OVP2)						
OVP threshold	V_{IN_OVPT}		3.8	4	4.2	V
OVP Hysteresis	V_{IN_OVPH}			0.6		V
UVLO Threshold Level	V_{IN_UVLOT}	Disable IC by holding POR low while under this level	3.85	4.0	4.2	V
UVLO Hysteresis	V_{IN_UVLOH}	Hysteresis for programmable input (V_{IN}) UVLO threshold level		0.5		V
Open drain (FAULT)						
Output Low Voltage	V_{OL_FAULT}	$I_{OL} = 2mA$			0.2	V
Leakage Current	I_{L_FAULT}	$V_{OUT} = 5V$			1	μA

PARAMETER	SYMBOL	TEST CONDITIONS / COMMENT	LX23214			UNIT
			MIN	TYP	MAX	
Threshold Voltage			2.4	2.5	2.6	V
Thermal Protection						
Over Temperature Shutdown	T _{SHUT_OFF}	Maximum temperature shutdown protection	160	175	195	°C
Over Temp Shutdown Hysteresis	T _{OTSH}			40		°C

Note: Thermal protection shuts down all DC/DC ports in auto restart mode; this mode is independent of the fault mode selection.

Pin Description

QFN Pin #	SSOP Pin #	Pin Name	Pin Type	Description
1	7	COMP1	Input	DC/DC1 loop compensation, R/C network to PGND1
2	8	LED_ISNS1	Input	LED String1 current sense, resistor to PGND1. $R_{SENSE} = 0.35V/I_{LED}$
3	9	LED_STR1	Output	LED String1 NFET gate drive.
4	10	VD1	Input	Connect to an isolating NFET or diode to sense String 1 NFET drain voltage.
5	11	VD2	Input	Connect to an isolating NFET or diode to sense String 2 NFET drain voltage.
6	12	LED_STR2	Output	LED String2 NFET gate drive.
7	13	LED_ISNS2	Input	LED String2 current sense, resistor to PGND1. $R_{SENSE} = 0.35V/I_{LED}$
8	14	SL_COMP	Input	DC/DC boost converter slope compensation, resistor to AGND. $R_{SL_COMP} = 1.2V/(10 \cdot m_a \cdot 30pF)$
9	15	V _{ST}	Input	DC/DC fast start threshold, resistor to AGND. Fast start stops when the OVP pin reaches V _{ST} . $R_{VST} = V_{ST} \cdot R_{IREF}/0.6V$
10	16	SCD	Input	LED short circuit threshold, resistor to AGND. $R_{SCD} = V_{SCD} \cdot R_{IREF}/2.4V$
11	17	VD_REF	Input	V _{DMIN} set point, resistor to AGND. $R_{VD_REF} = V_{DMIN} \cdot R_{IREF}/0.6V$
12	18	ADIM_LTH	Input	Analog PWM dimming valley setting, resistor to AGND, leave open for digital dimming. $R_{ADIM_LTH} = (Valley + 0.125) \cdot R_{IREF}/0.6V$ Short to AGND for Valley = -0.125V.
13	19	IREF	Input	Bias current setting, connect 30.1KΩ to AGND.
14	20	PS_OSC	Input	DC/DC frequency setting, resistor to AGND. $R_{PS_OSC} = 9.6 \cdot (1000/F_{DC/DC} - 0.129)$ R _{PS_OSC} in kΩ and F _{DC/DC} in kHz. Leave PS_OSC pin open to use an external clock.
15	21	ANALOG_DIM	Input	Analog PWM Dimming Control voltage input, leave open for digital dimming.
16	22	R_PWM	Input	Analog PWM dimming frequency setting, resistor to AGND, leave open for digital dimming. $R_{PWM} = 4 / (13.18 \cdot F_{PWM} \cdot C_{PWM} \cdot (2.625 - ADIM_LTH))$ R _{PWM} should be set between 15kΩ and 60kΩ
17	23	C_PWM	Input	Analog PWM dimming frequency setting, capacitor to AGND, leave open for digital dimming. C _{PWM} should be set between 3.6nF to 22nF.
18	24	AGND	Ground	Analog ground supply.
19	25	PS_SYNC/CLK	Input/Output	DC/DC clock output as a master of clock input as a slave.
20	26	FAULT	Output	Fault flag and hiccup timer, open drain, connect to an external R-C pull up network. Goes low to indicate a fault.
21	27	V _{DD}	Power	5V volt supply for internal circuitry, 2.2μF capacitor to AGND to guarantee stability.
22	28	EN_BLU	Input	Back light enable. Turns on the DC/DC converters and LED string controllers.
23	29	DIGITAL_DIM2	Input	Digital Dimming input; drives strings 3 and 4. Connect to AGND in analog dimming mode.

PRODUCTION DATASHEET

24	30	M0	3 state input	PWM Dimming mode control selection.
25	31	NC	Input	Reserved , Not connect
26	32	DIGITAL_DIM1	Input	Digital Dimming input; drives strings 1 and 2. Connect to AGND in analog dimming mode.
27	33	NA	Input	Test pin only. Connect to AGND.
28	34	FAULT_MODE	3 state input	Fault Mode control
29	35	LED_ISNS4	Input	LED String4 current sense, resistor to PGND2. $R_S = 0.35V/I_{LED}$
30	36	LED_STR4	Output	LED String 4 NFET gate drive
31	37	VD4	Input	Connect to an isolating NFET or diode to sense String 4 NFET drain voltage.
32	38	VD3	Input	Connect to an isolating NFET or diode to sense String 3 NFET drain voltage.
33	39	LED_STR3	Output	LED String 3 NFET gate drive
34	40	LED_ISNS3	Input	LED String3 current sense, resistor to PGND2. $R_{SENSE} = 0.35V/I_{LED}$
35	41	COMP2	Input	DC/DC 2 loop compensation, R/C network to PGND2
36	42	OVP2	Input	DC/DC2 over voltage protection threshold, connect to resistor divider between V_{boost2} and PGND2.
37	43	DC_ISNS2	Input	DC/DC2 NFET current sense, resistor to PGND2.
38	44	GATE2	Output	DC/DC2 NFET gate control.
39	45	PGND2	Ground	Power ground supply for DC/DC2 and strings 3 and 4.
40	46	V_{HS}	Output	Bias for internal PFET gate drivers, bypass with $1\mu F$ capacitor connected between this pin and V_{12V}
41	47	V_{12V}	Power	12V supply voltage, bypass with $4 \times 2.2\mu F$ capacitors connected between this pin and GND plane
42	48	V_{12VC}	Output	Control output to drive an external transistor to generate V_{12V} . Bypass with $1\mu F$ capacitor to AGND. If internal regulation is used, connect to V_{12V} pin.
43	1	V_{IN}	Power	High voltage supply for the 12V regulator and housekeeping bias circuitry.
44	2	V_{IN_UVLO}	Input	Monitors V_{IN} through an external resistive voltage divider. If this function is not used connect to V_{DD}
45	3	PGND1	Ground	Power ground supply for DC/DC1 and strings 1 and 2.
46	4	GATE1	Output	DC/DC1 NFET gate control
47	5	DC_ISNS1	Input	DC/DC1 NFET current sense
48	6	OVP1	Input	DC/DC1 over voltage protection threshold, connect to resistor divider between V_{boost1} and PGND1.

Functional Description

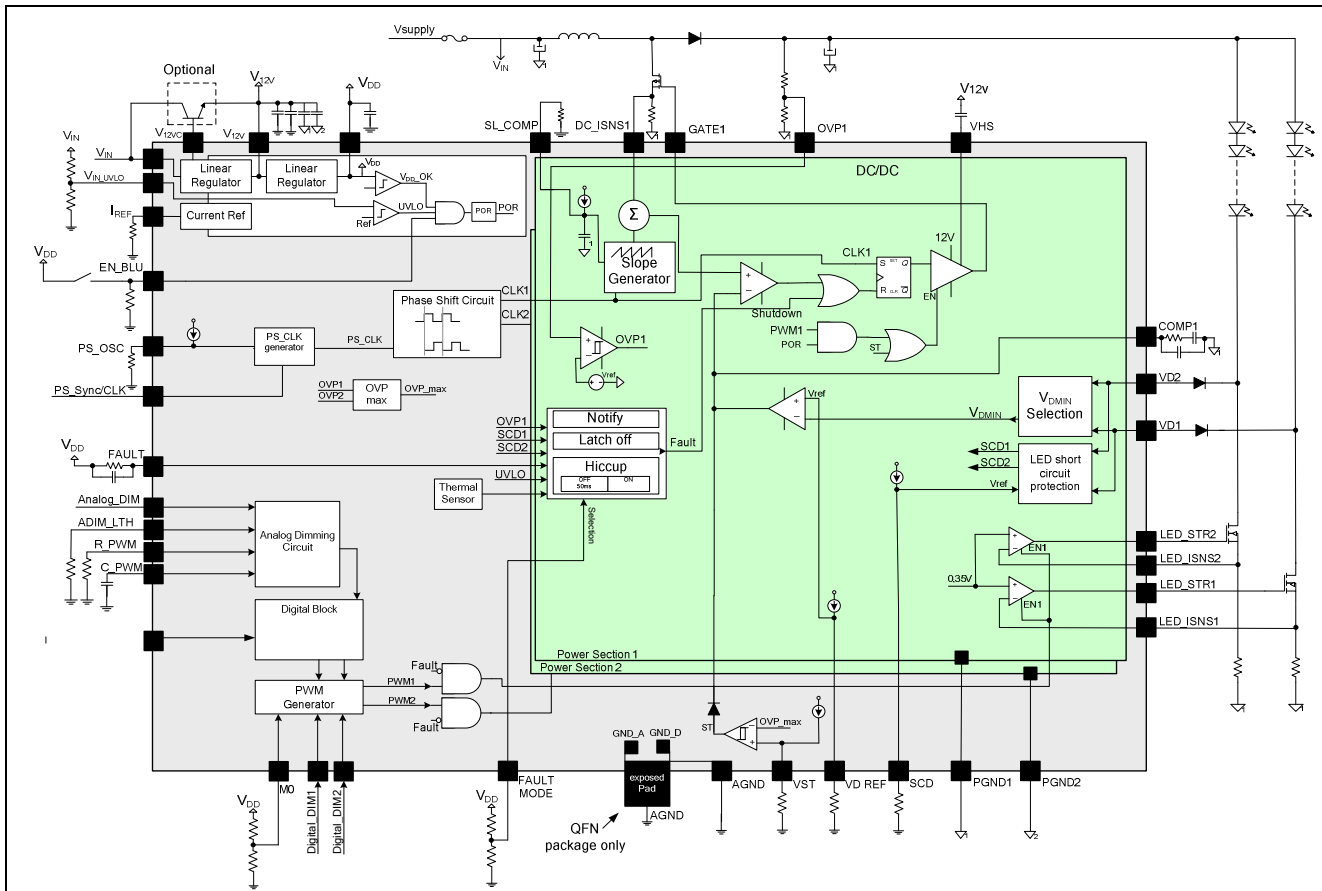


Figure 3: Functional Block Diagram

Theory of Operation

The LX23214 controls four LED strings for a D0 edge LED BLU LCD TV application. Each pair of LED strings share a dedicated DC/DC switch mode current programmed controller. The switching converter can be configured to operate in a boost topology with fixed switching frequency in a range of 100 kHz to 300 kHz.

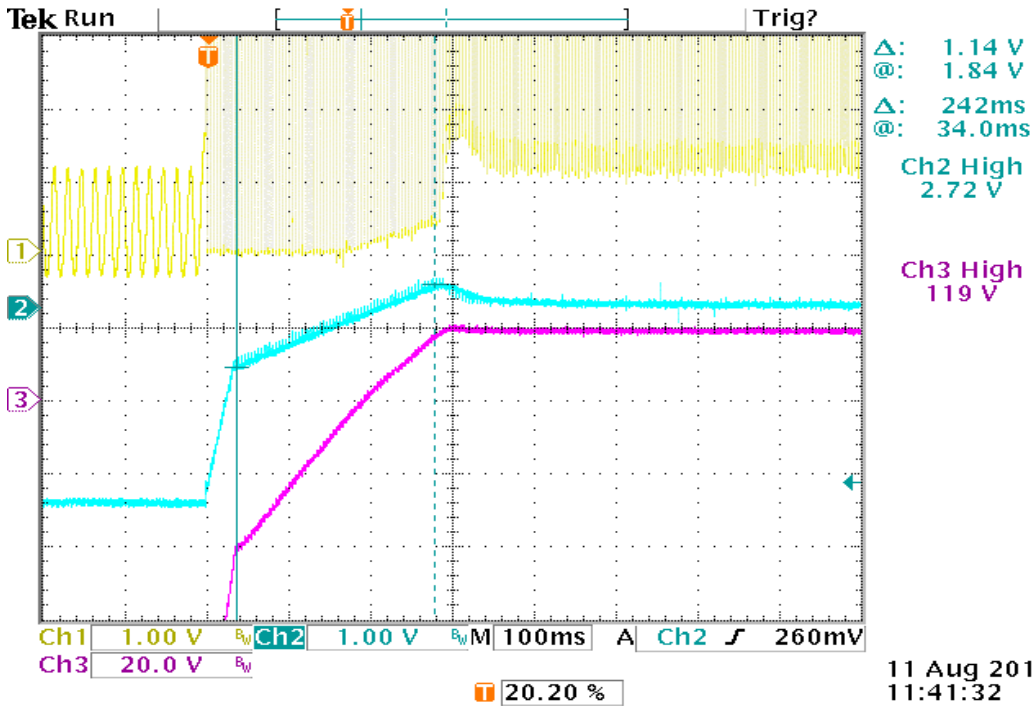
Start Up

When V_{IN} is applied, the internal 12V and 5V linear regulators and the bias voltage and current generators turn on. When all the regulators and bias voltages have stabilized above their respective UVLO thresholds, the LX23214 is ready to drive the LED strings. When the V_{IN_UVLO} and EN_BLU rising thresholds are met, the LX23214 starts switching at the DC/DC converters.

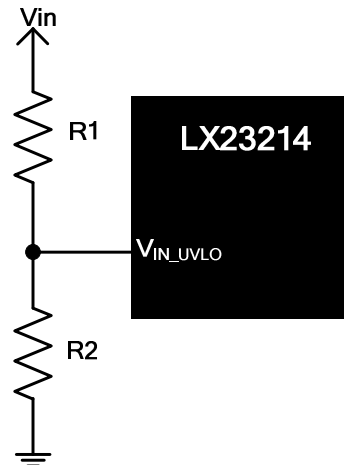
When the OVP voltage is below the V_{ST} voltage, the DC/DC converter will be continuously enabled. This allows the boost or flyback voltage to charge up quickly with no dependency on the PWM duty cycle. Above the V_{ST} voltage, the DC/DC converter switches only when the PWM signal is asserted. The V_{ST} voltage should be selected so that it is as high as possible but always lower than the normal boost or flyback voltage range. This will give the quickest start up performance.

PRODUCTION DATASHEET

Here is a picture of the start-up sequence at 10% PWM duty cycle. Channel 1 is the NFET drain voltage, channel 2 is the COMP1 voltage, and channel 3 shows the boost1 voltage.


Input under Voltage Lock out Circuit (V_{IN_UVLO})

Input UVLO prevents the LX23214 from starting up in case the V_{IN} input voltage is lower than a user defined threshold. Connect a voltage divider on the DC/DC input voltage and set it according to the minimal requested system operating input voltage.


Figure 4: V_{IN_UVLO} Connection Example

LED Mosfet Drain Voltage Measurements

For each pair of LED strings, the LX23214 regulates the DC/DC output voltage so that the lowest MOSFET drain voltage matches the target value as set by VD_REF pin. This target voltage should be selected so that the LED MOSFETs remain in their saturated region. Keeping this voltage as low as possible maximizes the system's power efficiency.

The LED MOSFET drain voltages are monitored through blocking diodes or blocking NFETs to protect the LX23214 from excessive voltages. ~90μA is sourced from each of the VD1-4 pins to bias external blocking diodes. If a blocking diode is used, then the voltage at the VD1-4 pins will be one diode drop above the actual LED MOSFET drain voltage. This voltage drop can be compensated for by raising VD_REF pin by a matching diode voltage drop.

A comparator determines which of the two drain voltage is lowest (V_{DMIN}). That voltage is then routed to the DC/DC error amplifier. The DC/DC control loop works to keep V_{DMIN} equal to VD_REF.

Power/Thermal Conditions

The maximum LED current depends on heat sink capabilities of the external LED's MOSFETs and the allowable temperature rise.

PWM Dimming Control

LED PWM dimming can be controlled by digital PWM signals at DIGITAL_DIM1 and 2 or by an analog control voltage at ANALOG_DIM. The dimming mode is determined by the M0 pin as shown in the following table:

Pin M0	Mode	Remarks
0	Analog In +	0V => 4% 2.5V=> 100% DC = $V_{ADIM} < *38.1 + 4.05$ With ADIM_LTH = 0V
NC	Digital Direct	LED current is directly enabled by the DIGITAL_DIM inputs.

Analog PWM dimming compares the ANALOG_DIM voltage with a triangle wave which runs at four times the desired PWM frequency. The triangle wave has a peak of 2.5V and a valley of -0.125V when ADIM_LTH is at 0V. The ADIM_LTH pin allows easy control of the minimum duty cycle by adjusting the valley voltage of the triangle wave. The valley voltage will be ADIM_LTH – 0.125V. Changing the valley voltage also changes the triangle wave frequency since the frequency is inversely proportional to the amplitude.

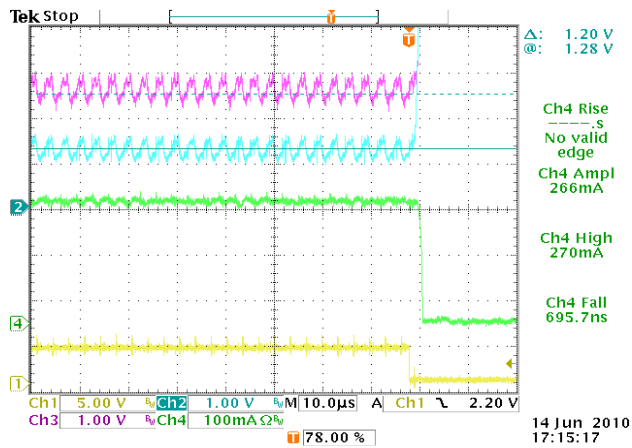
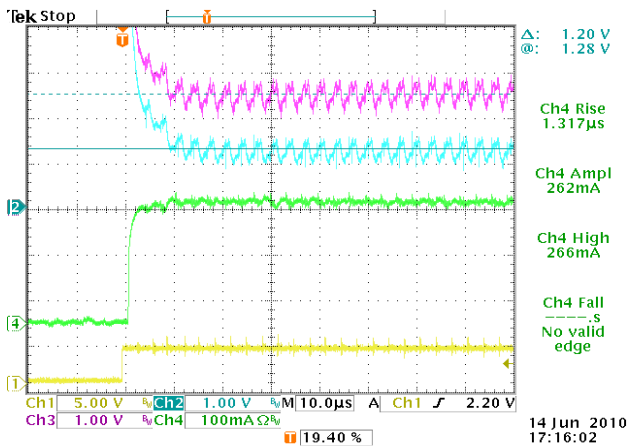
In digital direct mode, the LED PWM signal exactly matches the digital input at DIGITAL_DIM1/2. DIGITAL_DIM1 controls strings 1 and 2. DIGITAL_DIM2 controls strings 3 and 4. No filtering or synchronization occurs in this mode. The ANALOG_DIM, R_PWM, C_PWM, and ADIM_LTH pins should be left open in digital direct mode.

LED string current control

The LED string NFET is controlled by the LED_STR pin so that the voltage at the LED_ISNS pin is 350mV when a given string is enabled. At the rising edge of the PWM signal, the LED_STR pin is quickly charged up to turn on the LED NFET. When the PWM signal is deasserted, the LED_STR pin is quickly discharged to 0V.

When the LED string is turned on, the NFET drain voltage quickly drops from the boost voltage to around 1V. It can take up to 20 μ S for the drain voltage to stabilize. It also takes around 3 to 4 PS clock periods for the boost inductor to charge to its steady state value. For this reason, a 10 μ S blanking period is used at the leading edge of the PWM signal to keep the drain voltage control loop from being disturbed. For the same reason, it is recommended that the minimum PWM pulse be greater than 20 μ S.

Here are pictures showing the beginning and end of a digital PWM pulse. Channel 1 = DIGPWM, Channel 2 = V_{drain1}, Channel 3 = V_{drain2}, Channel 4 = LED String 2 current. These pictures show how the minimum drain voltage is regulated to about 1V. The ripple on the drain voltage is due to the ESR ripple from the boost power supply. The high impedance nature of the LED current source works to reject this voltage ripple from affecting the LED string current.



DC/DC boost controller

The LX23214 DC/DC boost converters operate at a constant frequency with peak current control. The minimum output pulse width is 100nS. Once started, the output pulse will terminate immediately when any of the following events occur:

- The DC_ISNS voltage crosses 200mV.
- The DC_ISNS voltage plus the artificial slope compensation crosses the DC/DC comparator control voltage (V_c). V_c is derived from the COMP pin via a level shift and a 5:1 attenuator.
- Maximum duty cycle has been reached. In boost mode, the maximum duty cycle is set to 90%.

PS Switching Frequency Set (PS_OSC)

DC/DC switching frequency and operation mode are set by a resistor at PS_OSC pin. Frequency can be programmed from 100 kHz to 300 kHz.

R_{osc}	DC/DC FREQUENCY	IC MODE
$95.3K\Omega \geq R_{PS-OSC} \geq 30.1K\Omega$	$100kHz \leq f_{OSC} \leq 300kHz$	Asynchronous or Master mode
open	Not applicable	Slave mode

Note: To disable DC/DC oscillator for synchronizing it with another LX23214 functioning as a "Master", R_{PS-OSC} should be left open (see PS_SYNC/CLK pin description).

PS Clock Synchronization (PS_SYNC/CLK)

The PS_SYNC/CLK input/output is used to synchronize DC/DC converters between two LX23214 drivers within a single system.

When using two LX23214s, the DC/DC power supplies can operate in asynchronous and synchronous modes.

- Asynchronous mode – The PS_OSC frequency is not synchronized between ICs.
- Synchronous mode – One LX23214 (master) generates the PS clock for the other LX23214 (slave).
Master setup: PS_OSC resistor set for the required frequency.
Slave setup: PS_OSC resistor not connected.
PS_SYNC line should be connected between the two LED LX23214s.

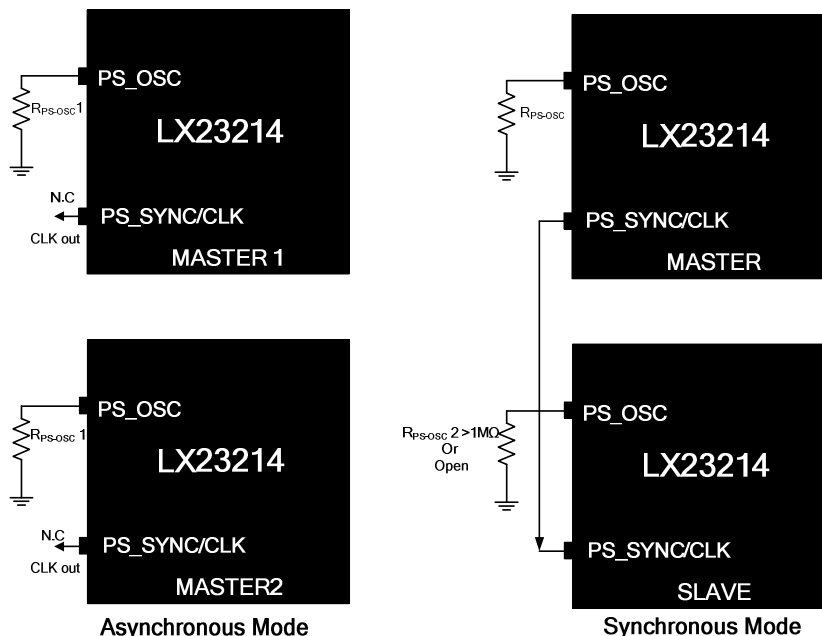


Figure 5: PS Asynchronous/synchronous Mode

DC/DC Start Up

There are two start up modes: Normal (slow) and Accelerated.

In Normal (slow) mode, start up time is a function of LED BL Dimming frequency and duty cycle, since LED PWM modulates DC/DC ON time.

In Accelerated mode, DC/DC starts up in open loop and operates in this mode until DC/DC voltage reaches about 80% of LED voltage (user selected). This value is programmed by a resistor connected to V_{ST} . After reaching this threshold, start up continues in normal mode, whereas DC/DC ON is modulated with PWM.

If V_{ST} pin is connected to ground, DC/DC starts up in a normal mode.

Accelerated mode significantly reduces the startup time difference, especially when LED's dimming is working in low duty cycle.

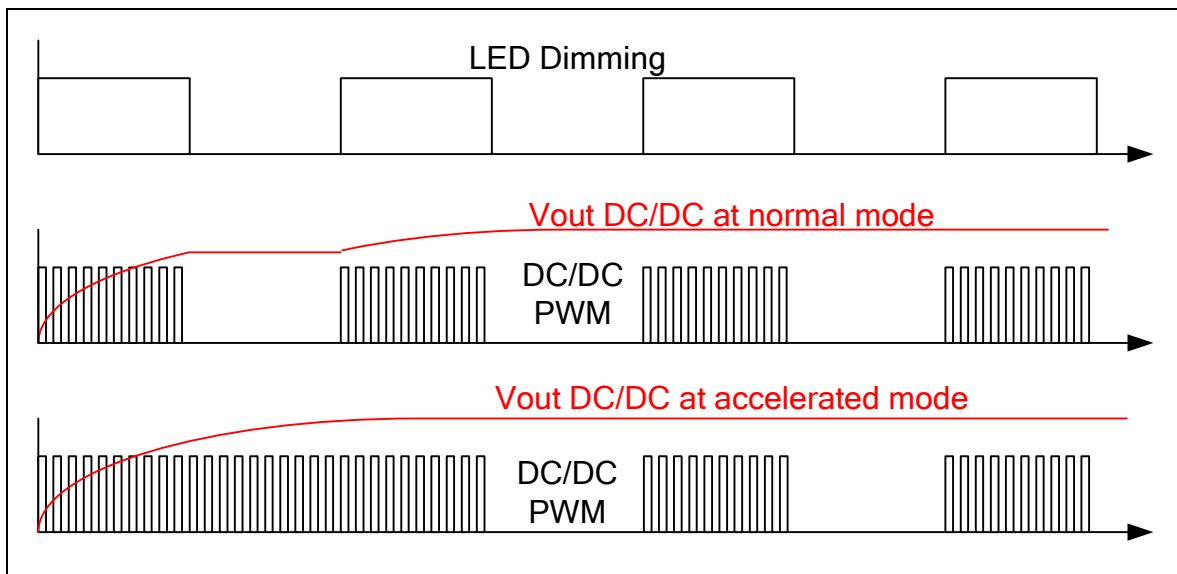


Figure 6: Normal/Accelerated Mode

Fault Detection and Protection

LX23214 detects and protects against the following fault conditions:

- Over Voltage Protection of DC/DC #1 (sampled on OVP1)
- Over Voltage Protection of DC/DC #2 (sampled on OVP2)
- LED Short Circuit of Channel #1 (sampled on VD1)
- LED Short Circuit of Channel #2 (sampled on VD2)
- LED Short Circuit of Channel #3 (sampled on VD3)
- LED Short Circuit of Channel #4 (sampled on VD4)
- Open LED of Channel #1 (sampled on VD1)
- Open LED of Channel #2 (sampled on VD2)
- Open LED of Channel #3 (sampled on VD3)
- Open LED of Channel #4 (sampled on VD4)
- V_{in} under voltage (sampled on V_{IN_UVLO})
- IC Thermal Protection

LED short circuit conditions are detected by monitoring the LED MOSFET drain voltages when the string current is enabled. When the difference between the drain voltages for a LED string pair (VD1-VD2 or VD3-VD4) exceeds the level of four times the voltage at SCD pin, a short circuit event is declared. This differential voltage approach makes the short circuit detection immune to the DC/DC boost voltage.

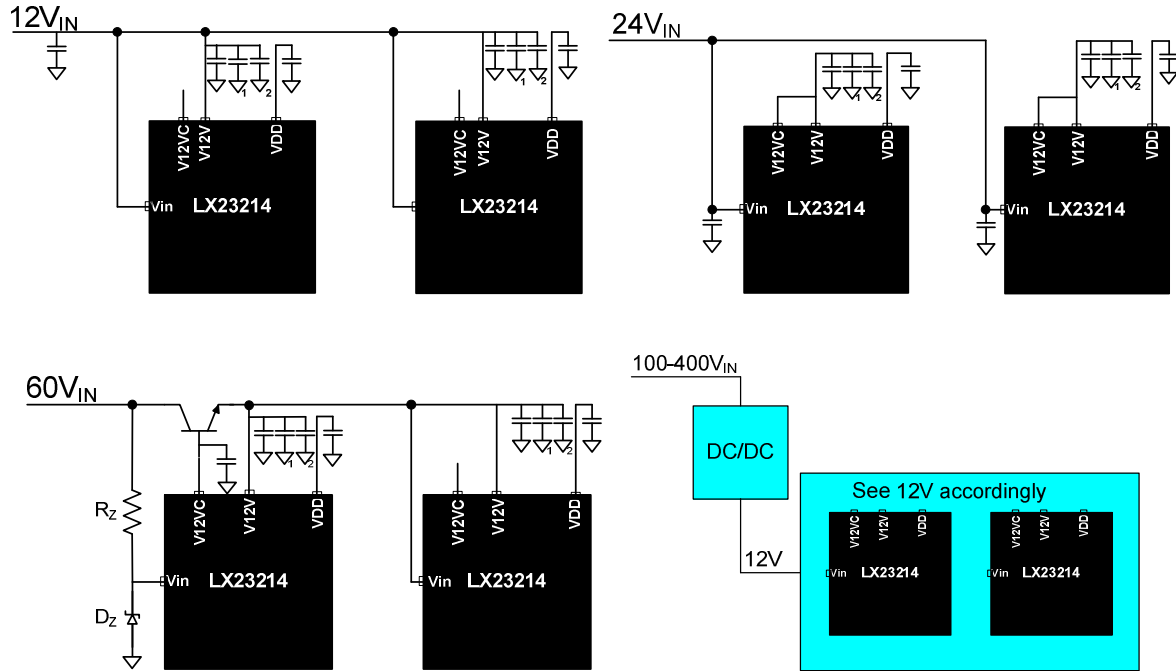
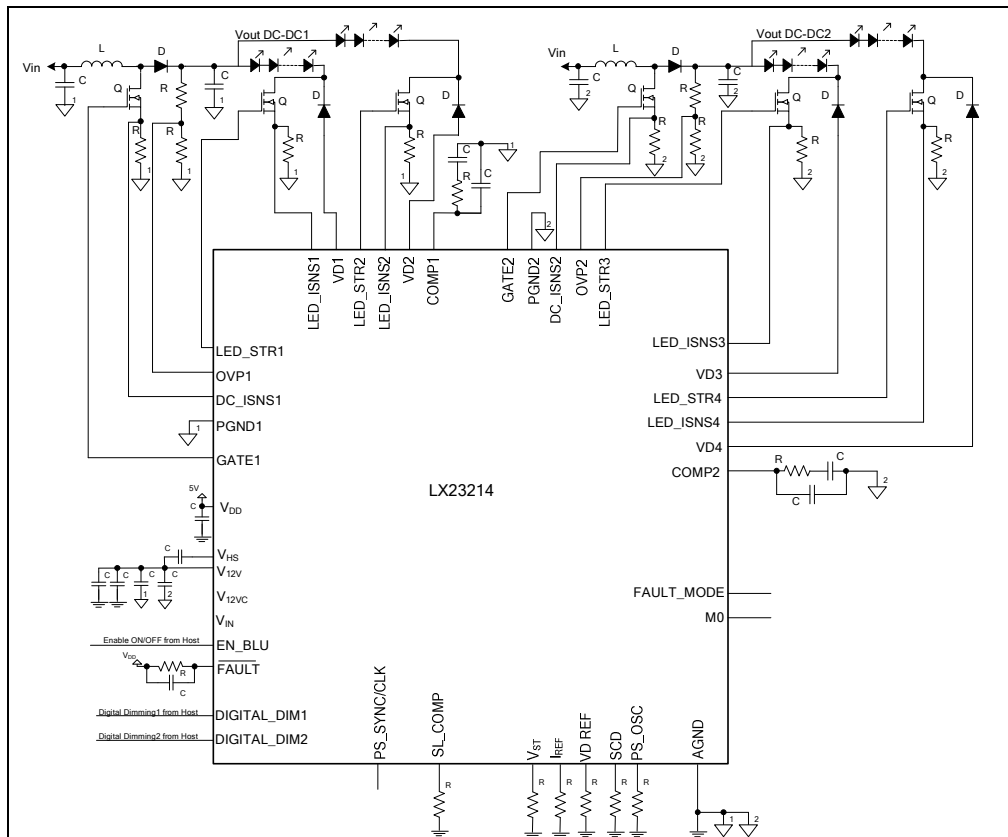
LED open circuit conditions are detected by a combination of OVP pin and VD pins. When a LED string is open, the corresponding VD voltage changes to 0V. This causes the DC/DC loop to pump up the boost voltage. The high boost voltage will most likely cause the drain voltage of the non-open string to rise above short circuit detection level. This will cause a short circuit event to be declared. If both LED strings are open, the boost voltage will rise until it hits OVP protection threshold and an OVP event is declared.

There are three different fault modes, as described in Table 1.

Table 1: Fault Modes

PIN FAULT_MODE	MODE	ACTION	REMARKS
NC (Floating)	Hiccup Fault Mode	Turns off DC/DC that supplies faulty string. Wait for external hiccup capacitor charge to rise to predetermined level and turn on DC/DC	Both channels of the specific DC/DC turn off
0 (AGND)	Latch off Fault Mode	Turns off DC/DC that supplies the faulty string	DC/DC resumes normal operation after toggling EN_BLU or power reset
1 (V_{DD})	Notify Fault Mode	Activates fault signal, DC/DCs are not affected	

Thermal and V_{IN_UVLO} shutdown faults turn off the LED strings until the fault condition is cleared. The FAULT pin is asserted for the duration of the fault condition.

PRODUCTION DATASHEET
Typical Powering Schemes

Figure 7: Powering Diagram

Figure 8: Typical Application Diagram

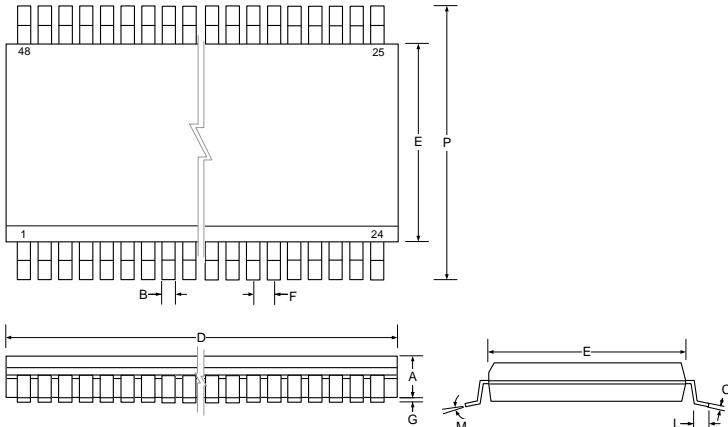


PRODUCTION DATASHEET

PACKAGE DIAGRAM

DB

48-Pin Small Shrink Outline Package (SSOP)



Dim	MILLIMETERS		INCHES	
	MIN	MAX	MIN	MAX
A	2.18	2.39	0.086	0.094
B	0.20	0.35	0.008	0.014
C	0.13	0.25	0.005	0.010
D	15.75	16.00	0.620	0.630
E	7.39	7.60	0.291	0.299
F	0.635 BSC		0.025 BSC	
G	0.23	0.38	0.009	0.015
L	0.51	1.02	0.02	0.040
M	0°	8°	0°	8°
P	10.16	10.41	0.400	0.410
*LC	—	0.10	—	0.004

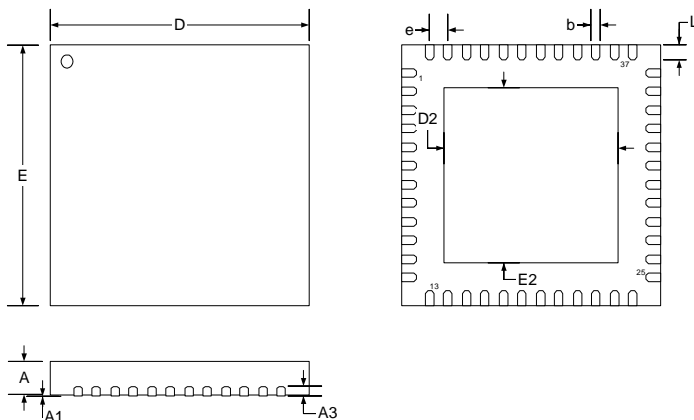
*Lead Coplanarity

Note:

- Dimensions do not include mold flash or protrusions; these shall not exceed 0.155mm(.006") on any side. Lead dimension shall not include solder coverage.

LQ

48-Pin 7x7 mm QFN



Dim	MILLIMETERS		INCHES	
	MIN	MAX	MIN	MAX
A	0.80	1.00	0.031	0.039
A1	0	0.05	0	0.002
A3	0.20 REF		0.008 REF	
b	0.18	0.30	0.007	0.012
D	7.00 BSC		0.276 BSC	
D2	5.00	5.25	0.197	0.207
E	7.00 BSC		0.276 BSC	
E2	5.00	5.25	0.197	0.207
e	0.50 BSC		0.020 BSC	
L	0.30	0.50	0.012	0.020

Note:

- Dimensions do not include protrusions; these shall not exceed 0.155mm(.006") on any side. Lead dimension shall not include solder coverage.



PRODUCTION DATASHEET

The information contained in the document is PROPRIETARY AND CONFIDENTIAL information of Microsemi and cannot be copied, published, uploaded, posted, transmitted, distributed or disclosed or used without the express duly signed written consent of Microsemi. If the recipient of this document has entered into a disclosure agreement with Microsemi, then the terms of such Agreement will also apply. This document and the information contained herein may not be modified, by any person other than authorized personnel of Microsemi. No license under any patent, copyright, trade secret or other intellectual property right is granted to or conferred upon you by disclosure or delivery of the information, either expressly, by implication, inducement, estoppels or otherwise. Any license under such intellectual property rights must be approved by Microsemi in writing signed by an officer of Microsemi.

Microsemi reserves the right to change the configuration, functionality and performance of its products at anytime without any notice. This product has been subject to limited testing and should not be used in conjunction with life-support or other mission-critical equipment or applications. Microsemi assumes no liability whatsoever, and Microsemi disclaims any express or implied warranty, relating to sale and/or use of Microsemi products including liability or warranties relating to fitness for a particular purpose, merchantability, or infringement of any patent, copyright or other intellectual property right. The product is subject to other terms and conditions which can be located on the web at <http://www.microsemi.com/legal/tnc.asp>

Revision History

Revision Level / Date	Para. Affected	Description
0.1 / Dec 2010		Preliminary Release
1.0 / July 2011		Release to Production
1.1 / July 2011		Adjust specs
1.2 / April 2012		Adjust specs after changes in digital block

© 2012 Microsemi Corp.

All rights reserved.

For support contact: sales_AMSG@microsemi.com

Visit our web site at: www.microsemi.com

Catalogue Number: DS_LX23214